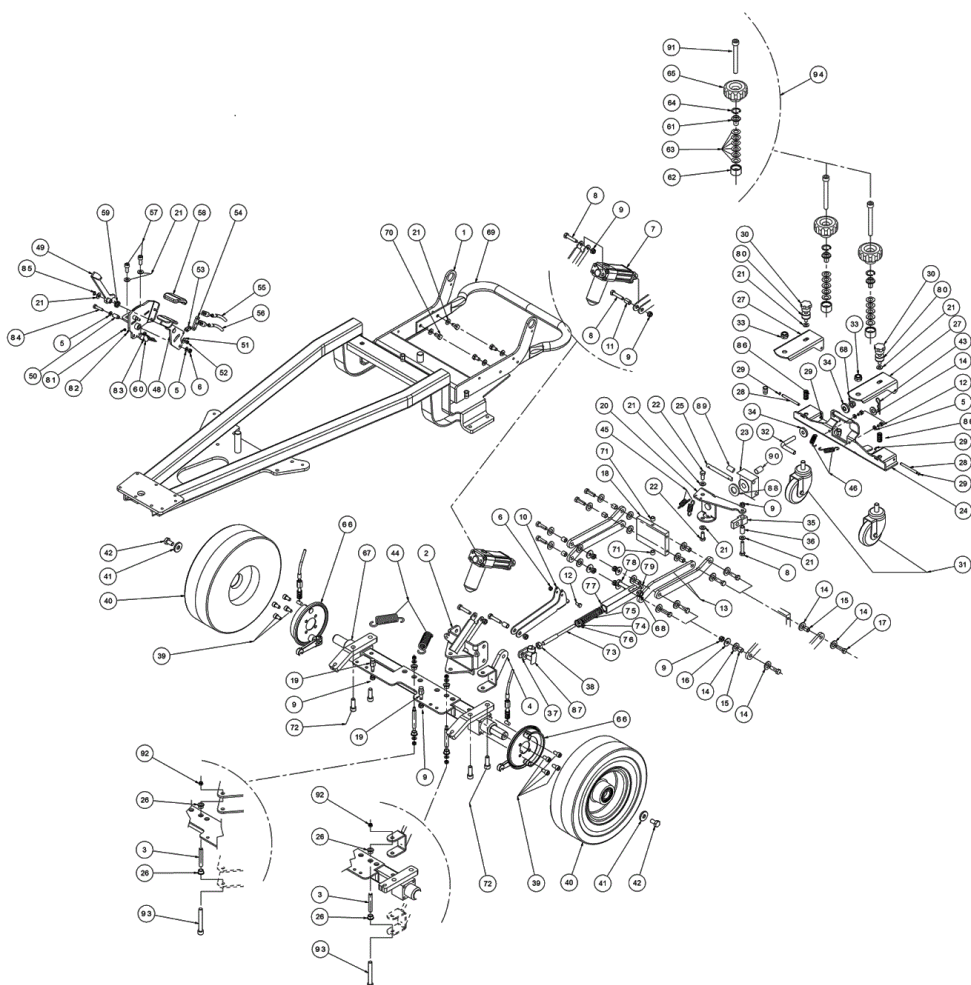


Spare Parts List

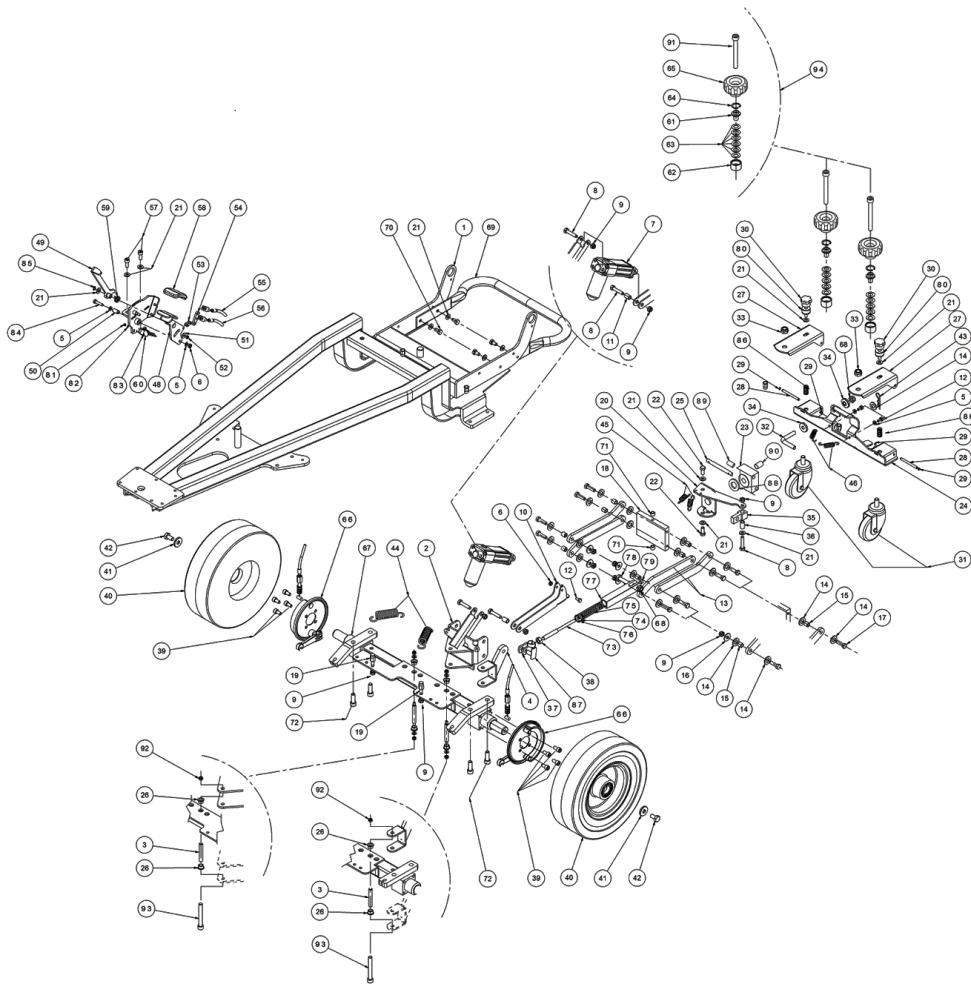


Ref: LPTB01333

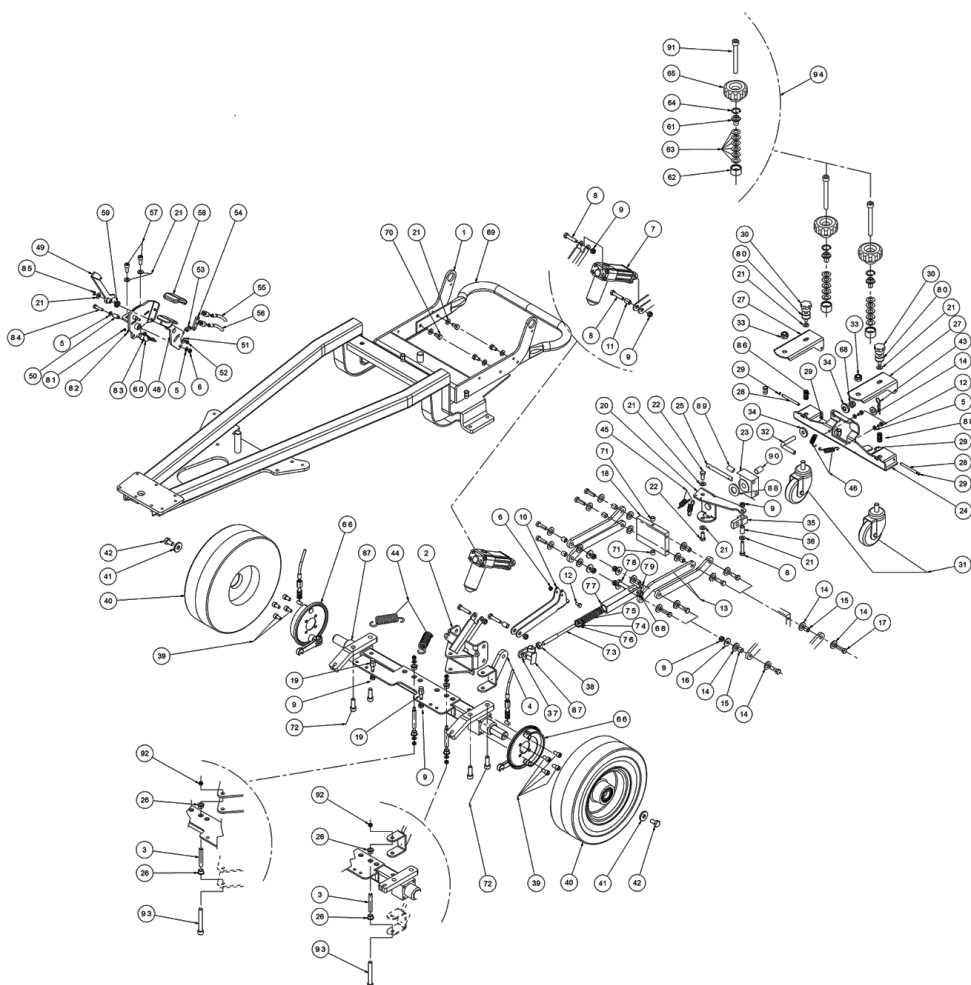
Model: CLEANTIME 160 BT 95 GRIGIO/VERDE



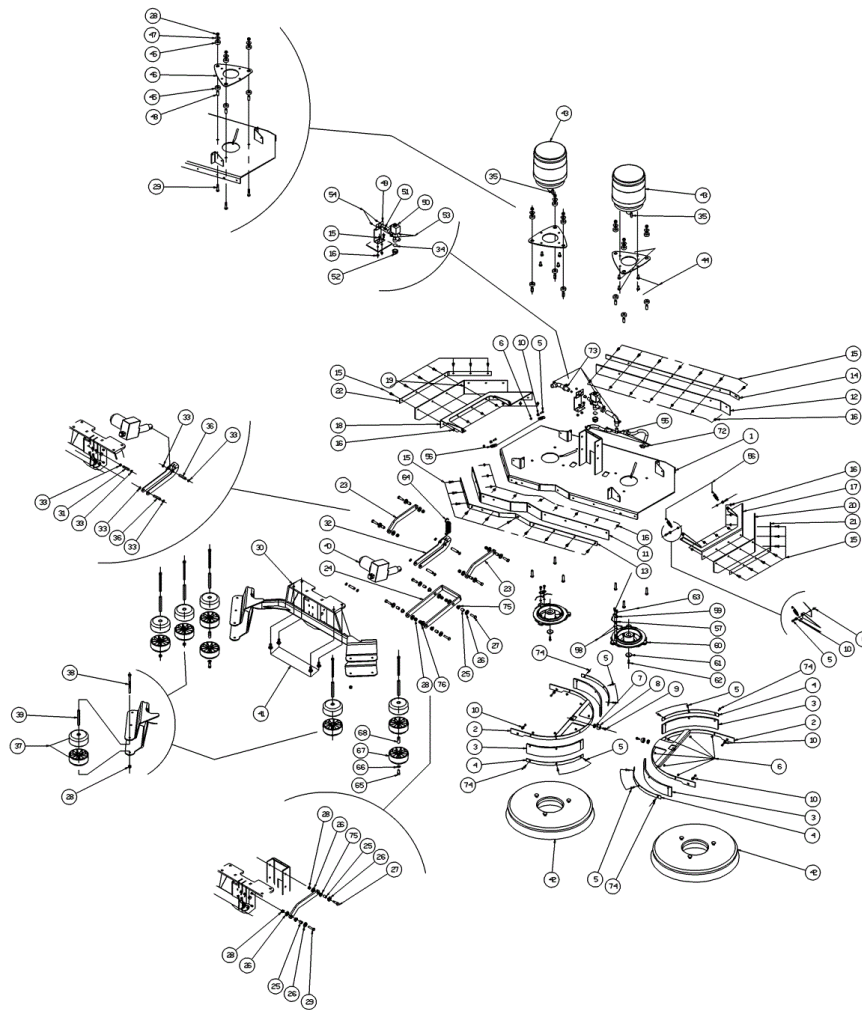
Ref.	K	Part N.	Customer Part N.	Description	Qty	Validity:		Price
						From	To	
0001		LAFN05790		FRAME COMPLETO CLT160	1,00			--
0002		LAFN05780		ARTICULATION PORTATERGI	1,00	05/2004		--
0003		LAFN07879		BUSHING -	2,00	07/2012		--
0003		LAFN04138		PIN PARALLELOGRAMMO	2,00		07/2012	--
0004		LAFN05778		ASSEMBLED C SNODO ORIZZONTALE	1,00			--
0005		VTRS00503		WASHER D. 6 TE UNI 6798	8,00			--
0006		VTDD00010		NUT AUTOBLOK DIN 985 M6 BASSO	6,00			--
0007		MOCC00139		ATUATOR TERGI AO-01M	1,00		05/2006	--
0007		MOCC00303		ATUATOR TERGI AO-01M	1,00	06/2006	10/2011	--
0007		MOCC00394		ATUATOR	1,00	10/2011		--
0008		VTVT00708		SCREW TE M. 8-40	3,00	05/2004		--
0009		VTDD01695		NUT M 8 INX	9,00	06/2005		--
0010		LAFN05777		LEVER SOLLEVAMENTO TERGI	1,00	05/2004		--
0011		LAFN04139		SPACER SNODO TERGI	1,00	05/2004		--
0012		VTVT15906		SCREW TE 6X 12 A2 UNI 5739	4,00	05/2004		--
0013		LAFN05779		ARM PARALLELOGRAMMA	4,00	05/2004		--
0014		VTRS15978		WASHER D.12X24 UNI 6592 INX	17,00	05/2005		--
0015		LAFN04151		BUSHING X PARALLELOGRAMMA	8,00	07/2004		--
0016		VTRS13946		WASHER D. 8 X24 INX UNI 6593	4,00			--
0017		VTVT13937		SCREW TE M 8X 30 INX UNI 5739	8,00	05/2004		--
0018		LAFN04125		PLATE TESTATA PARALLELOGR.	1,00	05/2004		--
0019		LAFN04143		PIN FISSA MOLLA	2,00			--
0020		LAFN05776		ASSEMBLED SNODO FINALE	1,00	05/2004		--
0021		VTRS13947		WASHER D. 8 INX UNI 6592	24,00	05/2004		--
0022		VTVT13938		SCREW TE 8X20 UNI5739 INX	2,00			--
0023		LAFN04122		ARTICULATION POSTERIORE	1,00	05/2004		--
0024		LAFN05775		ASSEMBLED PORTATERGI	1,00	05/2004		--
0025		LAFN04123		PIN SUPPORTO TERGI P.185	1,00	05/2004		--
0026		CUVR00130		BEARING STRISCIAMENTO	4,00	07/2012		--
0026		CUVR00139		BUSHING SITERIZZATA	4,00		07/2012	--
0027		LAFN08993		ARM PORTARUOTA TERGI P185	2,00	06/2011		--
0027		LAFN05809		ARM PORTARUOTA TERGI P185	2,00	05/2004	06/2011	--
0028		LAFN04150		PIN BRACCIO RUOTA TERGI P185	2,00	05/2004		--
0029		VTAE48552		CIRCLIP D. 6 UNI 7435	4,00	05/2004		--
0030		VTVR00534		HANDWHEEL 8MAX20 D.40	2,00			--
0031		RTRT00303		WHEEL PORTA TERGI P185	2,00	05/2004		--
0032		LAFN04135		REGISTER CAMPANATURA TERGI	1,00	05/2004		--
0033		VTDD00176		NUT M.12 INOX A2 BASSO AUTOB.	2,00	05/2004		--
0034		LAFN04136		KNOB REGISTRO TERGI	2,00	05/2004		--



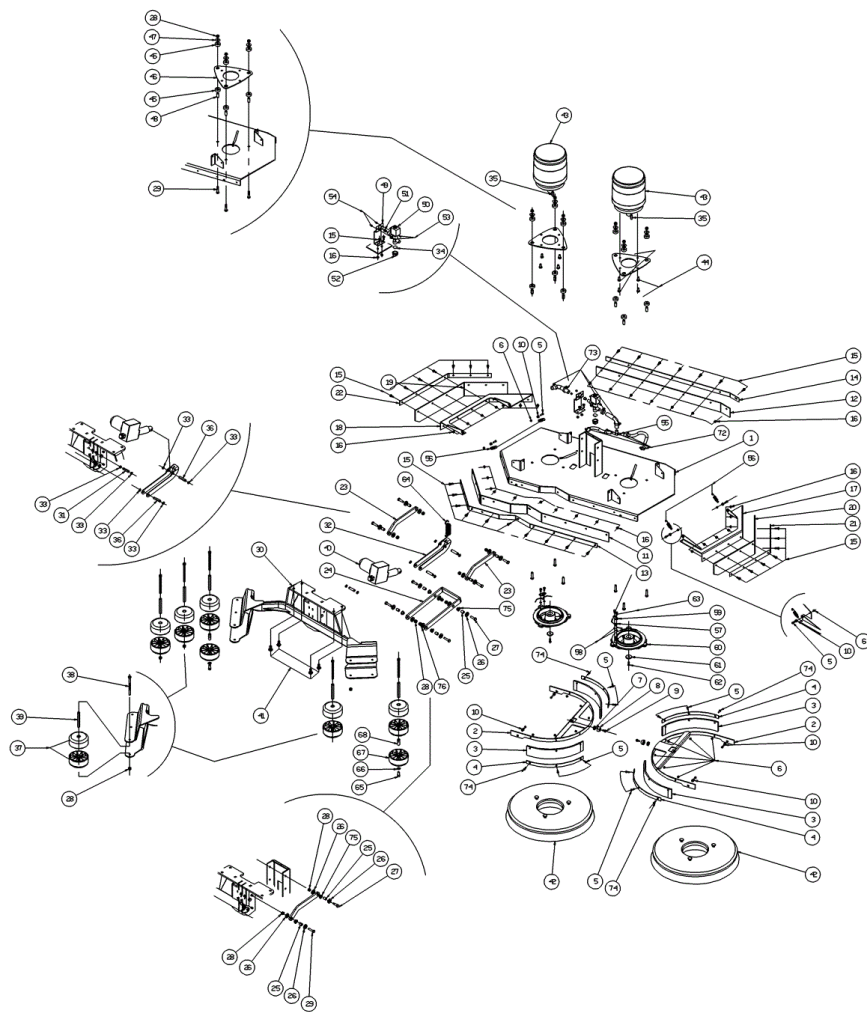
Ref.	K	Part N.	Customer Part N.	Description	Qty	Validity:		Price
						From	To	
0035		LAFN04124		BLOCK SNODO PARAL ORIZ	1,00	05/2004		--
0036		LAFN04158		SPACER PARALL.LATER.TERGI P185	1,00	05/2004		--
0037		CMCV00314		FORK M.10 CPL.CLIP	1,00			--
0038		VTDD00154		NUT M.10 INOX A2	1,00			--
0039		VTVT00876		SCREW TCEI M.8-16	8,00	04/2005		--
0040		RTRT00301		WHEEL REAR D.306 4.00-4 CT160	2,00			--
0041		LAFN04144		WASHER RUOTE POSTERIORI	2,00			--
0042		VTVT13936		SCREW TE M 10X 20	2,00			--
0043		VTVR00226		SPLIT PIN ELASTICA D2	1,00	05/2004		--
0044		MLML00241		SPRING TESTATA SPAZZOLA P185	2,00			--
0045		MLML00022		SPRING GANCIO ARPIONE	2,00	05/2006		--
0045		MLML00243		SPRING PRESSIONE TERGI P185	2,00	05/2004	05/2006	--
0046		MLML00242		SPRING LIVELLAMENTO TERGI P185	2,00	05/2004		--
0047		LAFN05766		SUPPORT PEDALE CPL	1,00			--
0048		LAFN05767		ASSEMBLED PEDALE FRENO	1,00			--
0049		LAFN05768		PEDALE BLOCCO	1,00			--
0050		LAFN04142		PIN PEDALE FRENO	1,00			--
0051		VTRS15958		WASHER D. 5 X15 UNI 6593	1,00			--
0052		VTDD15517		NUT M 5 INX	1,00			--
0053		MTCR47037		WARP KNITTING 3/8	1,00			--
0054		LAFN05769		BALANCER PER CAVI FRENO	1,00			--
0055		CMCV00311		CABLE FRENO SX	1,00			--
0056		CMCV00310		CABLE FRENO DX	1,00			--
0057		VTVT01351		SCREW M8-20 INOX A2 -70	2,00			--
0058		MPVR45096		RUBBER V 1201 GR.	1,00			--
0059		MLML00237		SPRING RICHIAMO PEDALE B.F. P185	1,00			--
0060		MECI44780		MICROSWITCH D2VW-5L2A-1M OMR	1,00			--
0061		LAFN04121		PIN MOLLE A TAZZA	2,00		02/2012	--
0061		LAFN07939		PLATE XS	2,00	02/2012		--
0062		LAFN04137		CONTAINER MOLLE A TAZZA	1,00			--
0063		MLML00245		SPRING A TAZZA	10,00			--
0064		VTAE13513		CIRCLIP D. 26 UNI 7437	2,00			--
0065		CHVR00500		HANDLE A RIPRESA M8x40	2,00		02/2012	--
0065		VTVR00047		HANDWHEEL D.50 M8	2,00	02/2012		--
0066		RTRT45090		BLOCK BRAKE D.125 TK	2,00	05/2004		--
0067		LAFN07957		AXLE CT160	1,00	07/2012		--
0067		LAFN05792		ASSEMBLED ASSALE POSTERIORE	1,00		07/2012	--
0068		VTDD00151		NUT M.10	1,00	03/2005		--
0069		LAFN06275		TUBE ROLL BAR POSTER.CL160	1,00			--



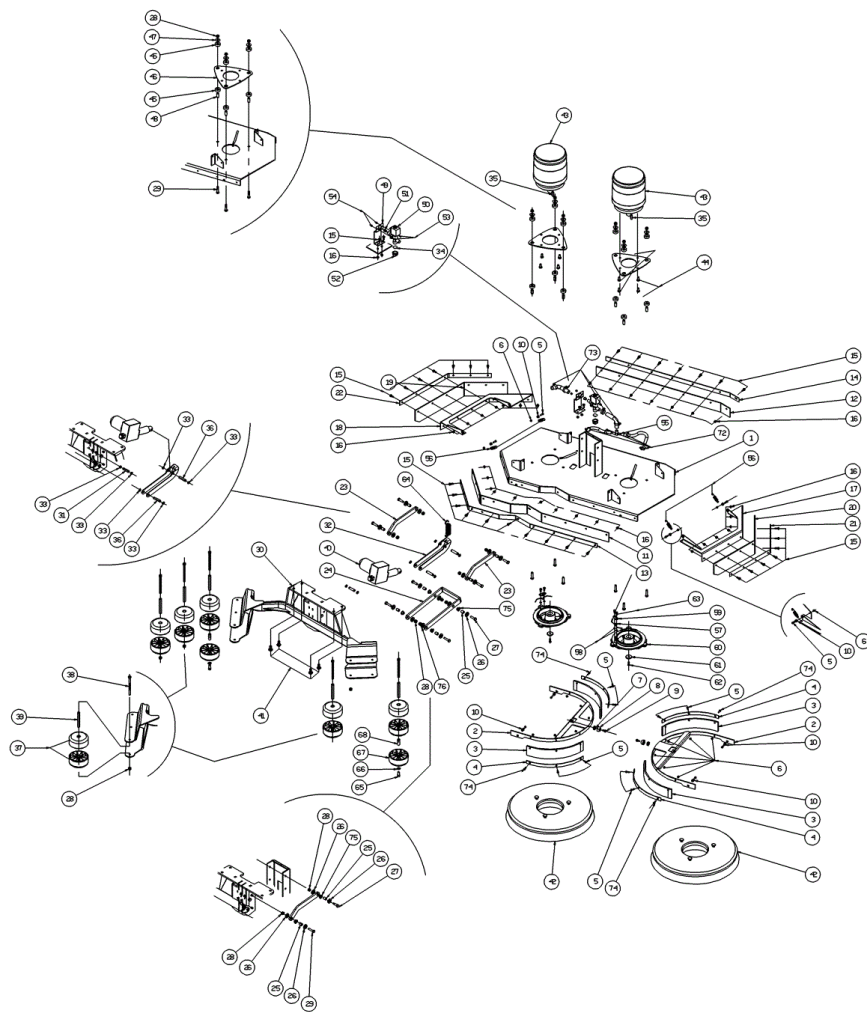
Ref.	K	Part N.	Customer Part N.	Description	Qty	Validity:		Price
						From	To	
0070		VTVT15916		SCREW TE M 8X 16 UNI 5739 A2	4,00			--
0071		LAFN04157		BUSHING SNODO FINALE	2,00	05/2004		--
0072		VTVT00307		SCREW TCEI M10X30	4,00	05/2004		--
0073		LAFN06819		TUBE ADATTATORE MARMITTA	1,00	03/2005		--
0074		LAFN06818		TUBE ADATTATORE MARMITTA	2,00	03/2005		--
0075		MLML00290		SPRING AMMORTIZZATORE TERGI	1,00	03/2005		--
0076		VTAE47053		CIRCLIP D. 20 UNI 7437	1,00	03/2005		--
0077		LAFN06817		TUBE ADATTATORE MARMITTA	1,00	03/2005		--
0078		VTVT01549		SCREW TE M10-40	1,00	03/2005		--
0079		VTVT01314		SCREW TCEI M6 X 12 INOX	1,00	03/2005		--
0080		ABGO00042		VIBRATION DAMP.REGOLAZIONE TERGI CLT160	2,00	06/2005		--
0081		VTDD21115		NUT M 3 INOX	2,00			--
0082		VTRS21116		WASHER D. 3 INX	4,00			--
0083		VTVT01350		SCREW M3-20 INOX	2,00			--
0084		VTVT00433		SCREW TE M 6X 30 UNI 5739 INX	1,00	05/2005		--
0085		VTAE14096		CIRCLIP D. 8 UNI 7435	1,00			--
0086		MLML00239		SPRING PER RUOTE TERGI P185	2,00	05/2004		--
0087		CMCV00007		CLIP X FORCELLA UNI 1676 M10	1,00			--
0088		VTRS00250		WASHER D.14	1,00	05/2009		--
0089		MPVR00011		BUSHING GLYCODUR GLY.PG 10-12-20F	3,00	05/2009		--
0090		MPVR05638		BUSHING GLYCODUR GLY.PG 10-12-20F	1,00	06/2009		--
0091		VTVT01198		SCREW TCEI M8X70	2,00	02/2012		--
0092		VTDD01695		NUT M 8 INX	2,00	07/2012		--
0093		VTVT01148		SCREW TCEI M8X70	2,00	07/2012		--
0094		KTRI02079		KIT SQUEEGEE KNOB CT160 CT230	1,00			--



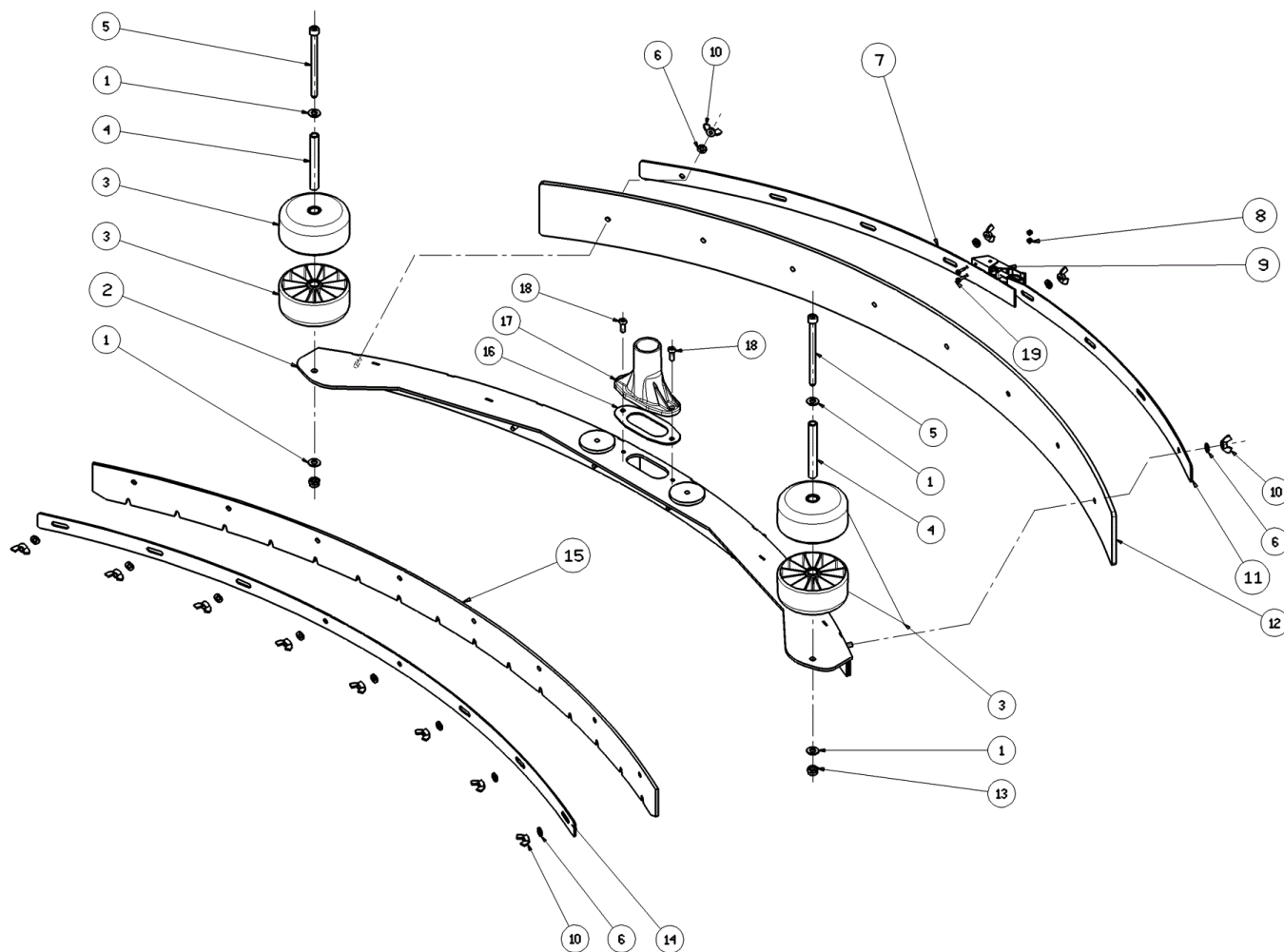
Ref.	K	Part N.	Customer Part N.	Description	Qty	Validity:		Price
						From	To	
0001		LAFN51005		ASSEMBLED SUPP.SPAZZOLE 950	1,00			--
0002		LAFN51004		ASSEMBLED ASSIEME CENTR SPAZZ 950	2,00			--
0003		MPVR51004		FLAP CENTR.SPAZ.TEST.950	4,00			--
0004		LAFN51010		SHEET METAL PA.FISSA FLAP.TEST.ANT. 950	4,00			--
0005		VTVT07725		SCREW TE 5X16 UNI5739 INX	16,00			--
0006		VTDD01693		NUT M 5 INX	16,00			--
0007		CUVR00088		BEARING 626 2RS1	2,00			--
0008		MPVR02895		ROLLER PER CENTRAGGIO SPAZZOLA	2,00			--
0009		VTVT01314		SCREW TCEI M6 X 12 INOX	2,00			--
0010		CUVR00140		BUSHING DI CENTRAGGIO SPAZZOLE	8,00			--
0011		MPVR51008		FLAP ANTERIORE TEST.950	1,00			--
0012		MPVR51005		FLAP POSTER.TEST.950	1,00			--
0013		LAFN51008		SHEET METAL PA.FISSA FLAP.TEST.ANT. 950	1,00			--
0014		LAFN51009		SHEET METAL PA.FISSA FLAP. TEST.POST.950	1,00			--
0015		VTVT15143		SCREW TE 6X16 UNI5739	37,00			--
0016		VTDD01694		NUT M6 INOX	37,00			--
0017		LAFN51060		SHEET METAL PA.PORTAFLAP SX T.950	1,00			--
0018		LAFN51006		SHEET METAL PA.PORTAFLAP DX T.950	1,00			--
0019		MPVR51007		FLAP LATER.DX TESTATA 950	1,00			--
0020		MPVR51006		FLAP LATER.SX TESTATA	1,00			--
0021		LAFN51002		SHEET METAL PA.TEST.SX 950	1,00			--
0022		LAFN51003		SHEET METAL PA.TEST.DX 950	1,00			--
0023		LAFN08911		SPACER 12-8	2,00	10/2010		--
0023		LAFN51007		ARM SUP.PARALLELOG.	2,00		10/2010	--
0024		LAFN08912		ARM SUP./INF.	1,00	10/2010		--
0024		LAFN05782		ARM SUP./INF.	1,00		10/2010	--
0025		LAFN08907		SPACER 12-8	8,00	10/2010		--
0025		LAFN04151		BUSHING X PARALLELOGRAMMA	8,00		10/2010	--
0026		VTRS00312		WASHER D.13 x24 INOX	16,00			--
0027		VTVT13937		SCREW TE M 8X 30 INX UNI 5739	4,00			--
0028		VTDD01695		NUT M 8 INX	19,00	06/2005		--
0029		VTVT00410		SCREW TE M8x35 UNI5739 INOX	10,00			--
0030		LAFN05905		ASSEMBLED ROLL-BAR CLT 950	1,00			--
0031		LAFN51032		PIN SUPP.TESTATA	1,00	04/2005		--
0032		LAFN05781		ARM ATTUATORE	1,00			--
0033		VTAE13511		CIRCLIP D. 10 UNI 7435	6,00			--
0034		GUGO00268		GASKET D.21 SP.3 GOMMA	1,00		10/2011	--
0035		VTVR14052		KEY 8X 7X30 UNI 6604A	2,00			--
0036		LAFN51065		PIN INFER.ATTUAT.TEST.	2,00			--



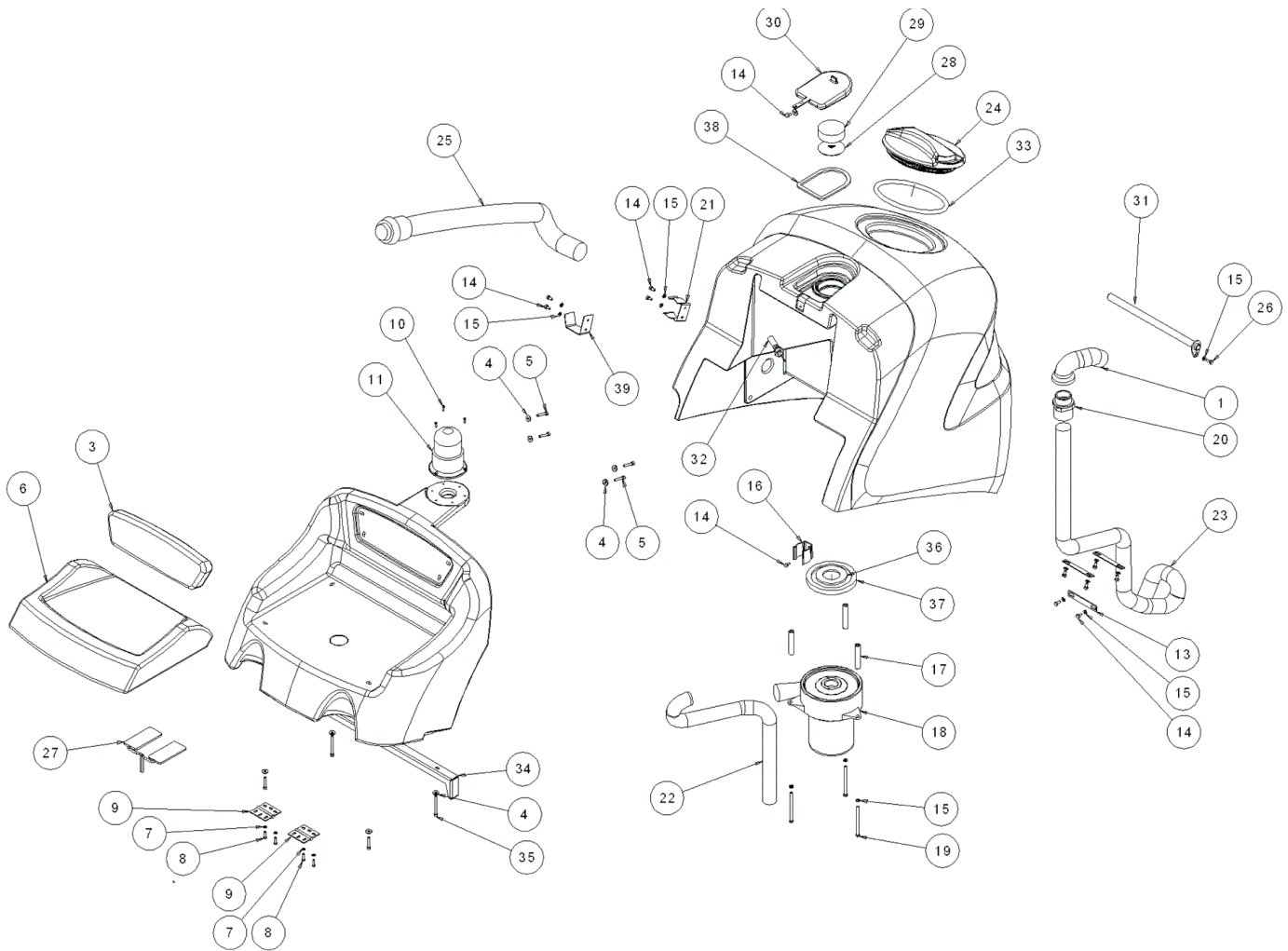
Ref.	K	Part N.	Customer Part N.	Description	Qty	Validity:		Price
						From	To	
0037		MPVR02894		ROLLER PARACOLPI	10,00			--
0038		VTVT67560		SCREW TCEI M8X110 INOX AISI 304	5,00			--
0039		LAFN04127		PIN RULLO PARACOLPI	5,00			--
0040		MOCC00140		ATUATOR TEST.AO1-C 36V	1,00	06/2005	05/2006	--
0040		MOCC00304		ATUATOR TEST.AO1-C 36V	1,00	06/2006		--
0041		VTVT13936		SCREW TE M 10X 20	4,00			--
0042		SPPV08000		BRUSH NYLON 18"	2,00			--
0043		MEVR01044		BRUSH	8,00	07/2010		--
0043		MEVR05203		CARBON CARBONE MOT.AMER.MP02445	8,00		07/2010	--
0043		MOCC00248		MOTOR SPAZZOLE CPL	2,00			--
0044		VTVT15916		SCREW TE M 8X 16 UNI 5739 A2	8,00			--
0045		GUGO00264		WASHER ELASTOMERO	12,00			--
0046		LAFN05785		FLANGE PORTAMOTORE	2,00			--
0047		VTRS16323		WASHER D. 8 X32 UNI 6593 INX	6,00	03/2009		--
0047		VTRS13946		WASHER D. 8 X24 INX UNI 6593	6,00		03/2009	--
0048		LAFN04141		PIN PIASTRA MOTORE	6,00			--
0049		LAFN05835		BRACKET PORTAELETTROVALVOLA	1,00			--
0050		MEEV00043		SOLENOID VALVE	1,00	10/2011		--
0050		MEEV00021		SOLENOID VALVE RIF. D160SS10/K/20Z	1,00		10/2011	--
0051		MPVR02897		REDUCTION D.10-6.5 PER ELETTROVALV.	1,00			--
0052		RCVR00353		CAP 1/2"G X ELETTROV. ACL	1,00		10/2011	--
0053		VTVT00817		SCREW TE M4x12 UNI 5739 INOX	2,00			--
0054		VTDD00147		NUT M 4 INX U.5588	2,00			--
0055		RCVR01711		CONNECTOR T PORTAG.8/10	1,00			--
0056		MLML02801		SPRING FLAP LATER.	4,00			--
0057		MLML00240		SPRING PIATTO SPAZZOLA P185	2,00			--
0058		LAFN04140		SPACER X MOLLA	4,00			--
0059		LAFN05797		PLATE FERMO MOLLA	2,00			--
0060		MFVR00139		DRIVE DISK SPAZZOLE P185	2,00			--
0061		LAFN04146		WASHER FISSA PIATTI	2,00			--
0062		VTVT01313		SCREW TSPEI M.6-20 INOX UNI5933	2,00			--
0063		VTVT15906		SCREW TE 6X 12 A2 UNI 5739	4,00			--
0064		MLML00241		SPRING TESTATA SPAZZOLA P185	1,00			--
0065		VTRS13947		WASHER D. 8 INX UNI 6592	2,00	10/2004		--
0066		VTVT01351		SCREW M8-20 INOX A2 -70	2,00			--
0067		LAFN06472		PIN RUOTA	2,00	10/2004		--
0068		RTRT00502		WHEEL ANTIRIBALTAMENTO	2,00	10/2004		--
0069		TBBP00395		TUBE COMBUSTUBILE L=15 cm	1,00			--
0070		TBBP00396		TUBE COMBUSTUBILE L=15 cm	1,00			--



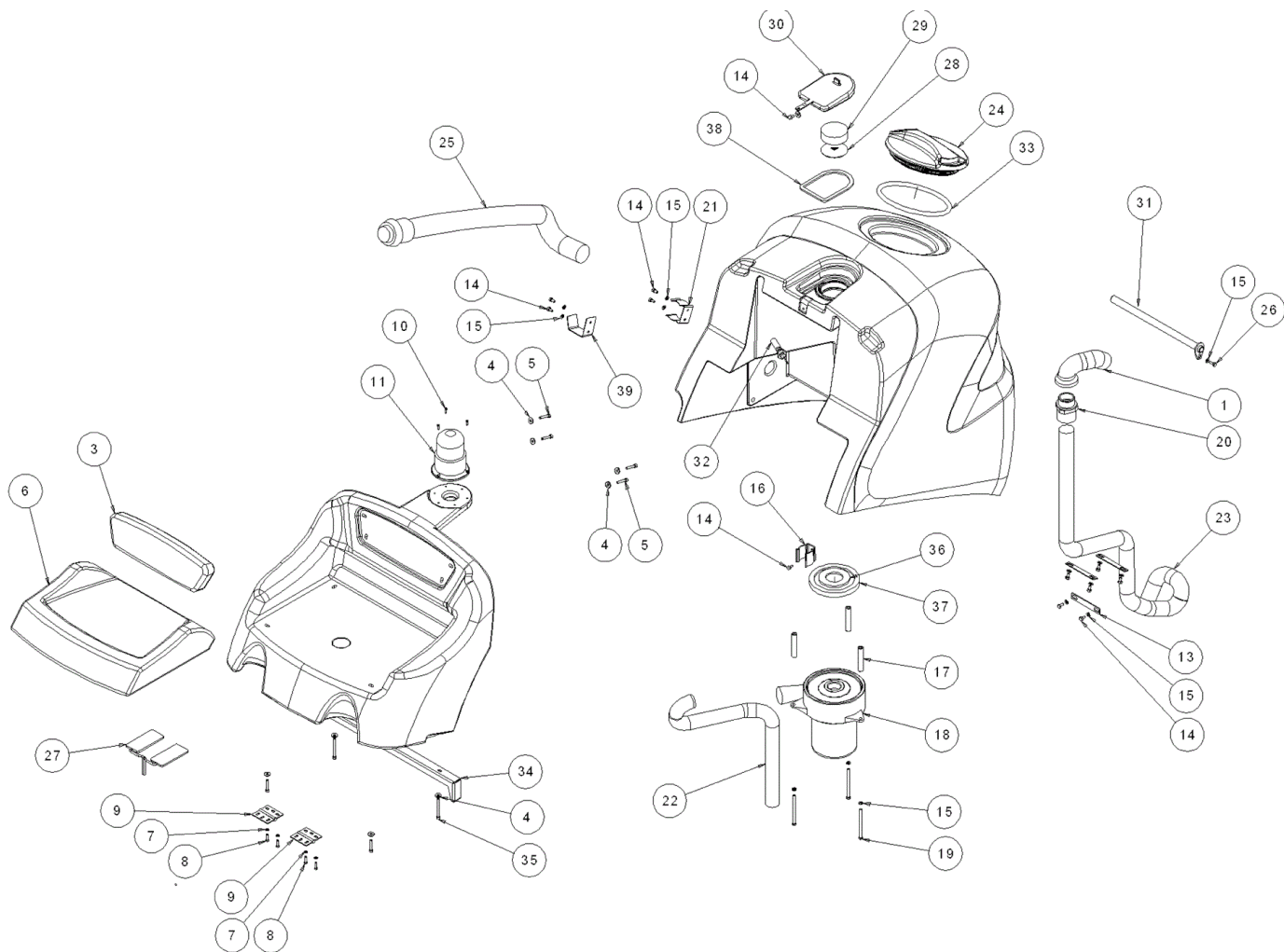
Ref. K	Part N.	Customer Part N.	Description	Qty	Validity:		Price
					From	To	
0071	TBBP00397		TUBE COMBUSTUBILE L=15 cm	1,00			--
0072	FSVR00096		CLAMP 10-16 INOX	4,00			--
0073	FSVR00091		CLAMP 14-24	4,00	04/2005		--
0074	VTVT13941		SCREW M5x16 TSPEI UNI 5933	4,00	05/2005		--
0075	CUVR00130		BEARING STRISCIAMENTO	8,00	10/2010		--
0076	VTRS00376		WASHER 15x21	4,00	10/2010		--



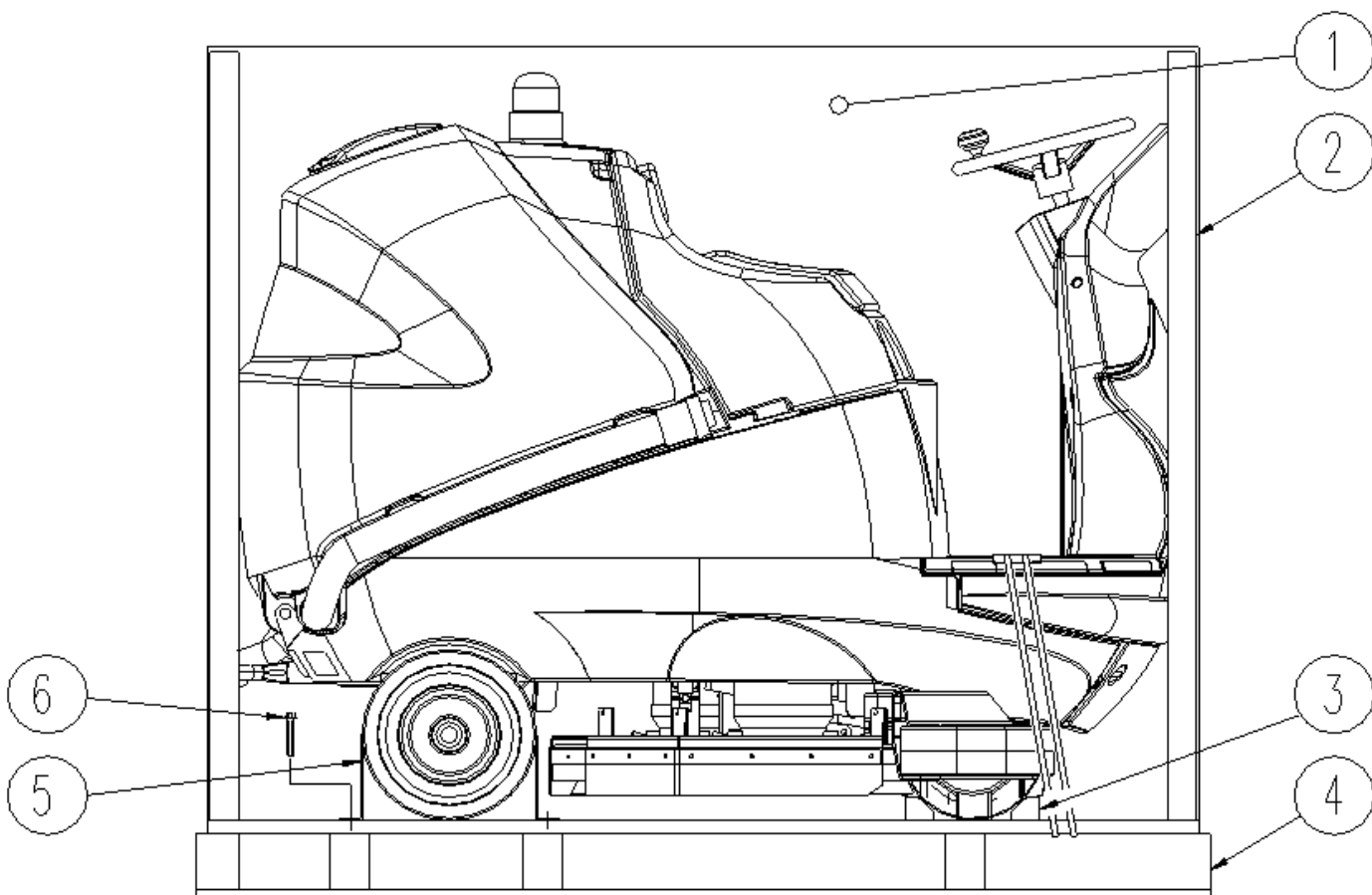
Ref.	K	Part N.	Customer Part N.	Description	Qty	Validity:		Price
						From	To	
0001		VTRS13947		WASHER D. 8 INX UNI 6592	4,00			--
0002		LAFN05913		ASSEMBLED TERGITORE DA 950	1,00			--
0003		MPVR02894		ROLLER PARACOLPI	4,00			--
0004		LAFN04127		PIN RULLO PARACOLPI	2,00			--
0005		VTVT67560		SCREW TCEI M8X110 INOX AISI 304	2,00			--
0006		VTRS00245		WASHER D.6 UNI 6592 INOX	12,00			--
0007		LAFN05916		SHEET METAL PA.FLAP POSTERIORE	1,00			--
0008		VTDD21115		NUT M 3 INOX	2,00	05/2005		--
0009		CHVR00050		CLOSURE A LEVA + GANCIO CLT 160	1,00	07/2004		--
0010		VTDD00171		NUT M6 INOX	12,00	07/2004		--
0011		LAFN05915		SHEET METAL PA.FISSAFLAP POSTER. GANCIO	1,00			--
0012		MPVR51009		BLADE REAR SQUEEGEE CT160-95	1,00			--
0013		VTDD01695		NUT M 8 INX	2,00	06/2005		--
0014		LAFN05914		SHEET METAL PA.FISSAFLAP ANTERIORE	1,00			--
0015		MPVR02850		FLAP ANTERIORE TERGI DA 950	1,00			--
0016		GUGO06700		GASKET SQUEEGEE	1,00			--
0017		MPVR04626		SLEEVE PVC D. 36 MIR.	1,00			--
0018		VTVT00717		SCREW TCEI M. 6-16	2,00			--
0019		VTVT00722		SCREW	2,00	05/2005		--



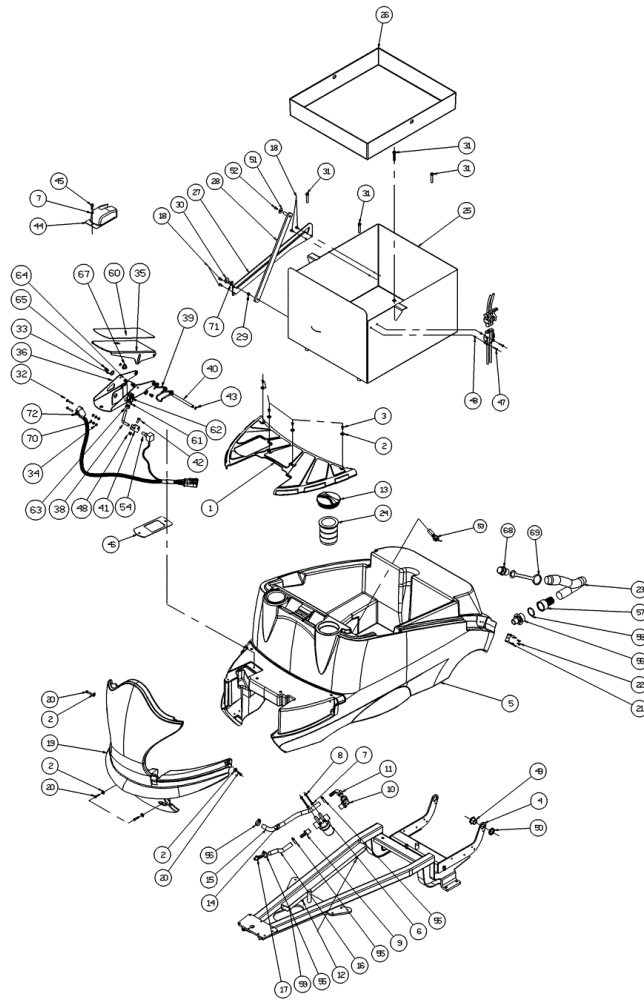
Ref.	K	Part N.	Customer Part N.	Description	Qty	Validity:		Price
						From	To	
0001		PMVR02010		ASSEMBLED CURVA ASP.	1,00			--
0003		SESD00020		SHEET METAL PA.CLEANTIME	1,00			--
0004		VTRS86634		WASHER 6X18X1,5 UNI6593	9,00			--
0005		VTVT00729		SCREW TCEI M. 6-35	6,00			--
0006		SESD00021		SEAT	1,00			--
0007		VTRS00502		WASHER D. 5 0.466 UNI 6592	4,00			--
0008		VTVT00306		SCREW TSPEI M5x12 UNI5933	4,00			--
0009		CEVR00060		HINGE PORTA SEDILE P185	2,00			--
0010		VTVT00752		SCREW TC+ M.4,8-19	3,00			--
0011		MELF00040		FLASHING LIGHT	1,00			--
0011		MEVR01672		LAMP -	1,00			--
0013		LAFN05829		PLATE FERMA TUBO ASPIRAZIONE	3,00			--
0014		VTVT15906		SCREW TE 6X 12 A2 UNI 5739	12,00			--
0015		VTRS00245		WASHER D.6 UNI 6592 INOX	14,00			--
0016		MPVR46988		CLIP LAV. SHK	1,00			--
0017		LAFN04171		SPACER ASPIRATORE P185	3,00			--
0018		MOC00252		MOTOR ASPIR. TRIS. 36V	1,00			--
0019		VTVT00888		SCREW TE M.6-100	3,00			--
0020		RCDS00024		CONNECTOR PORTAGOMMA 1"1/2	1,00			--
0021		FSVR44166		HOSE CLIP D.50	1,00			--
0022		PMVR01141		TUBE USCITA ARIA DA ASPIRATORE	1,00			--
0023		TBFX00280		TUBE ASPIRAZ. CPL P160	1,00			--
0024		MPVR04051		TANK CAP	1,00			--
0025		PMVR01052		GROUP TUBO TIGRATO	1,00			--
0025		TBBP00439		TUBE D.60	1,00	11/2007	11/2007	--
0025		TBBP00485		TUBE DRAIN PU CT160	1,00	09/2012	09/2012	--
0026		VTVT15143		SCREW TE 6X16 UNI5739	1,00			--
0027		MEVR00148		DASHBOARD SEDILE	1,00			--
0028		LAFN05830		NET FERMA FILTRO INOX	1,00			--
0029		FTDP00130		FILTER SERB. RECUPERO P185	1,00			--
0030		MPVR04100		CAP ASPIRAZIONE P185	1,00			--
0031		LAFN05805		CARRYNG BAG	1,00			--
0032		MECI00338		SENSOR DI LIVELLO ORIZZONTALE	1,00		05/2006	--
0032		MECI00400		SENSOR DI LIVELLO ORIZZONTALE	1,00	06/2006	01/2009	--
0032		MECI00516		SENSOR DI LIVELLO ORIZZONTALE	1,00	01/2009		--
0033		GUGO00263		GASKET CIRCOLARE TAPPO	1,00			--
0034		LAFN06824		SPACER L.14	1,00			--
0035		VTVT17342		SCREW TE M 6X 60 UNI 5739 INX	1,00			--
0036		GUGO31051		GASKET LAV.	1,00			--



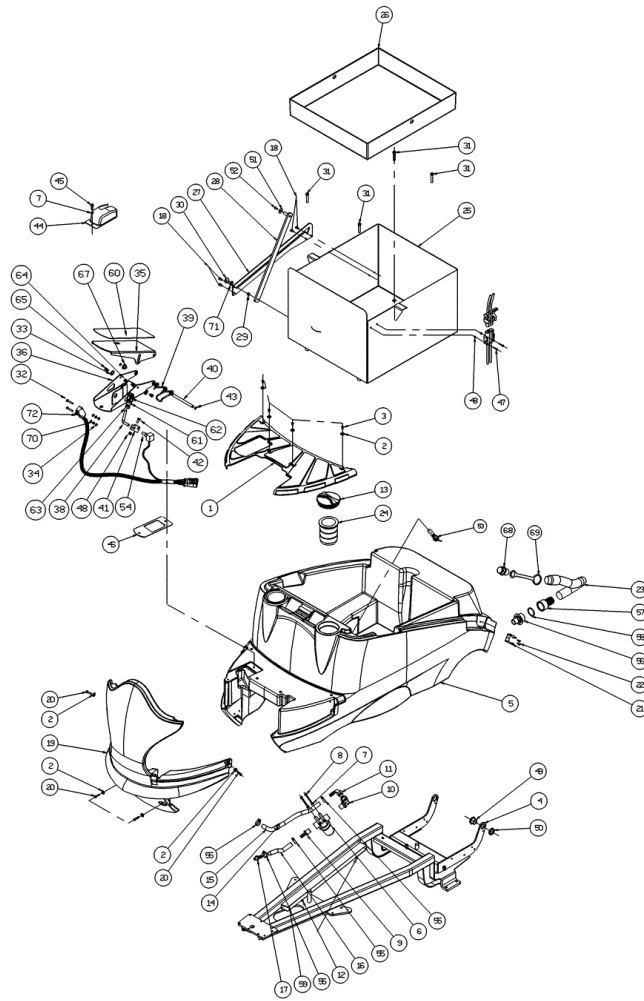
Ref.	K	Part N.	Customer Part N.	Description	Qty	Validity:		Price
						From	To	
0037		GUGO30649		GASKET LAV.DW.	1,00			--
0038		GUGO00306		GASKET TENUTA TAPPO	1,00			--
0039		KTRI01952		KIT -	1,00			--



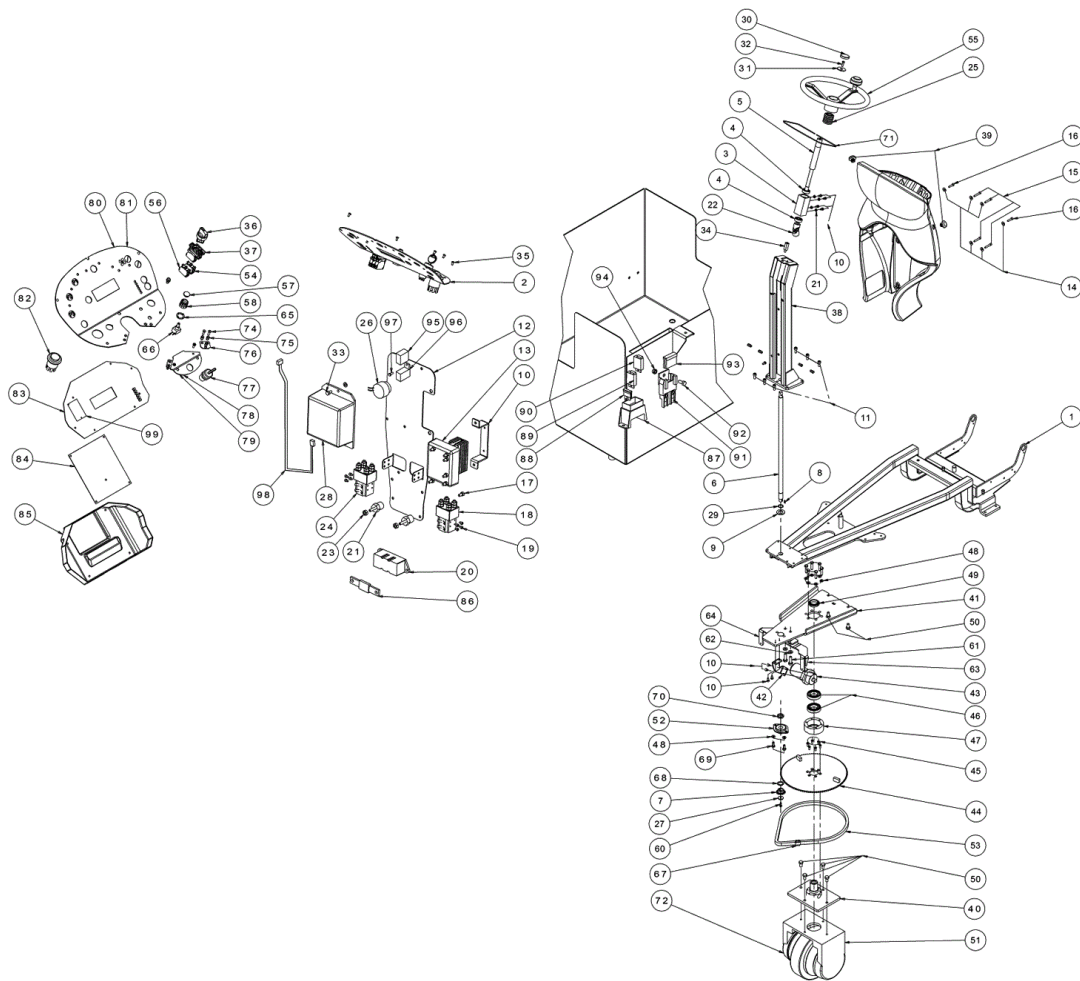
Ref.	K	Part N.	Customer Part N.	Description	Qty	Validity:		Price
						From	To	
0001		MICT00029		CARRYNG BAG	1,00			--
0002		MIVR00023		CARRYNG BAG	4,00			--
0003		MIVR00065		LATH PER BLOCC. RUOT. 450/530	2,00			--
0004		MIBA00013		CARRYNG BAG	1,00			--
0005		LAFN05876		BRACKET	2,00			--
0006		VTVT00770		SCREW TE AUTOF. 8X50	4,00			--



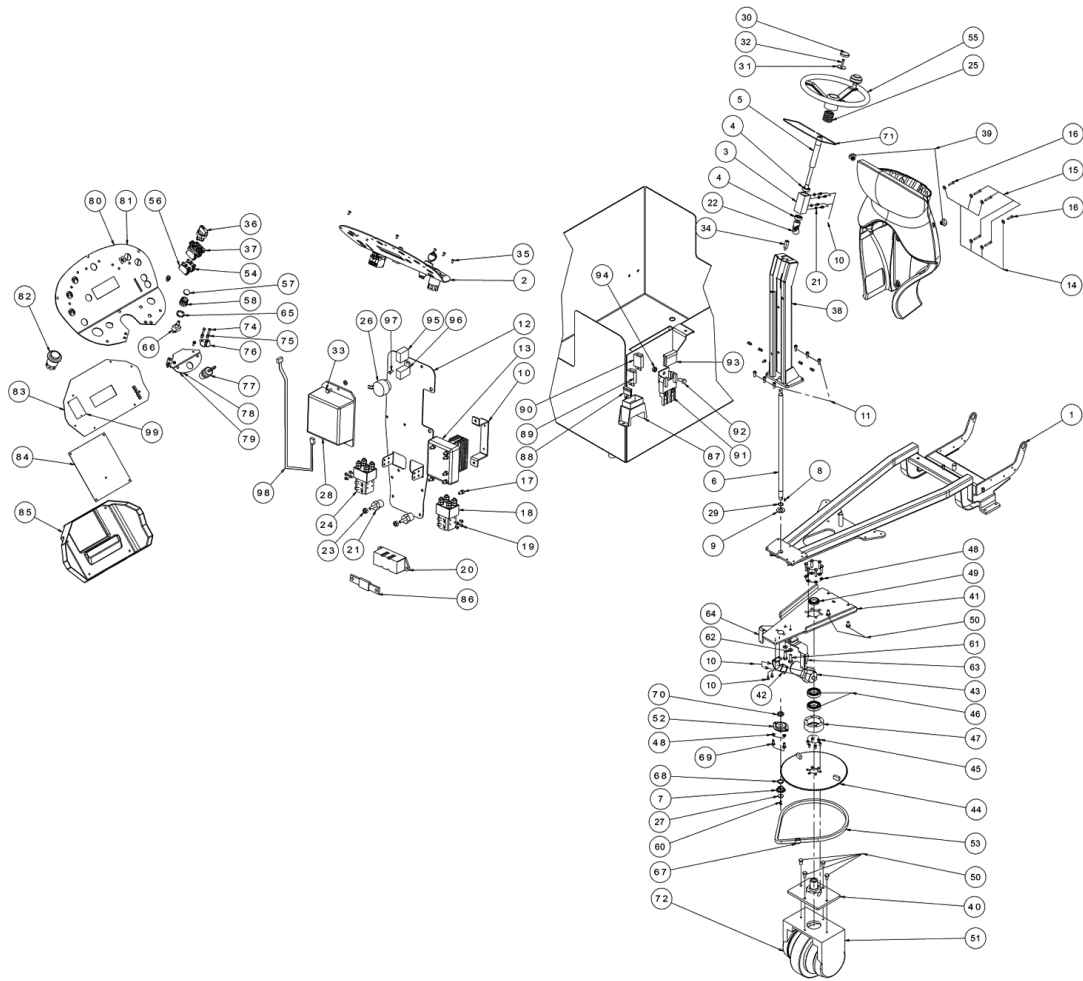
Ref.	K	Part N.	Customer Part N.	Description	Qty	Validity:		Price
						From	To	
0001		MPVR03002		PLANE CLEANTIME	1,00			--
0002		VTRS13945		WASHER D. 6X18 INX UNI 6593	8,00			--
0003		VTVT00093		SCREW TBCE ISO 7380 6X12 ZB	4,00			--
0006		FTAC00038		FILTER G1/2 INOX	1,00			--
0007		VTRS00503		WASHER D. 6 TE UNI 6798	2,00			--
0008		VTVT00699		SCREW TE M. 6-70	2,00			--
0009		RCVR00540		CONNECTOR	1,00			--
0010		RCVR00541		CURVED CONNECT.M/F G1/2 COD.126-2022	1,00			--
0011		RCVR00542		CURVED CONNECT.M G1/2 PORTAG. 113-2213	1,00			--
0012		VTVT85145		SCREW TCB T-CROCE 4,2X9,5 INOX	2,00			--
0013		MPVR04075		CAP PICCOLO "PONY"	1,00			--
0014		FSVR00107		CLAMP KSS CABLE CLAMP	1,00			--
0015		TBBP00319		TUBE L=350	1,00			--
0016		TBBP00369		TUBE ARMONVIN 12X3 L=280 MM	1,00			--
0017		RCVR00547		CONNECTOR PORTAG. DIRIT	1,00			--
0018		VTVT15906		SCREW TE 6X 12 A2 UNI 5739	5,00			--
0020		VTVT15966		SCREW TCEI M 6X25	4,00			--
0021		MPVR46988		CLIP LAV. SHK	1,00			--
0022		VTVT01300		SCREW TE M5X12 INOX	2,00			--
0023		TBFX00208		TUBE DI SCARICO	1,00			--
0024		FTAC48857		FILTER ASP. ACQUA SERB. LAVAP.	1,00			--
0026		MPVR04127		PLATE CONTENITORE BATTERIE P185	1,00			--
0027		LAFN05807		GUIDE PER ASTA SERBATOIO P185	1,00			--
0028		LAFN05803		ASSEMBLED ASTA SERBATOIO P185	1,00			--
0029		LAFN04148		BUSHING ASTA SERBATOIO P185	1,00			--
0030		LAFN04147		SCREW ASTA SERBATOIO P185	1,00		11/2010	--
0030		VTVT15916		SCREW TE M 8X 16 UNI 5739 A2	1,00	11/2010		--
0031		VTVT00889		SCREW TCEI M. 8-45	4,00			--
0032		VTVT01350		SCREW M3-20 INOX	2,00			--
0033		MPVR05528		WASHER -	2,00			--
0034		VTDD21115		NUT M 3 INOX	4,00			--
0035		LAFN06474		SHEET METAL PA.PEDALE	1,00			--
0036		LAFN07532		BUSHING -	1,00			--
0038		LAFN00909		BRACKET BIELLETTA PEDALE	1,00			--
0039		MLML00034		SPRING PEDALE AVANZAMENTO G1050	1,00			--
0040		LAFN00524		PIN PEDALE TK 1050	1,00			--
0041		LAFN01149		CONNECTING ROD PEDALE AVANZAMENTO G1050	1,00			--
0042		VTVT00727		SCREW TE M. 4-20	2,00			--
0043		VTAE48552		CIRCLIP D. 6 UNI 7435	2,00			--



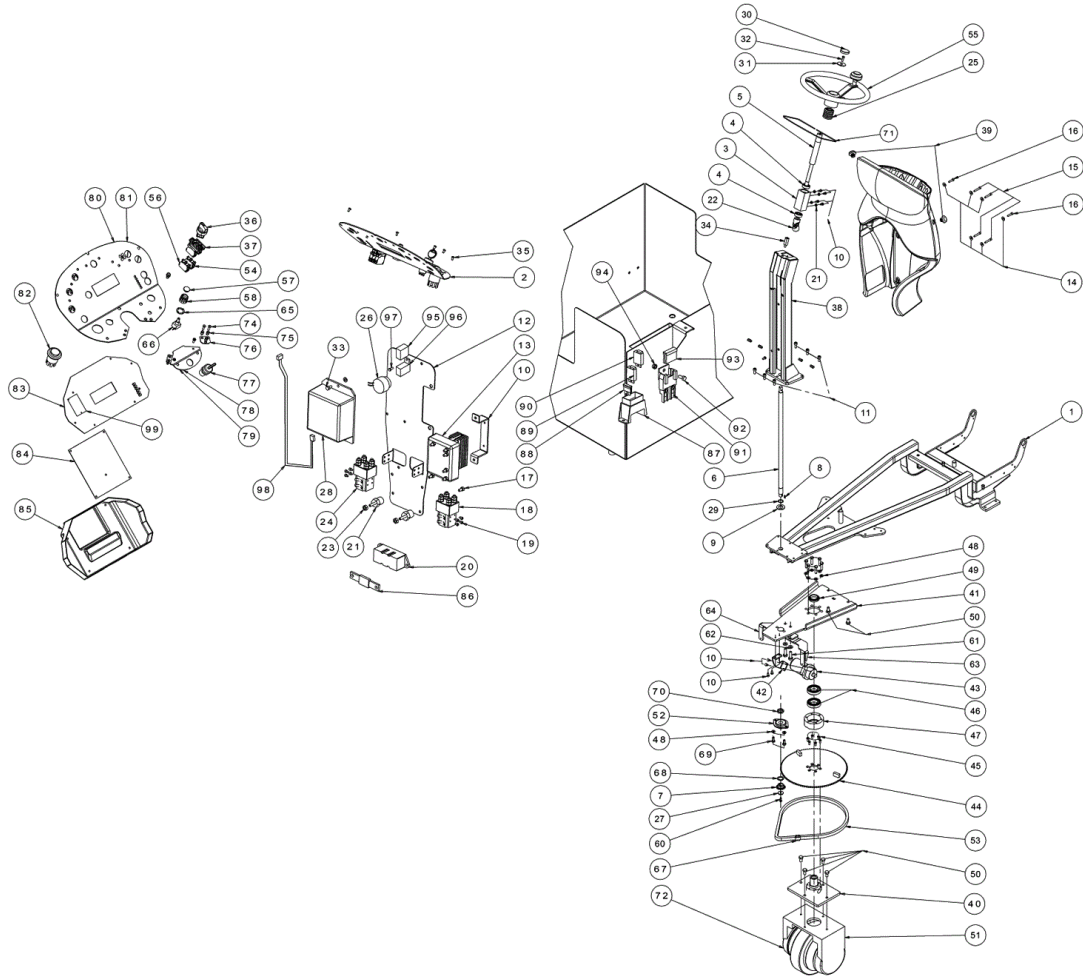
Ref.	K	Part N.	Customer Part N.	Description	Qty	Validity:		Price
						From	To	
0044		MPVR00302		CRANKCASE PEDALE AVANZAMENTO	1,00			--
0045		VTVT15143		SCREW TE 6X16 UNI5739	1,00			--
0046		LAFN05802		FLANGE PEDALE ACCELERATORE P185	1,00			--
0047		VTVT22203		SCREW TCB-TC 4X25 UNI7687	2,00			--
0048		VTDD04369		NUT M 4 TEF UNI 7473	1,00			--
0049		LAFN51079		ECCENTRIC SERB.RECUP.P185	1,00			--
0050		LAFN51080		RING NUT ECCENTR.SERB.RECUP.P185	1,00			--
0051		VTRS13946		WASHER D. 8 X24 INX UNI 6593	1,00			--
0052		VTVT00832		SCREW TSPEI M6X16 INOX	1,00			--
0053		MECI00516		SENSOR DI LIVELLO ORIZZONTALE	1,00			--
0054		MECB00995		WIRING PEDALE ACCEL.P160	1,00		12/2010	--
0054		MECB01227		WIRING ACCELERATOR	1,00	01/2011		--
0055		FSVR00091		CLAMP 14-24	4,00			--
0056		RCVR00713		REDUCTION MASCHIO/MASCHIO	1,00			--
0057		RCVR00712		CONNECTOR PORTAGOMMA	1,00			--
0058		GUGO00290		GASKET OR (G10052)	1,00			--
0059		MEVR01431		GUIDE PVC GRIGIO 25 X 40	1,00			--
0060		MPVR00866		PLANE ANTISDRUCCIOLO G1050	1,00			--
0061		CMCV76639		FORK M 6 UNI 1676	1,00			--
0062		CMCV75717		CLIP UNI 1676 M6	1,00			--
0063		VTDD00482		NUT M 6 ZIN UNI 5588	1,00			--
0064		VTDD04369		NUT M 4 TEF UNI 7473	2,00			--
0065		VTVT00089		SCREW TCCE UNI 5931 4X10 ZB	2,00			--
0066		MPVR04744		MOUSSE 440X30X20	1,00			--
0067		CUVR00183		BUSHING -	2,00			--
0068		MPVR05064		CAP COMPLETO	1,00			--
0069		MPVR49412		CLAMP SHK	1,00			--
0070		VTRS00117		WASHER 3.2X7 UNI6592	2,00			--
0071		VTRS13947		WASHER D. 8 INX UNI 6592	1,00		11/2010	--
0072		MECB01228		WIRING -	1,00	01/2011		--



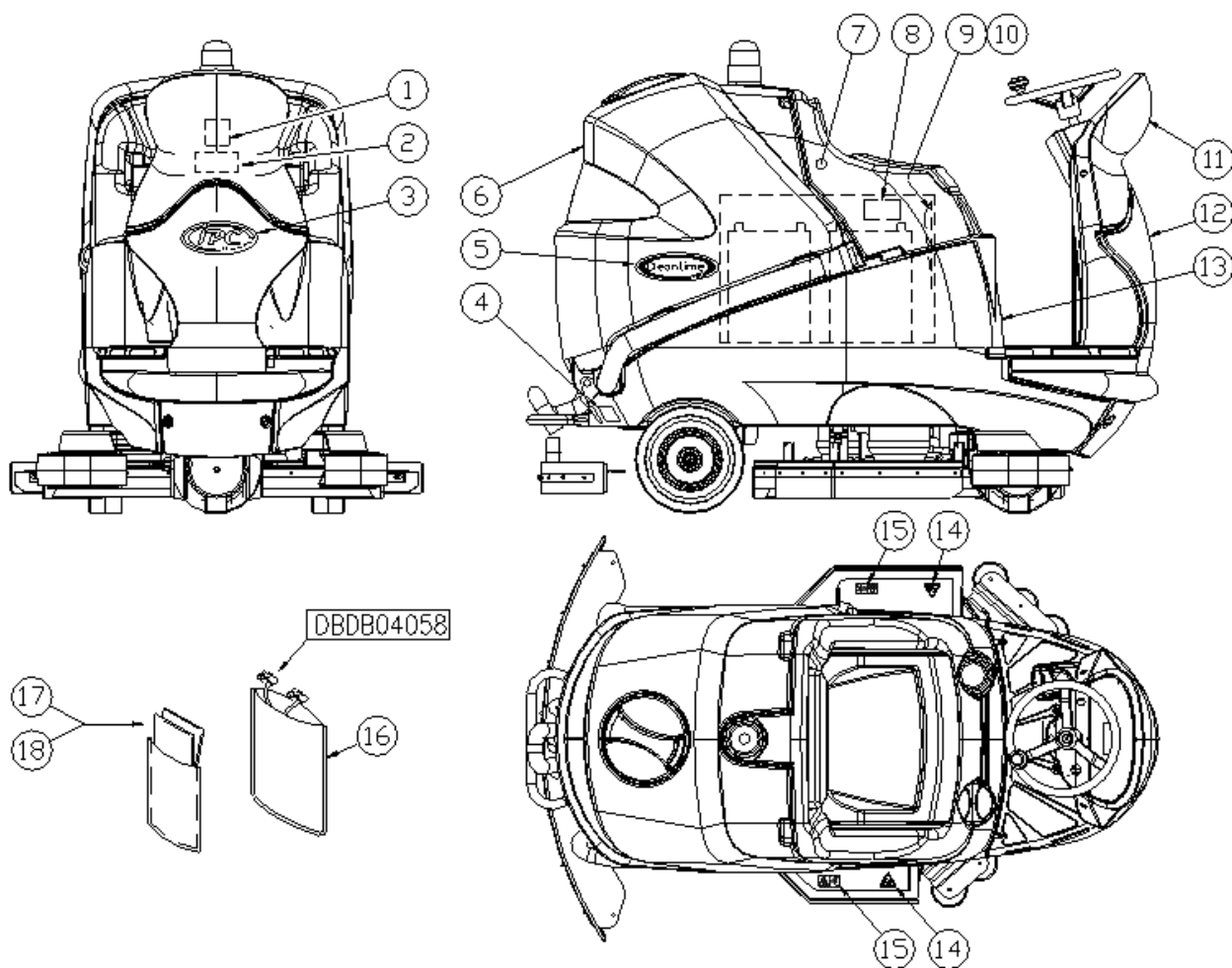
Ref.	K	Part N.	Customer Part N.	Description	Qty	Validity:		Price
						From	To	
0001		LAFN05790		FRAME COMPLETO CLT160	1,00			--
0002		MECE00522		BOARD CT230	1,00			--
0003		LAFN04133		HUB ALBERO STERZO	1,00			--
0004		CUVR17004		BALL BEARING 6202-2RS1	2,00			--
0005		LAFN04076		SHAFT STERZO SUPERIORE P185	1,00			--
0006		LAFN04131		SHAFT STERZO NUOVO	1,00			--
0007		MTCR00070		PINION ALBERO STERZO P185	1,00			--
0008		VTVR00229		KEY 5X5X12	1,00			--
0009		VTRS00019		WASHER UNI 6592 FORO 20 INOX	1,00			--
0010		LAFN08877		SUPPORT -	1,00			--
0011		VTVT01351		SCREW M8-20 INOX A2 -70	6,00			--
0012		LAFN08876		SUPPORT -	1,00			--
0013		MECE00526		BOARD POWER SERVICE CT160-CT230	1,00			--
0014		VTRS00245		WASHER D.6 UNI 6592 INOX	6,00			--
0015		VTVT15912		SCREW TCEI M 6X35 UNI 5931 INX	4,00			--
0016		VTVT15966		SCREW TCEI M 6X25	2,00			--
0017		VTVT15906		SCREW TE 6X 12 A2 UNI 5739	2,00			--
0018		METT00086		CONTACTOR 100A	1,00			--
0019		VTVT00881		SCREW TC+ M4x6 TRILOBATA INOX	8,00			--
0020		MEVR00146		FUSE-HOLDER MEGA	1,00			--
0021		MEVR47082		INSULATOR M6 35-CH32	2,00			--
0022		VTVR00057		ARTICULATION CARDANICO	1,00			--
0024		METT00086		CONTACTOR 100A	1,00			--
0025		MPVR51068		PROTECTOR STERZO CLT 160	1,00			--
0026		MEVR01436		BUZZER -	1,00			--
0027		LAFN04134		WASHER PIGNONE STERZO	1,00			--
0028		MECE00525		BOARD TRACTION CURTIS 36V 160A	1,00			--
0029		VTAE00050		RING D'ARRESTO ALBERO	1,00			--
0030		MPVR47026		BLACK CAP L.14	1,00			--
0031		VTRS44254		WASHER D.10 X40X2.5 UNI6593	1,00			--
0032		VTVT01550		SCREW TCCE UNI 5931 6X50 ZB	1,00			--
0033		VTVT07725		SCREW TE 5X16 UNI5739 INX	3,00			--
0034		LAFN51017		SPACER CRUSC.	1,00			--
0035		VTVT00881		SCREW TC+ M4x6 TRILOBATA INOX	4,00			--
0036		MEVR02011		SELECTOR -	1,00			--
0037		MEVR02038		SUPPORT -	1,00			--
0038		LAFN05787		ASSEMBLED PIANTONE	1,00			--
0039		MPVR04658		CAP PER TUBO D.20 CLT160	2,00			--
0040		LAFN05765		ASSEMBLED RALLA STERZO	1,00			--



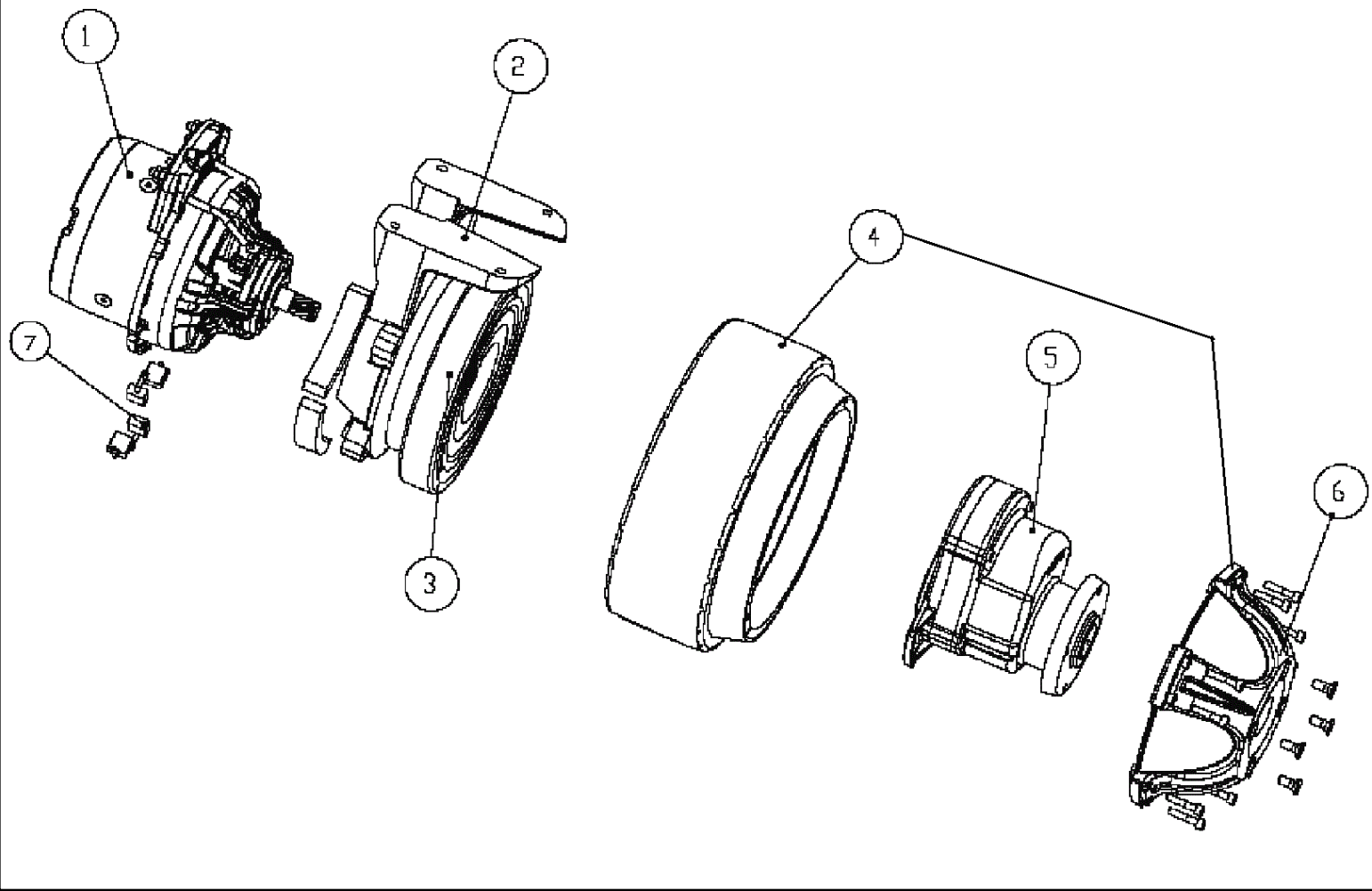
Ref.	K	Part N.	Customer Part N.	Description	Qty	Validity:		Price
						From	To	
0041		LAFN05763		ASSEMBLED PIASTRA STERZO	1,00			--
0042		LAFN05795		BRACKET PORTAPOMPA	1,00			--
0043		PPEL00025		PUMP EST. 36V	1,00			--
0044		LAFN05764		ASSEMBLED CORONA STERZO	1,00			--
0045		VTVT00832		SCREW TSPEI M6X16 INOX	6,00			--
0046		CUVR00120		BEARING 6007-2RS1	2,00			--
0047		LAFN04117		BUSHING PORTACISCINETTI	1,00			--
0048		VTRS13947		WASHER D. 8 INX UNI 6592	2,00			--
0049		VTVR75747		RING NUT AUTOBLOK M 35 X 1,5 GUK	1,00			--
0050		VTVT13936		SCREW TE M 10X 20	6,00			--
0051		MEVR01746		CARBON X MOT.COD.MOCC00374	4,00			--
0051		MOCC00380		DRIVE ASSEMBLY -	1,00			--
0051		MOCC00398		MOTOR MP100	1,00			--
0051		RDGR00039		REDUCTION UNIT -	1,00			--
0051		RDGR00039		REDUCTION UNIT -	1,00			--
0051		RTRT00533		RING MOTORWHEEL	1,00			--
0052		CUVR00105		SUPPORT	1,00			--
0053		MTCR00085		CHAIN 3/8"	1,00			--
0054		MEVR02039		CONTACT	2,00			--
0055		MPVR47027		STEERING WHEEL D. 320 L.14	1,00			--
0056		MEVR02012		CONTACT -	2,00			--
0057		MEVR01573		SMALL KNOB 2200 V6	1,00			--
0058		MEVR01575		CAP 2202	1,00			--
0060		VTVT00717		SCREW TCEI M. 6-16	1,00			--
0061		VTVT00715		SCREW TE M.10-35	2,00			--
0062		VTRS15523		WASHER D.10 X21 INOX UNI 6592	2,00			--
0063		LAFN06487		BRACKET FISSA CARENE DP	1,00			--
0064		LAFN06486		BRACKET FISSA CARENE DP	1,00			--
0065		MEVR01574		RING NUT 2204	1,00			--
0066		MEVR01941		POTENTIOMETER 100K	1,00			--
0067		MTCR47037		WARP KNITTING 3/8	1,00			--
0068		LAFN07030		SPACER -	1,00			--
0069		VTVT15916		SCREW TE M 8X 16 UNI 5739 A2	2,00			--
0070		LAFN07029		SPACER -	1,00			--
0071		GUGO00415		GASKET PANNELLO COMANDI CT160	1,00			--
0072		RTRT00533		RING MOTORWHEEL	1,00			--
0073		MPVR47040		KNOB L.14	1,00			--
0074		VTVT16939		SCREW M 4X 16 TSPEI UNI 5933	4,00			--
0075		VTVR00306		INSERT FILETTATO ESAGONALE M5	6,00			--



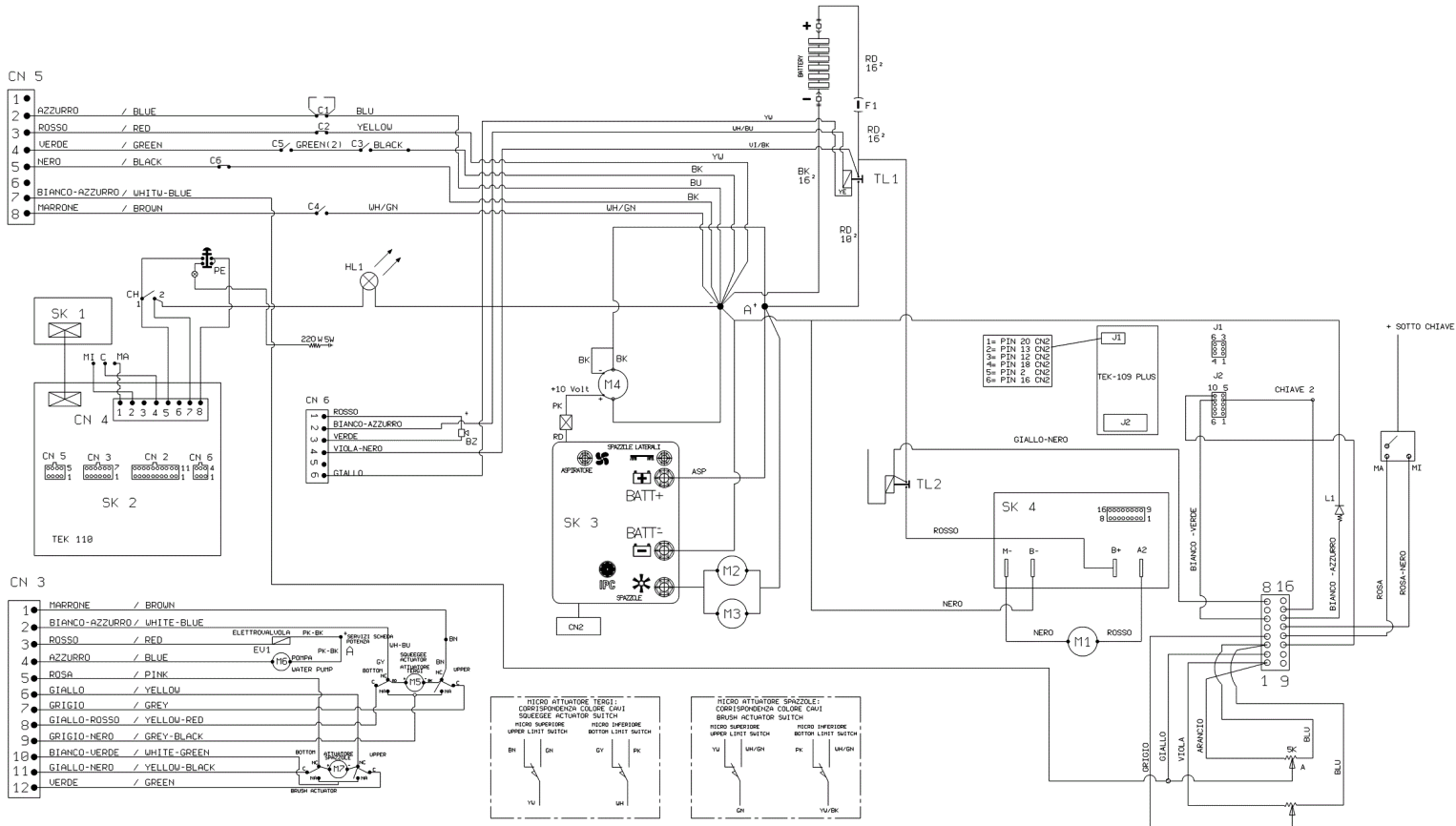
Ref. K	Part N.	Customer Part N.	Description	Qty	Validity:		Price
					From	To	
0076	LAFN08870		BRACKET -	1,00			--
0077	MECI75805		SWITCH TK	1,00			--
0078	LAFN08869		SUPPORT -	1,00			--
0079	ETET01664		LABEL -	1,00			--
0080	ETET01663		LABEL -	1,00			--
0081	LAFN08851		SUPPORT -	1,00			--
0082	MECI00028		BUTTON DI EMERGENZA TK1400 24V	1,00			--
0083	MECE00531		BOARD DISPLAY CT160-CT230	1,00			--
0084	MECE00532		BOARD LOGIC CT160-CT230 CURTIS	1,00			--
0085	MPVR05840		COVER -	1,00			--
0086	MEVR00145		FUSE 100A	1,00			--
0087	MEVR00030		FUSE-HOLDER 4 VIE COPERCHIO TRAS.	1,00	10/2011		--
0088	MEVR00584		FUSE 3A	1,00	10/2011		--
0089	MEVR01559		FUSE RESETTABLE 4A -ETA-	1,00	10/2011		--
0090	MEVR01559		FUSE RESETTABLE 4A -ETA-	1,00	10/2011		--
0091	MEVR00613		FUSE CARRIER MAXIVAL with cover	1,00	10/2011		--
0092	VTVT01300		SCREW TE M5X12 INOX	1,00	10/2011		--
0093	MEVR00644		FUSE MAXIVAL 30A	1,00	10/2011		--
0094	VTDD01693		NUT M 5 INX	1,00	10/2011		--
0095	MECE00456		RELAY CT110	1,00	10/2011		--
0097	VTVT07725		SCREW TE 5X16 UNI5739 INX	1,00	10/2011		--
0098	MECB01319		WIRING CURTIS	1,00	11/2012		--
0099	MECE00533		BOARD -	1,00	01/2013		--



Ref.	K	Part N.	Customer Part N.	Description	Qty	Validity:		Price
						From	To	
0001		ETET00895		ADHESIVE SIMBOLO LEGGERE IL MANUAL	1,00			--
0002		ETET00730		LABEL BATTERIE SCOLLEGATE	1,00			--
0003		ETET01637		LABEL -	1,00			--
0004		ETET00463		ADHESIVE SCARICO ACQUA	1,00			--
0005		ETET01686		LABEL -	2,00			--
0006		MPVR05862		TANK RECUP.CT160	1,00			--
0007		MPVR05861		PEDAL P185	1,00			--
0008		ETET01408		LABEL SCHEMA COLLEG. BATTERIE	1,00			--
0009		MPVR04179		ENVELOPE PORTAMANUALE ADESIVA	1,00			--
0010		PLDC01455		ELEC. DIAGRAM DISEGNO	1,00			--
0011		MPVR05863		SIDE PANEL POSTER. P185	1,00			--
0012		MPVR05864		SIDE PANEL ANTER.P185	1,00			--
0013		MPVR05860		TANK SOLUZ.CT160	1,00			--
0014		ETET00897		ADHESIVE SIMBOLO PERICOLO	2,00			--
0015		ETET00906		ADHESIVE SIMBOLO PERICOLO DI ABRAS	2,00			--
0016		MIVR00064		ENVELOPE PORTA CABLAGGI	1,00			--
0018		PLDC01504		INSTR.MANUAL NEUTRO CLEANTIME 160	1,00			--



Ref. K	Part N.	Customer Part N.	Description	Qty	Validity:		Price
					From	To	
0001	MOCC00398		MOTOR MP100	1,00			--
0003	CUVR00194		BEARING 61926 2RS	1,00			--
0004	RTRT00533		RING MOTORWHEEL	1,00			--
0005	RDGR00039		REDUCTION UNIT -	1,00			--
0006	MPVR05990		CAP CT110	1,00			--
0007	MEVR00985		BRUSHES CT110	1,00			--



Ref. K	Part N.	Customer Part N.	Description	Qty	Validity:		Price
					From	To	
BZ	MEVR01436		BUZZER -	1,00			--
C2	MECI00516		SENSOR DI LIVELLO ORIZZONTALE	1,00			--
C3	MEVR00148		DASHBOARD SEDILE	1,00			--
C4	MECI00516		SENSOR DI LIVELLO ORIZZONTALE	1,00			--
C5	MECB00995		WIRING PEDALE ACCEL.P160	1,00			--
C6	MECI44780		MICROSWITCH D2VW-5L2A-1M OMR	1,00			--
CH	MECI75805		SWITCH TK	1,00			--
EV1	MEEV00021		SOLENOID VALVE RIF. D160SS10/K/20Z	1,00			--
F1	MEVR00145		FUSE 100A	1,00			--
HL1	MEVR01672		LAMP -	1,00			--
M1	MOCC00380		DRIVE ASSEMBLY -	1,00			--
M2	MOCC00248		MOTOR SPAZZOLE CPL	1,00			--
M3	MOCC00248		MOTOR SPAZZOLE CPL	1,00			--
M4	MOCC00252		MOTOR ASPIR.TRIS.36V	1,00			--
M5	MOCC00303		ATUATOR TERGI AO-01M	1,00			--
M6	PPEL00025		PUMP EST. 36V	1,00			--
M7	MOCC00304		ATUATOR TEST.AO1-C 36V	1,00			--
P1	MECB00995		WIRING PEDALE ACCEL.P160	1,00			--
P2	MEVR01941		POTENTIOMETER 100K	1,00			--
PE	MECI00028		BUTTON DI EMERGENZA TK1400 24V	1,00			--
SK1	MECE00531		BOARD DISPLAY CT160-CT230	1,00			--
SK2	MECE00532		BOARD LOGIC CT160-CT230 CURTIS	1,00			--
SK3	MECE00526		BOARD POWER SERVICE CT160-CT230	1,00			--
SK4	MECE00525		BOARD TRACTION CURTIS 36V 160A	1,00			--
TL1	METT00086		CONTACTOR 100A	1,00			--
TL2	METT00086		CONTACTOR 100A	1,00			--