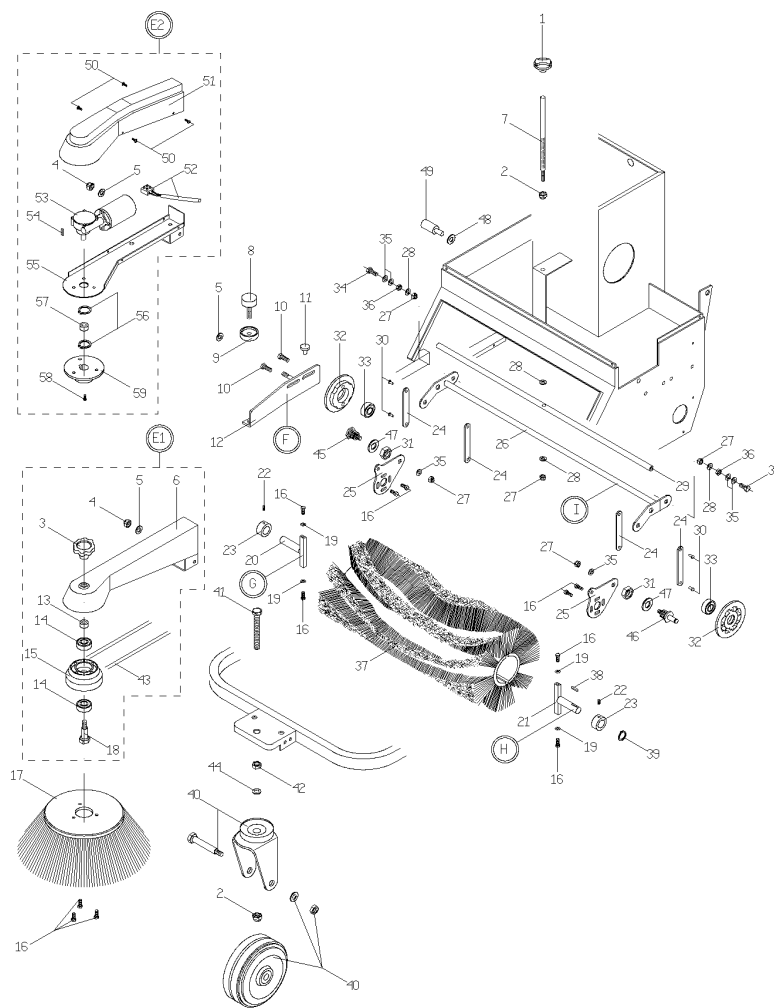


# Spare Parts List

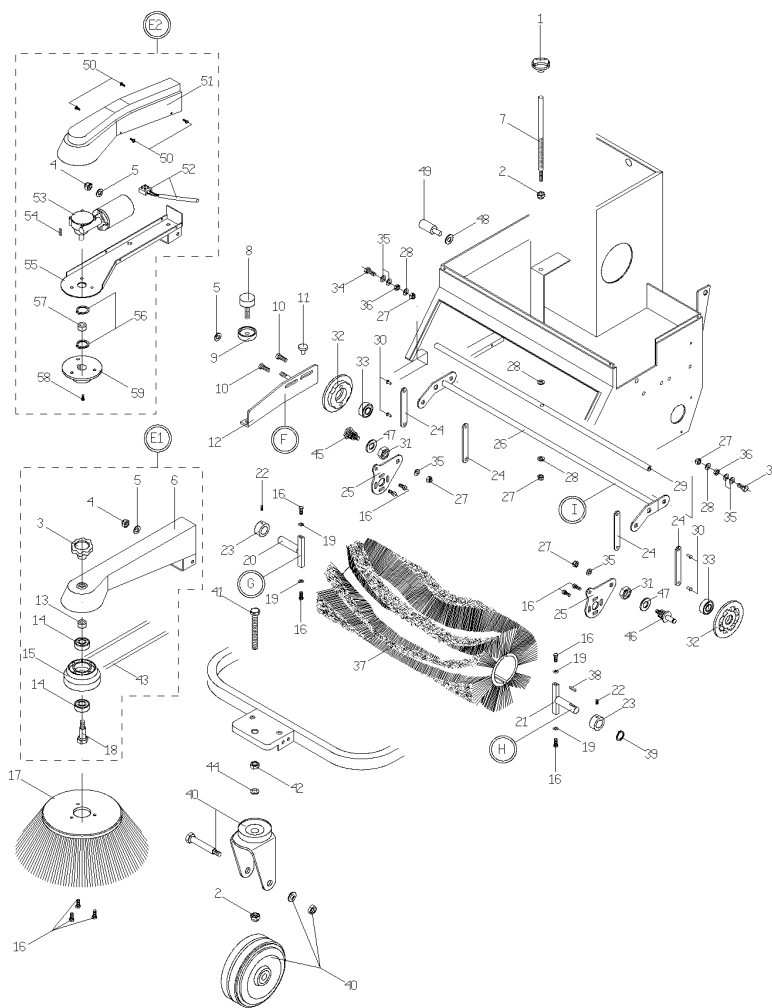


Ref: MSUT00644

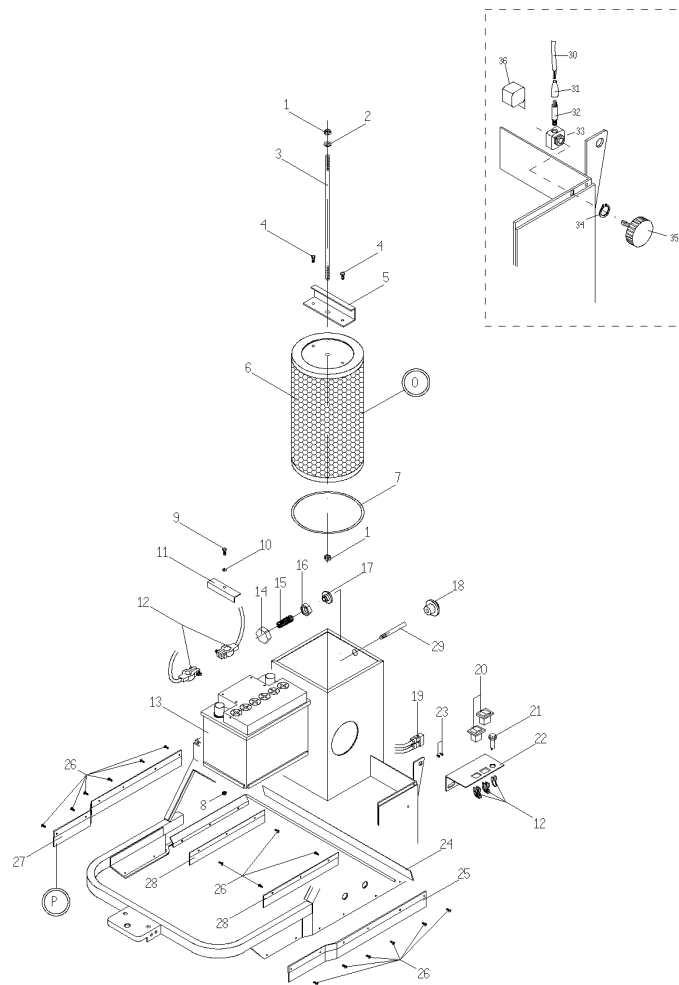
Model: SPAZZATRICE ECOL 65T VERDE



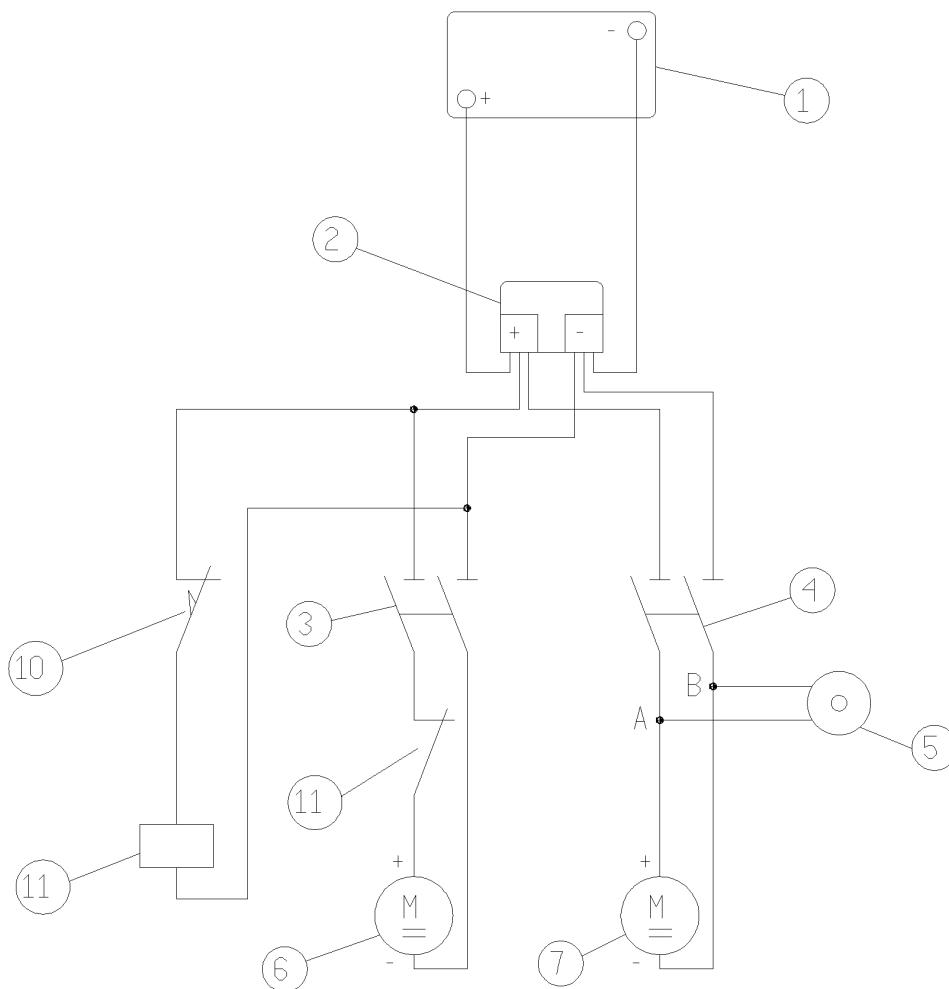
Ref.	K	Part N.	Customer Part N.	Description	Qty	Validity:		Price
						From	To	
0001		MPVR75768		KNOB	1,00			--
0002		VTDD00012		NUT AUTOBLOK DIN 985 M12 ZB	2,00			--
0003		VTVR75766		HANDWHEEL D60 M10 (Z01.021)	1,00			--
0004		VTDD00042		NUT AUT.M10 UNI7474	1,00			--
0005		VTRS00505		WASHER D.10 TE UNI 6592	2,00			--
0006		LAFN26508		LATERAL ARM LOLY 50H-HE	1,00			--
0007		LAFN26663		BRUSH PIN LOLY 50HE	1,00			--
0008		ABGO26555		VIBRATION DAMP.30X20- 1M10X20 -60+5SH	1,00			--
0009		LAFN26557		RING NUT M 8 D.40	1,00			--
000F		LAFN76021		SUPPORT	1,00			--
000G		PMVR00182		BRUSH SHAFT MANUALI/ECOL COMPLETO	1,00			--
000H		PMTR00007		TRACTION SHAFT SPAZZOLA MAN/ECOL COMPL.	1,00			--
000I		PMVR00016		BALANCER 65 COMPLETO	1,00			--
0010		VTVT63129		SCREW TE F/ROND. M 8X16 ZB	2,00			--
0011		ABGO00011		VIBRATION DAMP.APPOGGIO BRACCIO LATERALE	1,00			--
0012		LAFN26574		ARM SUPPORT LOLY 50	1,00			--
0013		LAFN26509		THICKNESS MM7 LOLY 50	1,00			--
0014		CUVR00003		BEARING 6201 2RS	2,00			--
0015		MTPL26511		PULLEY 82 -1Z LOLY 50	1,00			--
0016		VTVT75719		SCREW TE F/ROND. M 6 X 10	11,00			--
0017		SPPV24794		SIDE-BRUSH LOLY 50-70	1,00			--
0018		LAFN26513		PIN LOLY 50	1,00			--
0019		VTRS04026		WASHER D. 6X18X2.38	4,00			--
0020		ALTR26577		BRUSH SHAFT LOLY 50	1,00			--
0021		ALTR26587		TRACTION SHAFT LOLY 50	1,00			--
0022		VTVT75731		SCREW UNI 5923 6 X5	2,00			--
0023		LAFN26588		SPACER LOLY 50	2,00			--
0024		LAFN87142		BRACKET BILANCIERE ZINCATA	4,00			--
0025		LAFN00642		BRACKET SUPP.CUSCIN.BILANC.ZINC.	2,00			--
0026		LAFN26579		BALANCER LOLY 50	1,00			--
0027		VTDD00124		NUT M 8 BASSO	5,00			--
0028		VTRS00504		WASHER D. 8 TE ZC. UNI 6592	4,00			--
0029		LAFN00033		TUBE BILANCERE 65 ZINCATO	1,00			--
0030		VTVR00025		RIVET FORATO 6X14 TT	4,00			--
0031		VTDD00015		NUT UNI 5589 M18 BASSO ZB	2,00			--
0032		LAFN26583		BEARING SUPPORTLOLY 50	2,00			--
0033		CUVR00005		BEARING 6202 2RS	2,00			--
0034		VTVT00017		SCREW TE UNI 5739 8X35 ZB	2,00			--
0035		VTRS00512		WASHER D. 8 X24 ZC.	6,00			--



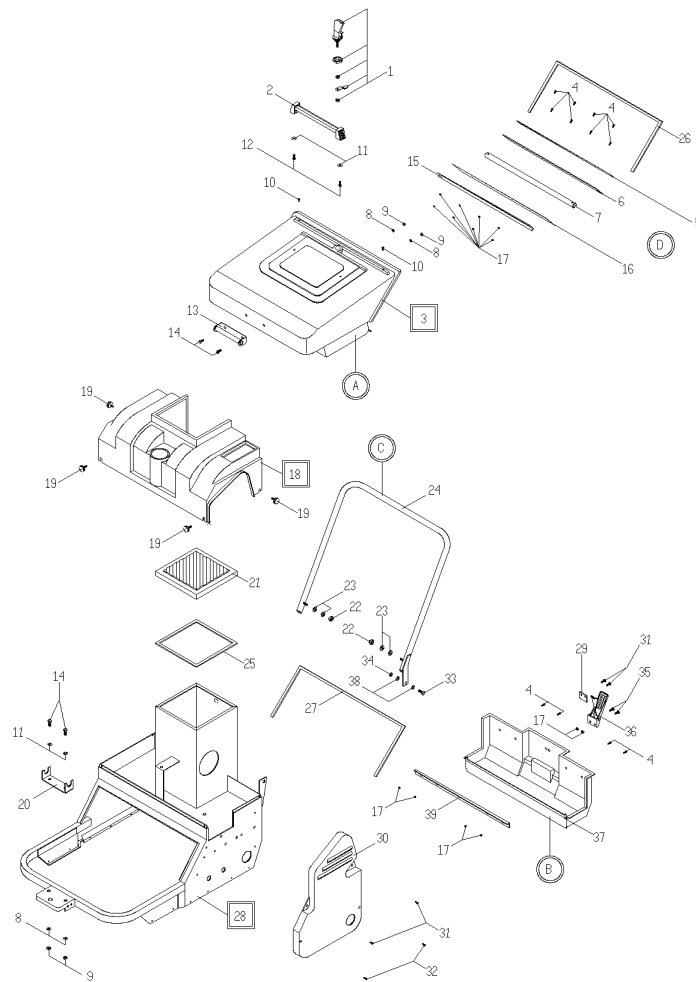
Ref.	K	Part N.	Customer Part N.	Description	Qty	Validity:		Price
						From	To	
0036		VTDD00483		NUT M 8 ZIN UNI 5588	2,00			--
0037		SPPV40308		CENTRAL BRUSH LOLY 50 HE -ELIC.	1,00			--
0038		VTVR26559		KEY 5X5X15	1,00			--
0039		VTAE17003		CIRCLIP D. 15 UNI 7435	1,00			--
0040		RTRT24661		TURNING WHEEL D.100 NTR	1,00			--
0041		VTVT00028		SCREW TE UNI 5739 12X45 ZB	1,00			--
0042		VTDD01682		NUT M12 ZC UNI 5588	1,00			--
0043		MTCG26660		BELT Z 68.5 10X1735	1,00			--
0044		VTRS86510		WASHER 15X24 UNI6592	1,00			--
0045		LAFN00421		PIN SUPPORTO BILANCERE ECOL	1,00			--
0046		LAFN26665		TOOTH.WHEEL PINLOLY 50HE	1,00			--
0047		VTRS00013		WASHER UNI 6592 18X34 ZB	2,00			--
0048		VTRS63242		WASHER D. 6 X24 ZC	1,00			--
0049		LAFN75969		PIN D.9 H.33	1,00			--
0050		VTVT00037		SCREW AUTOF.TC UNI 6954 3,5X19	4,00			--
0051		MPVR30120		SIDE COVER L.70	1,00			--
0052		MECB00032		CABLE ALIMENTAZ.BR.LAT.ELET.85	1,00			--
0053		RDGR31335		MOTOR.GEARBOX L. 70TE	1,00			--
0054		VTVR75730		KEY UNI 6606 3 X 3,7	1,00			--
0055		LAFN85638		ARM SUPPORT TK2260010	1,00			--
0056		VTAE87276		SEEGER EXT. D10 DIN471	1,00			--
0057		LAFN85734		SPACER TK2130004	1,00			--
0058		VTVT00003		SCREW TE M 4X 12 ZC. UNI 5739	1,00			--
0059		LAFN46939		FLANGE L.70 TE	1,00			--
00E1		PMVR00058		ARM LATERALE ECOL COMPLETO	1,00			--
00E2		PMVR00006		ARM ELETTRICO ECOL COMPLETO	1,00			--



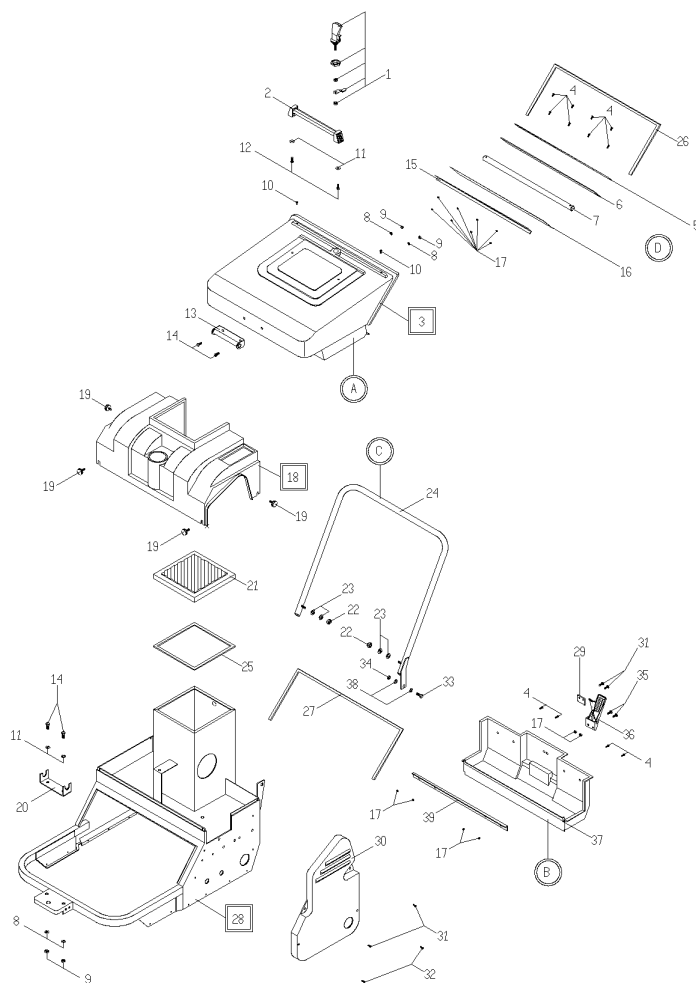
Ref. K	Part N.	Customer Part N.	Description	Qty	Validity:		Price
					From	To	
0001	VTDD00042		NUT AUT.M10 UNI7474	2,00			--
0002	VTRS00505		WASHER D.10 TE UNI 6592	1,00			--
0003	LAFN26684		FILTER ROD LOLY 50HE	1,00			--
0004	VTVT85116		SCREW TE FR 6,3X19 ZIN	2,00			--
0005	LAFN26683		FILTER BRACKET LOLY 50HE	1,00			--
0006	FTDP00003		FILTER ARIA A CARTUCCIA ECOL	1,00			--
0007	GUGO45326		O-RING D. 112 X 6 -NBR 70SH	1,00			--
0008	VTDD00491		NUT M 6 TEF	1,00			--
0009	VTVT00008		SCREW TE UNI 5739 6X30 ZB	1,00			--
000P	MPVR26655		RUBBER FLAP LOLY 50HE	1,00			--
0010	VTRS04026		WASHER D. 6X18X2.38	1,00			--
0011	LAFN00662		BRACKET FISSAG.BATT.ECOL6/TK1000S	1,00			--
0012	MECB00002		ELECTRI.INSTAL.ECOL 65	1,00			--
0013	BAAC00002		BATTERY 12 V 60 AH	1,00			--
0014	LAFN00416		FILTER SHAKER ECOL	1,00			--
0015	MLML26680		SPRING D.15X72 LOLY 50HE	1,00			--
0016	VTDD00015		NUT UNI 5589 M18 BASSO ZB	1,00			--
0017	LAFN00031		ROD GUIDE SCUOTIFILTRO ECOL	1,00			--
0018	RTRT00024		KNOB PC/45 M10	1,00			--
0019	MEVR07039		PLUG CB 50	1,00			--
0020	MECI85753		SWITCH	2,00			--
0021	MECE29284		BATTERY W.LEVELL.50HE	1,00			--
0022	LAFN26678		SUPPORT LOLY 50HE	1,00			--
0023	VTVT00037		SCREW AUTOF.TC UNI 6954 3,5X19	2,00			--
0024	MPVR75923		RUBBER 50 SHORE	1,00			--
0025	MPVR00821		CARRYNG BAG	1,00			--
0026	VTVT00040		SCREW AUTOF.TC UNI6954 3,5X10SP	16,00			--
0027	MPVR00822		CARRYNG BAG	1,00			--
0028	MPVR00733		FLAP INTERNO TELAIO ECOL	2,00		10/2010	--
0028	MPVR75927		RUBBER FLAP	2,00	10/2010		--
0029	LAFN00016		PIN SCUOTIFILTRO ECOL	1,00			--
0030	MECB00125		CABLE COLLEG.MICRO SICUR.ECOL	1,00			--
0031	MPVR00072		RUBBER PVC 13X32 PER MICRO CORTO	1,00			--
0032	MECI00023		MICROSWITCH N.C. 1/4" PER SCOPPIO	1,00			--
0033	LAFN00649		SUPPORT MICRO SICUREZZA COFANO	1,00			--
0034	VTAE27064		CIRCLIP D. 14 UNI 7435	1,00			--
0035	LAFN01078		HANDWHEEL D.40 M8 MICRO SICUREZZA	1,00			--
0036	MERL85185		RELAY	1,00			--



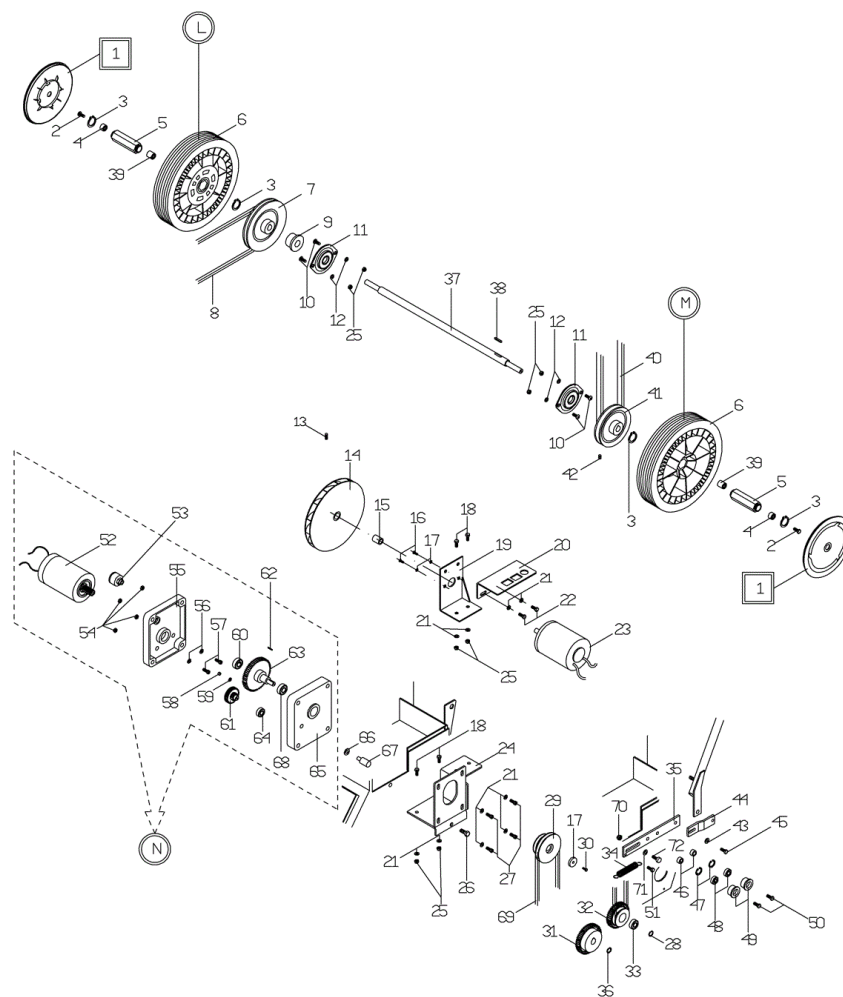
Ref.	K	Part N.	Customer Part N.	Description	Qty	Validity:		Price
						From	To	
0001		BAAC00002		BATTERY 12 V 60 AH	1,00			--
0002		MEVR07039		PLUG CB 50	1,00			--
0003		MECI85753		SWITCH	1,00			--
0004		MECI85753		SWITCH	1,00			--
0005		MECE29284		BATTERY W.LEVELL.50HE	1,00			--
0006		MOCC75780		MOTOR D.77 12V	1,00			--
0007		MOCC26693		TRACTION MOTOR LOLY 50HE	1,00			--
0010		MECI00023		MICROSWITCH N.C. 1/4" PER SCOPPIO	1,00			--
0011		MERL85185		RELAY	1,00			--



Ref.	K	Part N.	Customer Part N.	Description	Qty	Validity:		Price
						From	To	
0001		CHVR26517		DRAWER CLOSURE LOLY 50	1,00			--
0002		PMVR00369		HANDLE L.275 ZINC.ECOL 65 COMPL.	1,00			--
0003		MPVR08007		DRAWER STAR 65	1,00			--
0004		VTVT00003		SCREW TE M 4X 12 ZC. UNI 5739	12,00			--
0005		MPVR00712		RUBBER CASSETTO ANTER.STAR/ECOL	1,00			--
0006		LAFN26519		HOSE CLIP LOLY 50HE ANT.	1,00			--
0007		LAFN00291		REINFORCEMENT CASS.ANT.STAR/ECOL65 ZINC	1,00			--
0008		VTRS04026		WASHER D. 6X18X2.38	4,00			--
0009		VTDD00482		NUT M 6 ZIN UNI 5588	4,00			--
000A		PMVR01833		DRAWER ANTER.ECOL 65 VERDE COMPL	1,00			--
000B		PMVR00013		DRAWER POSTERIORE ECOL 65T COMPL	1,00			--
000C		PMQE00014		HANDLE ECOL 65T COMPLETO	1,00			--
000D		MPVR26518		RUBBER FLAP LOLY 50HE	1,00			--
0010		VTVT00038		SCREW AUTOF. TC UNI 6954 3,5X13	2,00			--
0011		VTRS63242		WASHER D. 6 X24 ZC	4,00			--
0012		VTVT85116		SCREW TE FR 6,3X19 ZIN	2,00			--
0013		LAFN26515		DRAWER SUPPORT LOLY 50HE	1,00			--
0014		VTVT62920		SCREW TE F/ROND. M 6X 16 ZB	4,00			--
0015		LAFN00294		CLAMP FLAP CASSETTO ANT.ECOL65	1,00			--
0016		MPVR00717		CARRYNG BAG	1,00			--
0017		VTDD04368		NUT M 4 ZIN UNI 5588	14,00			--
0018		MPVR08006		COVER ECOL 65 VERDE	1,00			--
0019		VTVT00120		HANDWHEEL D.20 M5X10	4,00			--
0020		LAFN00028		BASE-SUPPORT CASSETTO ANTERIORE STAR	1,00			--
0021		MPVR26651		COVER LOLY 50HE	1,00			--
0022		VTDD00042		NUT AUT.M10 UNI7474	2,00			--
0023		VTRS00505		WASHER D.10 TE UNI 6592	4,00			--
0024		LAFN00376		HANDLE ECOL 65T VERNICIATO	1,00			--
0025		GUVR00003		GASKET MOUSSE FILTRO ECOL 65	1,00			--
0026		KTRI00020		KIT GASKET MOUSSE CASS.ANT.ECOL 65	1,00			--
0027		GUGO00039		GASKET MOUSSE CASS.POST.ECOL 65	1,00			--
0028		LAFN00942		FRAME ECOL 65T NERO RAL9011	1,00			--
0029		CHVR85161		CLOSING HOOK A LEVA 1320007	1,00			--
0030		LAFN26652		CRANKCASE LOLY 50HE	1,00			--
0031		VTVT00040		SCREW AUTOF.TC UNI6954 3.5X10SP	4,00			--
0032		VTVT47049		SCREW ATF TSP-TC 3.5X45 U.6955	2,00			--
0033		VTVT00447		SCREW TE 8X25 UNI5739	1,00			--
0034		VTDD00124		NUT M 8 BASSO	1,00			--
0035		VTVT29884		SCREW TE M 4X 16 UNI 5739	2,00			--

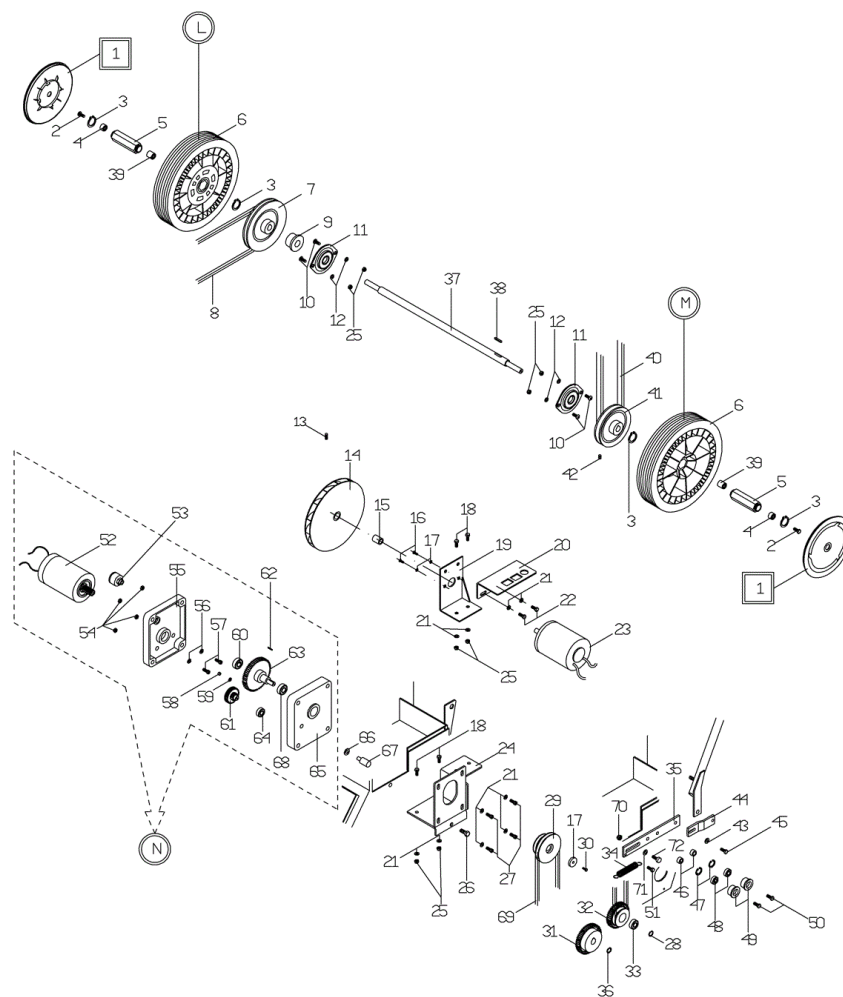


Ref. K	Part N.	Customer Part N.	Description	Qty	Validity:		Price
					From	To	
0036	CHVR26582		CLOSURE L= 75 LOLY 50	1,00			--
0037	MPVR75845		DRAWER	1,00			--
0038	VTRS00504		WASHER D. 8 TE ZC. UNI 6592	2,00			--
0039	LAFN00289		REINFORCEMENT CASSETTO POSTER.ECOL 65	1,00			--



Ref.	K	Part N.	Customer Part N.	Description	Qty	Validity:		Price
						From	To	
0001		MPVR00541		WHEEL'S COVER D.200 NERO	2,00			--
0002		VTVT75725		SCREW TBEI M 6X 10 ISO 7380 ZB	2,00			--
0003		VTAE28493		CIRCLIP D. 28 UNI 7435	4,00			--
0004		CUVR37344		ROLLER BEARING HK 1412	2,00			--
0005		LAFN75838		BUSHING	2,00			--
0006		RTRT75989		WHEEL D.250-D.27 X55 ES.	2,00			--
0007		MTPL75982		PULLEY DE 178 M	1,00			--
0008		MTCG26660		BELT Z 68.5 10X1735	1,00			--
0009		MPVR26573		BUSHING D.15X20NYL	1,00			--
000L		PMTR00008		WHEEL D.250 DX COMPL.NERO-NERA	1,00			--
000M		PMTR00010		WHEEL D.250 SX COMPL.NERA-NERO	1,00			--
000N		MOCC00001		MOTOR.GEARBOX R.20-D.80 FRESATO ECOL	1,00			--
0010		VTVT75721		SCREW TTDE UNI 5732 6 X 16 ZB	4,00			--
0011		CUVR75815		BALL BEARING UBPFL203	2,00			--
0012		VTRS00503		WASHER D. 6 TE UNI 6798	4,00			--
0013		VTVT20196		SCREW EI-ST 8X20 UNI5923	1,00			--
0014		VEVR26677		IMPELLER D.200 L.50HE	1,00			--
0015		LAFN75832		BUSHING	1,00			--
0016		VTVT14062		SCREW TE 5X16 UNI5739	2,00			--
0017		VTRS00291		WASHER D. 5 X20 ZC UNI 6593	3,00			--
0018		VTVT62920		SCREW TE F/ROND. M 6X 16 ZB	4,00			--
0019		LAFN00641		SUPPORT MOTORE ASPIRAZ.ZINCATO	1,00			--
0020		LAFN26678		SUPPORT LOLY 50HE	1,00			--
0021		VTRS04026		WASHER D. 6X18X2.38	10,00			--
0022		VTVT75719		SCREW TE F/ROND. M 6 X 10	2,00			--
0023		MOCC75780		MOTOR D.77 12V	1,00			--
0024		LAFN26673		TRACT.MOT.SUPP.LOLY 50HE	1,00			--
0025		VTDD00491		NUT M 6 TEF	8,00			--
0026		VTVT85116		SCREW TE FR 6,3X19 ZIN	1,00			--
0027		VTVT00063		SCREW TCCE UNI 5931 6X50 ZB	4,00			--
0028		VTAE87276		SEEGER EXT. D10 DIN471	1,00			--
0029		MTPL37334		PULLEY D.80 H27 L.TE	1,00			--
0030		VTVT00003		SCREW TE M 4X 12 ZC. UNI 5739	1,00			--
0031		MTIG26670		TOOTHED WHEEL Z= 48 M. 2	1,00			--
0032		MTIG26668		TOOTHED WHEEL Z= 40 M. 2	1,00			--
0033		CUVR86373		BEARING 6000 2RS	1,00			--
0034		MLML37337		SPRING TR 112 H18	1,00		09/2012	--
0034		MLML45109		SPRING TR D. 12X1.7X79.5	1,00	09/2012		--
0035		LAFN00340		BRACKET TENDICINGHIA ECOL ZINCATA	1,00			--





Ref.	K	Part N.	Customer Part N.	Description	Qty	Validity:		Price
						From	To	
0036		VTAE17003		CIRCLIP D. 15 UNI 7435	1,00			--
0037		ALTR00002		TRACTION SHAFT ECOL 65T H.722,2	1,00			--
0038		VTVR26559		KEY 5X5X15	1,00			--
0039		CUVR37341		ROLLER BEARING HFL 1426	2,00			--
0040		MTCG75773		BELT M 32	1,00			--
0041		MTPL37340		PULLEY 112-1Z L.TE	1,00			--
0042		VTVT86570		GRUB SCREW M 6x10 UNI 5927	1,00			--
0043		VTRS00504		WASHER D. 8 TE ZC. UNI 6592	1,00			--
0044		LAFN00341		BRACKET COLLEG.TRAZ.ECOL 65 ZINC.	1,00			--
0045		VTVT00012		SCREW TE UNI 5387 8X12 ZB	1,00			--
0046		LAFN75909		SPACER D.12 H.3.5	2,00			--
0047		VTAE87082		SEEGER INTERNO DIN 472 D.22	2,00			--
0048		CUVR71988		BEARING 608 2RS	2,00			--
0049		MTPL37338		PULLEY L.50TE	2,00			--
0050		VTVT76018		SCREW	2,00			--
0051		VTVT75719		SCREW TE F/ROND. M 6 X 10	1,00			--
0052		MOCC26693		TRACTION MOTOR LOLY 50HE	1,00			--
0053		VTVR00036		GREASE-NIPPLE STAUFF PER RIDUTTORE	1,00			--
0054		VTDD00004		NUT M 6 ZC UNI5588	4,00			--
0055		MFVR00015		BODY X RIDUTTORE ECOL	1,00			--
0056		VTRS00023		WASHER DENTATA INT.UNI 6798 D.18	2,00			--
0057		VTVT00058		SCREW TCEI M 5X12 ZB U.5931	2,00			--
0058		LAFN00257		BUSHING RIDUTTORE ECOL	1,00			--
0059		VTRS75722		WASHER UNI 8841 D.5	1,00			--
0060		CUVR86373		BEARING 6000 2RS	1,00			--
0061		MTIG27310		TOOTHED WHEEL Z= 12- 30 M. ELIC.	1,00			--
0062		VTVR75729		KEY UNI 6604 3x3x15	1,00			--
0063		MTIG27788		TOOTHED WHEEL Z= 45 M. D.15-10 ELIC.	1,00			--
0064		CUVR27790		BALL BEARING 625	1,00			--
0065		MFVR00003		COVER PER RIDUTTORE ECOL	1,00			--
0066		VTRS63242		WASHER D. 6 X24 ZC	1,00			--
0067		LAFN75969		PIN D.9 H.33	1,00			--
0068		CUVR06174		BALL BEARING 6002-2RS1	1,00			--
0069		MTCG26671		BELT Z 28 LOLY 50HE	1,00			--
0070		VTDD00124		NUT M 8 BASSO	1,00			--
0071		VTRS00505		WASHER D.10 TE UNI 6592	1,00			--
0072		LAFN01070		PIN CH.17 M8 FISSAG.TENDICIN.	1,00			--