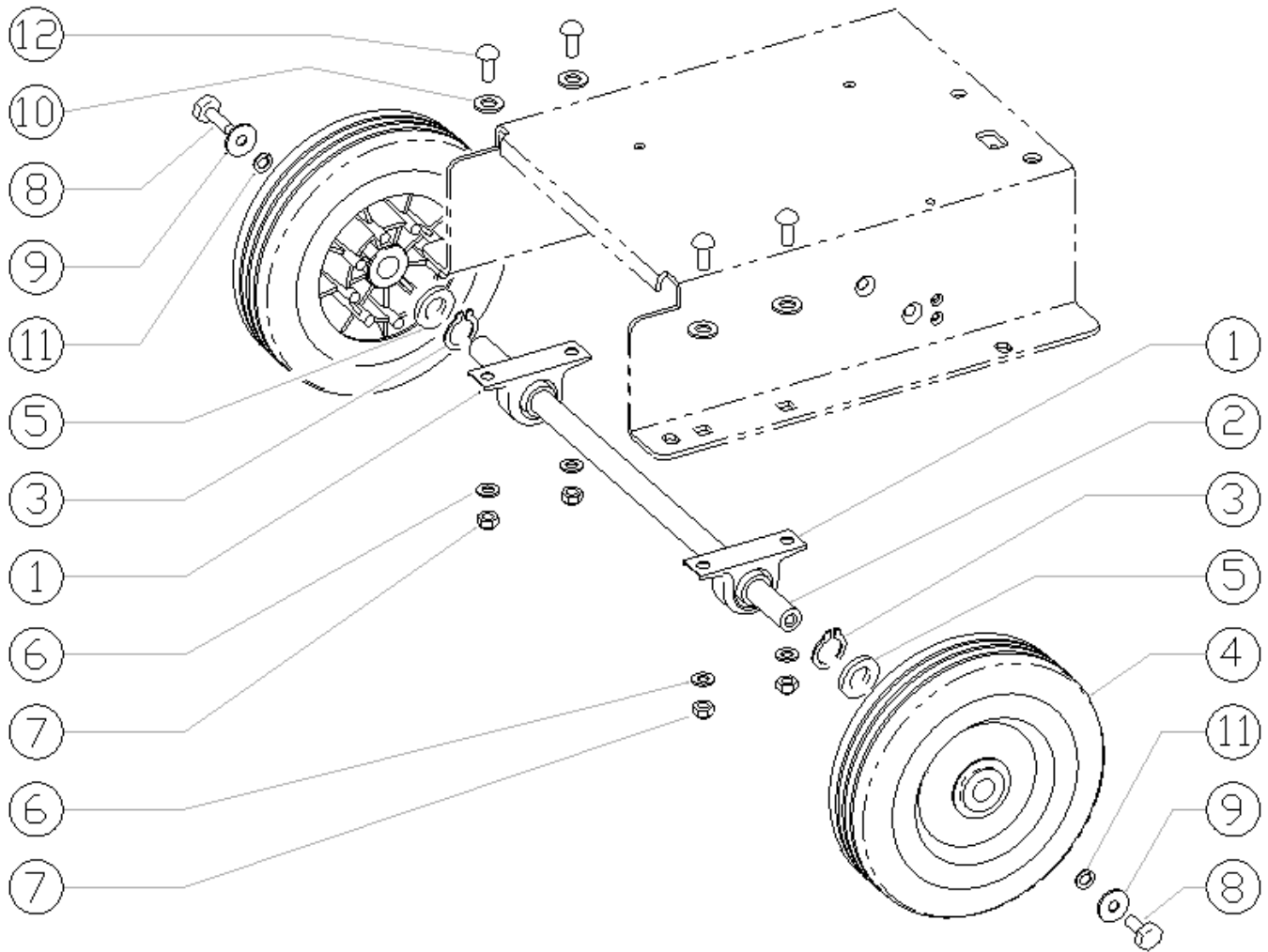


# Spare Parts List

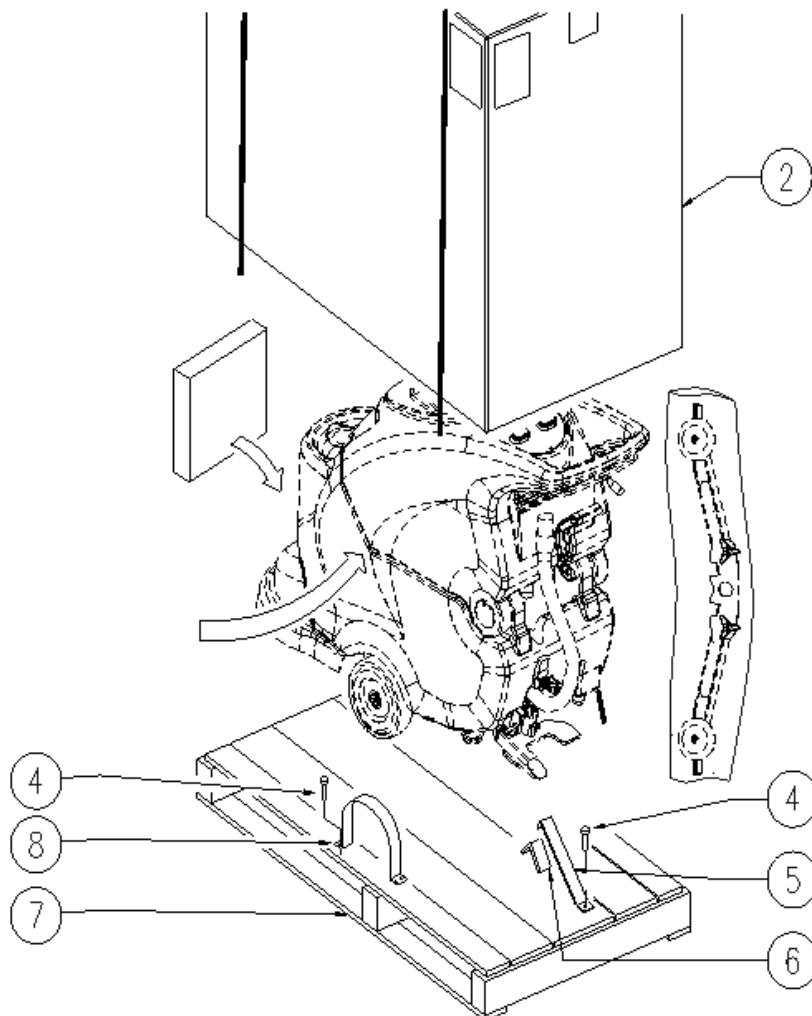


Ref: LPTE00546

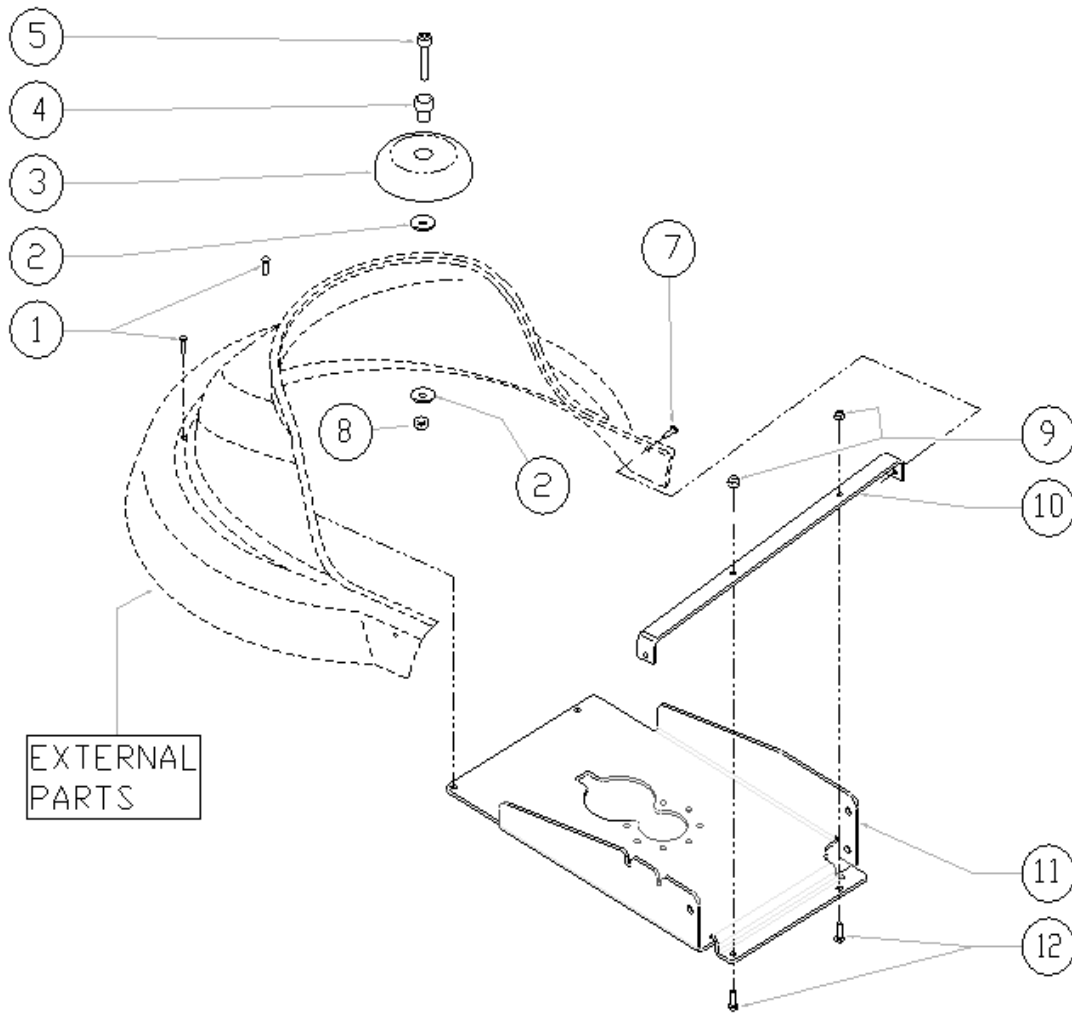
Model: CT40 C50 230V GR/VE 2012



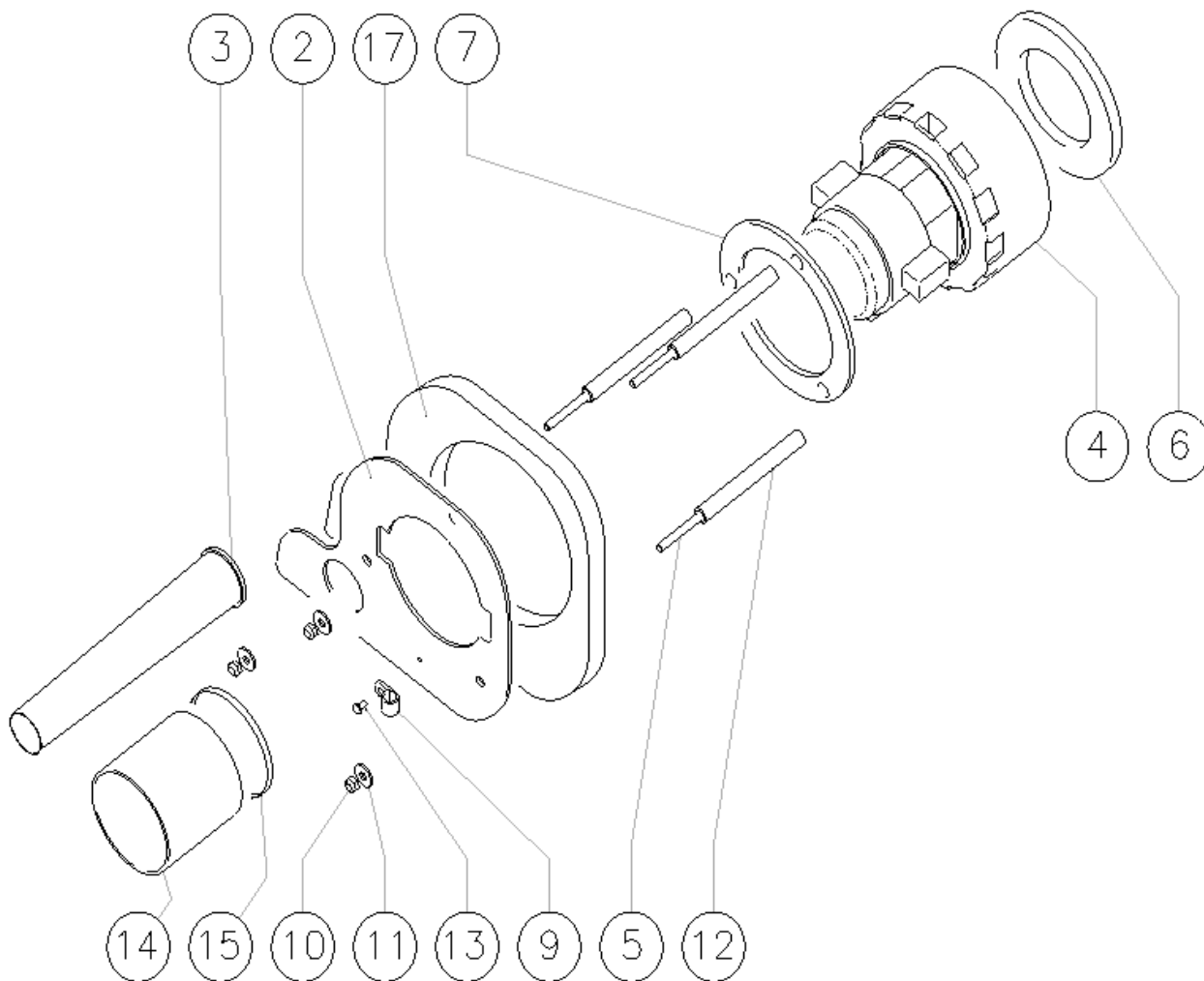
Ref.	K	Part N.	Customer Part N.	Description	Qty	Validity:		Price
						From	To	
0001		CUVR49833		BALL BEARING SBPP 203	2,00			--
0002		ALTR00088		AXLE -	1,00	05/2009		--
0002		LAFN35746		WHEELS AXLE LAV. E/B 450	1,00		05/2009	--
0003		VTAE00065		RING D17 UNI7435 INOX	2,00			--
0004		RTRT00366		WHEEL D200 X CLT 40	2,00			--
0005		VTRS00378		WASHER 17,5X32X1,5	4,00	09/2012		--
0005		VTRS21763		WASHER D.17	2,00		09/2012	--
0006		VTRS13947		WASHER D. 8 INX UNI 6592	4,00			--
0007		VTDD01695		NUT M 8 INX	4,00			--
0008		VTVT15916		SCREW TE M 8X 16 UNI 5739 A2	2,00			--
0009		VTRS13946		WASHER D. 8 X24 INX UNI 6593	2,00			--
0010		VTRS15978		WASHER D.12X24 UNI 6592 INX	4,00			--
0011		VTRS15146		WASHER D. 8 INX GRW UNI 1751	2,00			--
0012		VTVT00842		SCREW	4,00			--



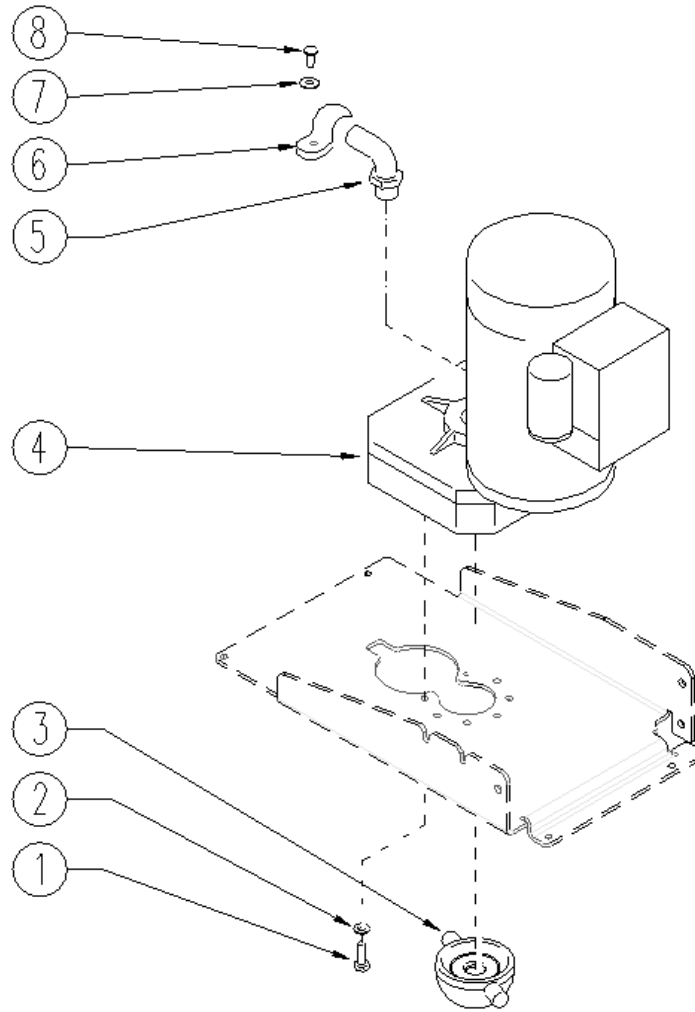
Ref.	K	Part N.	Customer Part N.	Description	Qty	Validity:		Price
						From	To	
0002		MICT00147		CARTON IMBALLO RULLI	1,00			--
0004		VTVT00043		SCREW AUTOF.LEGNO 4,5X25 TS BR	9,00			--
0005		MIVR00137		CLAMP RUOTA POSTERIORE X IMBAL.	1,00			--
0006		GUGO00009		MOUSSE	0,05			--
0007		MIBA00077		PALLET RULLI	1,00			--
0008		MIVR00135		CLAMP RUOTA POSTERIORE X IMBAL.	2,00			--



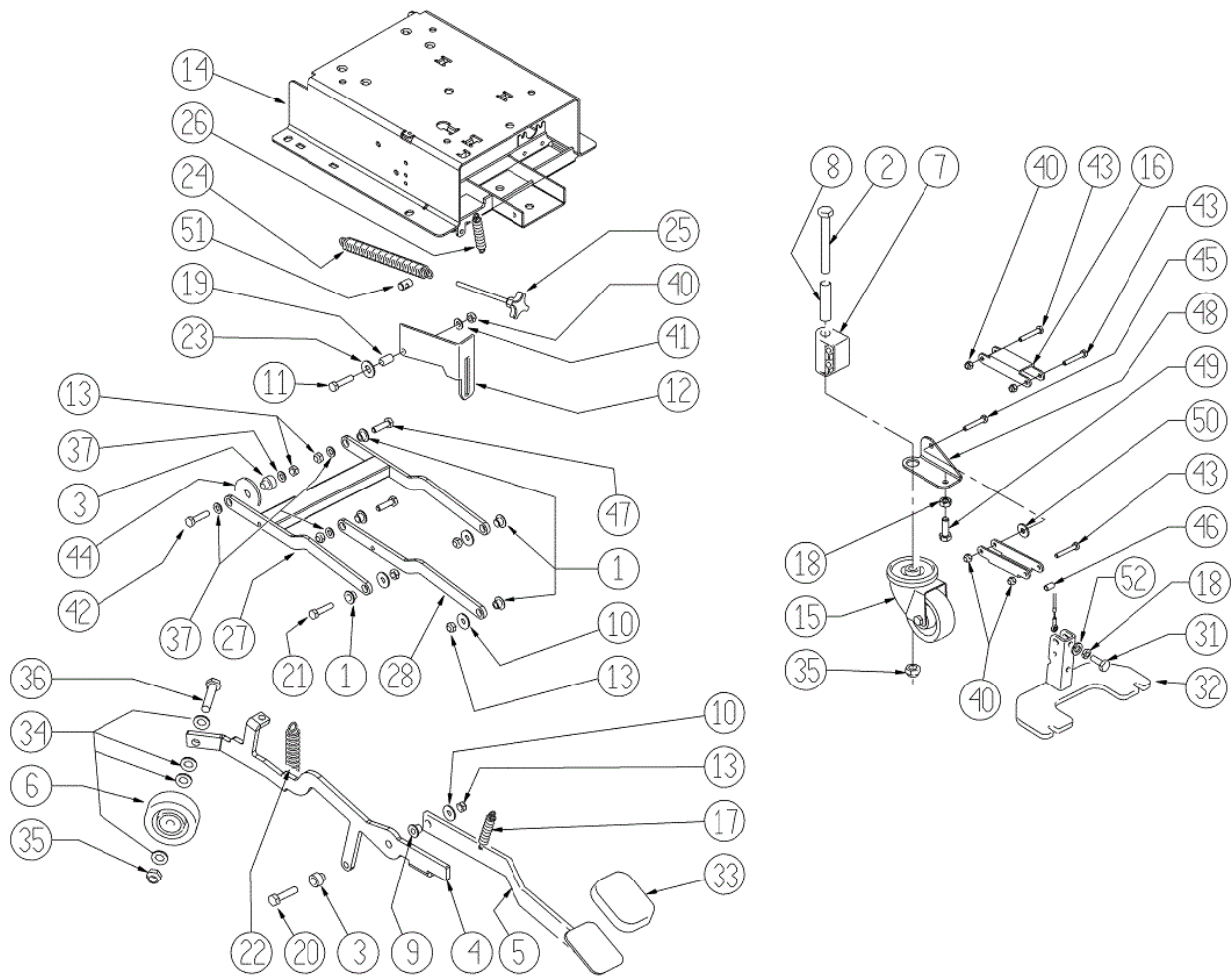
Ref.	K	Part N.	Customer Part N.	Description	Qty	Validity:		Price
						From	To	
0001		VTVT00659		SCREW TC+ M. 4-15	2,00		02/2010	--
0001		VTVT01366		SCREW M4X16	2,00	02/2010		--
0002		VTRS13946		WASHER D. 8 X24 INX UNI 6593	2,00			--
0003		MPVR05290		ROLLER PARACOLPI	1,00			--
0004		LAFN03915		BUSHING NUOVO RUOTINO STRONG	1,00			--
0005		VTVT00822		SCREW TCEI M 8-30	1,00	06/2009		--
0005		VTVT17349		SCREW TCEI M 8X30	1,00		06/2009	--
0007		VTVT01366		SCREW M4X16	2,00			--
0008		VTDD01695		NUT M 8 INX	1,00			--
0009		VTDD15518		NUT M 6 INX	2,00			--
0010		LAFN05899		SUPPORT BRACKET CARTER 1 EXTREME	1,00			--
0011		LAFN07373		PLATE RIDUTTORE	1,00			--
0012		VTVT15143		SCREW TE 6X16 UNI5739	2,00			--



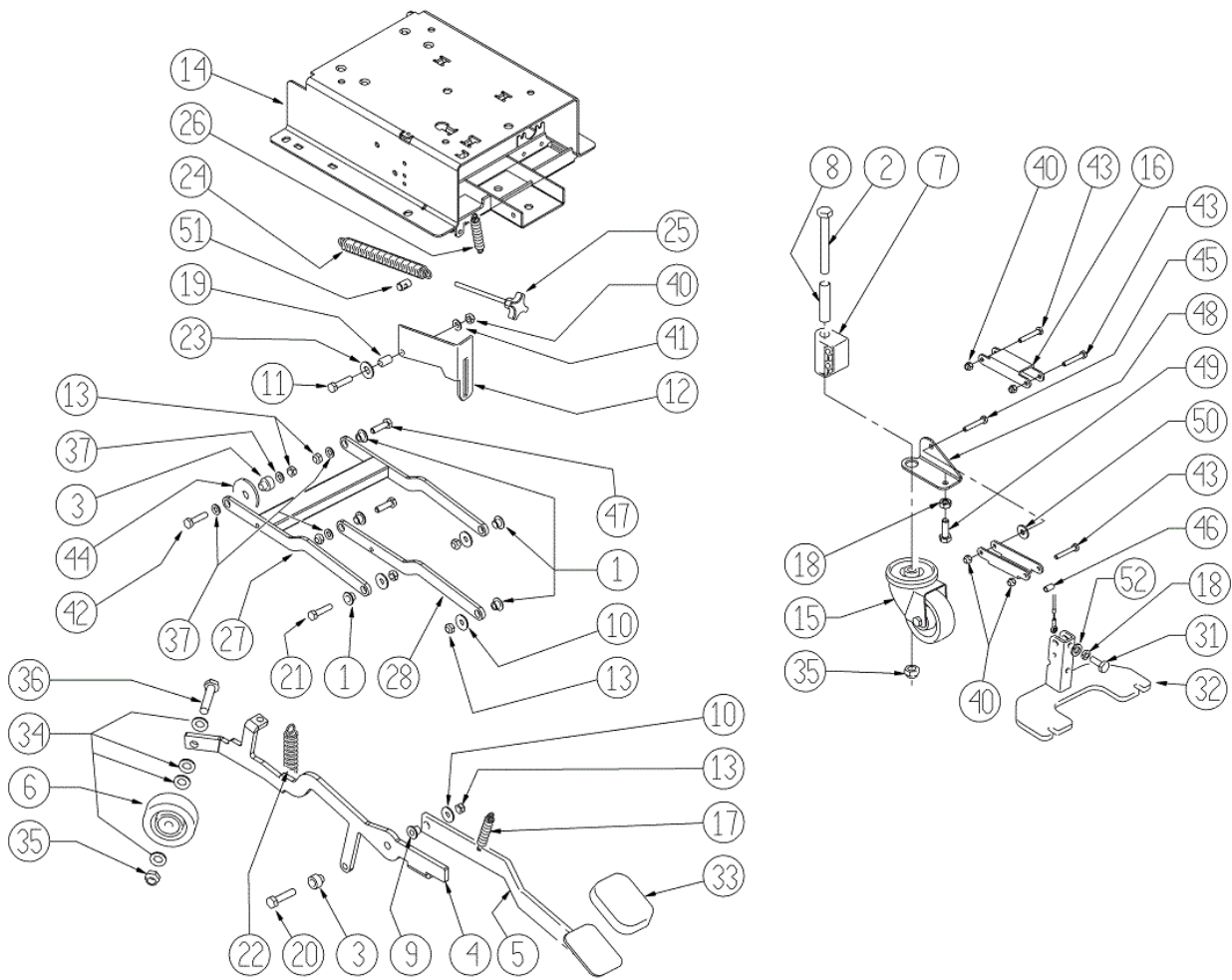
Ref. K	Part N.	Customer Part N.	Description	Qty	Validity:		Price
					From	To	
0002	LAFN06363		FLANGE ASPIRATORE	1,00			--
0003	MPVR05259		TUBE SCARICO	1,00	06/2007		--
0003	TBFX00244		TUBE D 34 L200MM	1,00		06/2007	--
0004	MOMO00214		MOTOR 240V	1,00			--
0005	VTVR00198		ROD	3,00			--
0006	GUGO00272		GASKET VACUUM MOTOR CT	1,00			--
0007	MPVR04724		FLANGE IN NYLON	1,00			--
0008	MPVR31077		BUSHING L.450	1,00		06/2007	--
0009	FSVR00099		CLAMP FERMATUBO	1,00			--
0010	VTDD01694		NUT M6 INOX	3,00			--
0011	VTRS13945		WASHER D. 6X18 INX UNI 6593	3,00			--
0012	LAFN51078		SPACER SH	3,00			--
0013	VTVT00813		SCREW M 4X 8 TCB-TC UNI 8112	1,00			--
0014	TBFX00268		SUCTION HOSE D80 L=80MM	1,00		04/2007	--
0014	TBFX00312		TUBE ASPIRAZIONE	1,00	05/2007		--
0015	FSVR00118		CLAMP D.94	1,00	05/2007		--
0015	FSVR00500		CLAMP 80-100 INOX	1,00		04/2007	--
0017	MPVR05103		SOUND-PROOFING ASPIRATORE	1,00			--



Ref.	K	Part N.	Customer Part N.	Description	Qty	Validity:		Price
						From	To	
0001		VTVT15906		SCREW TE 6X 12 A2 UNI 5739	7,00			--
0002		VTRS15144		WASHER D. 6 INX GRW UNI 1751	7,00			--
0003		MFVR00134		DRIVE DISK SPAZZOLE	1,00			--
0004		MOMO00239		MOTOR 230V	1,00			--
0005		RCVR00761		HOSE FITTING A GOMITO	1,00			--
0006		FSVR00099		CLAMP FERMATUBO	1,00			--
0007		VTRS00515		WASHER D. 4 INX	1,00			--
0008		VTVT21887		SCREW TCB-TC 4X10 8112	1,00			--

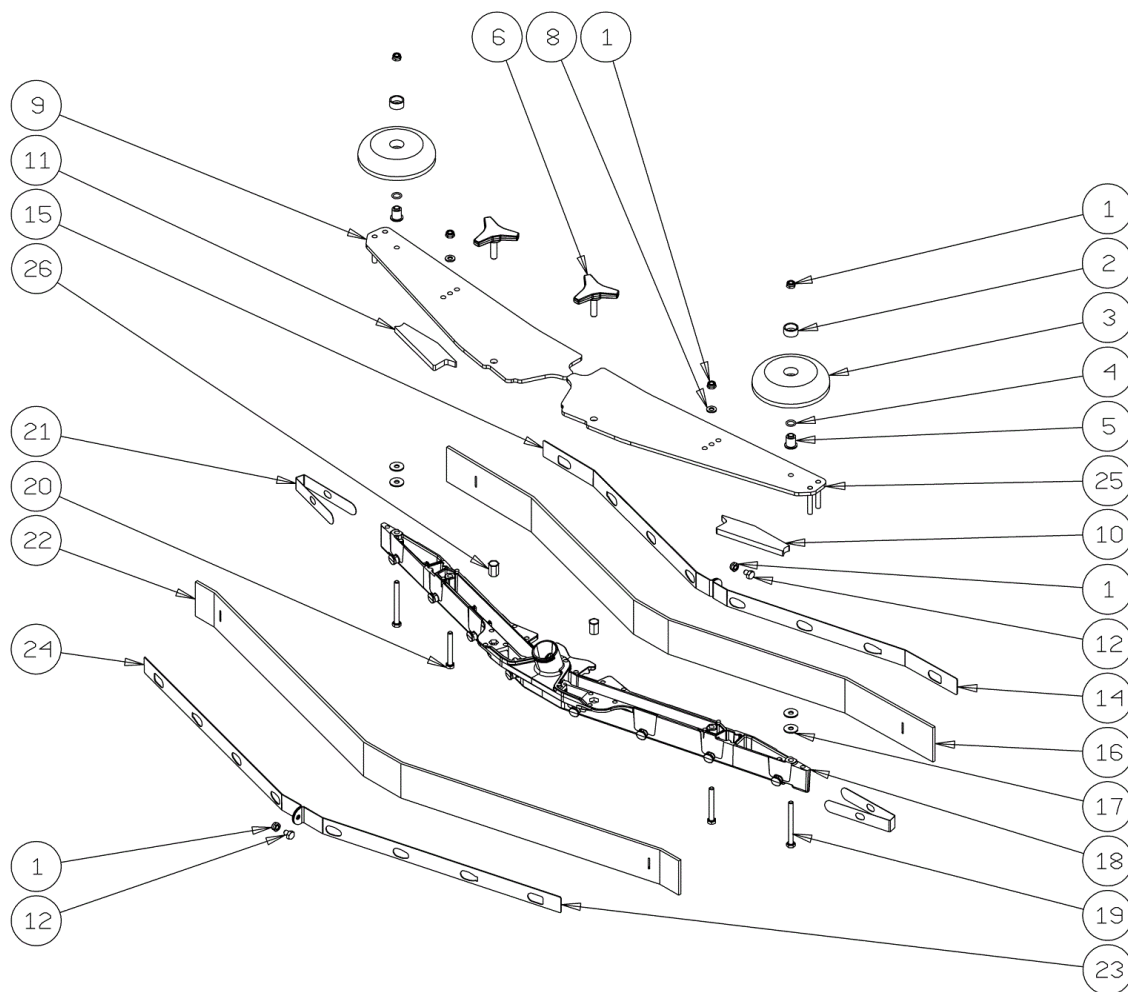


Ref.	K	Part N.	Customer Part N.	Description	Qty	Validity:		Price
						From	To	
0001		LAFN06391		BUSHING PARALLELOGRAMMA	5,00			--
0002		VTVT24212		SCREW TE M 12X100 UNI 5737 INOX	1,00			--
0003		LAFN04190		BUSHING PARALLELOGR.TEST.GR.	2,00			--
0004		LAFN07872		LEVER -	1,00			--
0005		LAFN07602		LEVER -	1,00		06/2013	--
0005		LAFN09270		PEDALE -	1,00	07/2013		--
0006		RTRT49171		CASTER D. 80-12	1,00			--
0007		MPVR04734		BLOCK TERGI	1,00			--
0008		LAFN09006		PIN -	1,00			--
0009		LAFN51068		BUSHING LEVA POSTER.	1,00			--
0010		VTRS13946		WASHER D. 8 X24 INX UNI 6593	4,00			--
0011		VTVT00161		SCREW TE M6X20	1,00			--
0012		LAFN10124		PLATE -	1,00			--
0013		VTDD01695		NUT M 8 INX	7,00			--
0014		LAFN07293		BASE SERBATOIO	1,00			--
0015		RTRT00276		SMALL WHEEL GIREVOLE PER SPAZZANTE	1,00			--
0016		LAFN05853		LEVER ARM SOLLEVAMENTO TERGI	2,00			--
0017		MLML34726		SPRING TR E350 N	1,00			--
0018		VTDD15521		NUT M 8 INX A2 UNI 5588	1,00			--
0019		LAFN03840		BUSHING -	1,00			--
0020		VTVT15917		SCREW TE M 8X50 INOX A2 UNI	1,00			--
0021		VTVT15907		SCREW TE 8X25 UNI5739 INX	3,00			--
0022		MLML00313		SPRING -	1,00			--
0023		VTRS00274		WASHER NYLON 66 D.8,4-17-2 UNI	1,00			--
0024		MLML31130		SPRING D. 17.5 X110 N38	1,00			--
0025		VTVR35749		HANDWHEEL M 6MAX110 D.35	1,00			--
0026		MLML00303		SPRING REGISTRAZIONE FLAP	1,00			--
0027		LAFN06388		ARM TESTATA SUPERIORE	1,00			--
0028		LAFN06389		ARM PARALLELOGRAMMA	1,00			--
0031		VTVT00410		SCREW TE M8x35 UNI5739 INOX	1,00			--
0032		LAFN07560		PLATE -	1,00			--
0033		MPVR05186		COVER -	1,00			--
0034		VTRS15978		WASHER D.12X24 UNI 6592 INX	4,00			--
0035		VTDD00176		NUT M.12 INOX A2 BASSO AUTOB.	2,00			--
0036		VTVT00836		SCREW TE M12-60 INOX	1,00			--
0037		VTRS13947		WASHER D. 8 INX UNI 6592	4,00			--
0040		VTDD01694		NUT M6 INOX	5,00			--
0041		VTRS00245		WASHER D.6 UNI 6592 INOX	1,00			--
0042		VTVT00410		SCREW TE M8x35 UNI5739 INOX	1,00			--

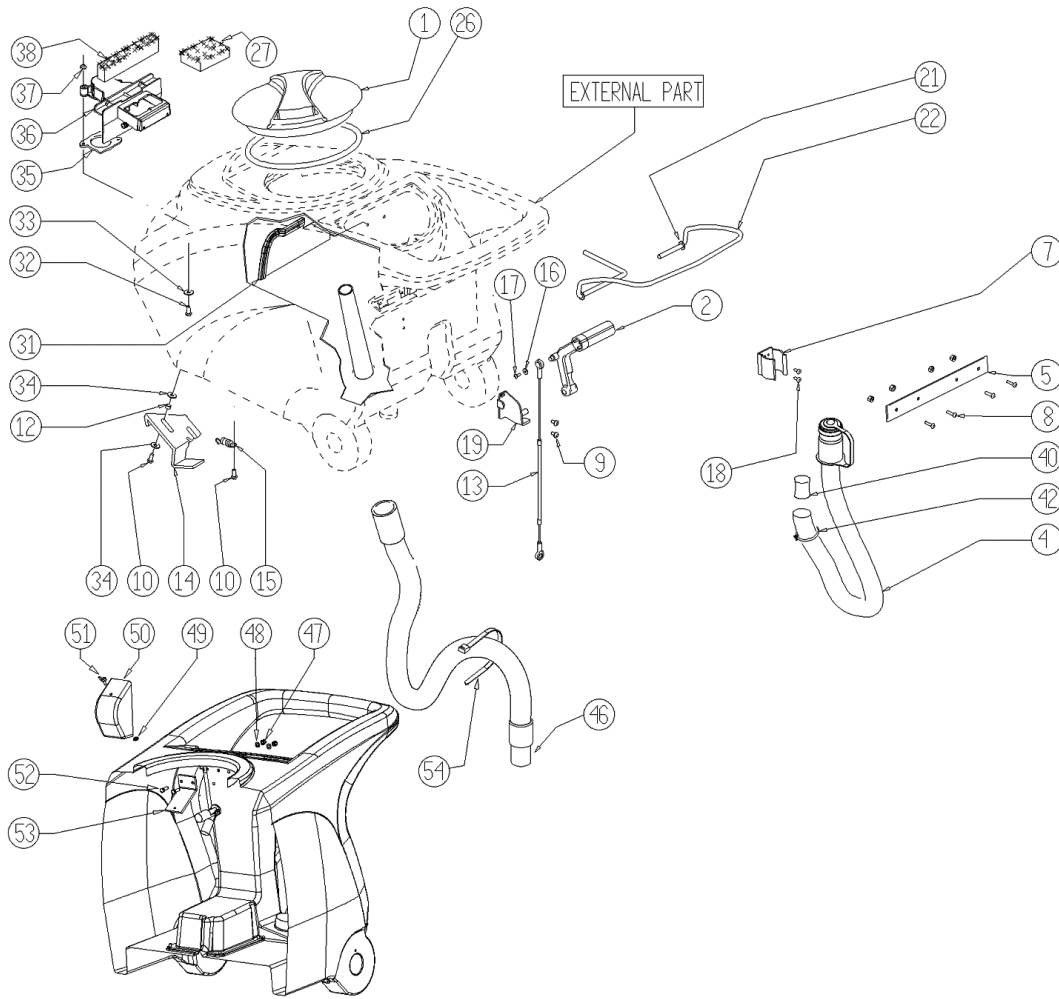


Ref.	K	Part N.	Customer Part N.	Description	Qty	Validity:		Price
						From	To	
0043		VTVT01683		SCREW TE 6X40	3,00			--
0044		MPVR05134		GASKET D.60 FORO D.12 SP.2	1,00			--
0045		VTVT01684		SCREW TE 6X45	1,00			--
0046		LAFN06898		SPACER 6-8 h15	1,00			--
0047		VTVT13937		SCREW TE M 8X 30 INX UNI 5739	2,00			--
0048		LAFN08999		BRACKET -	1,00			--
0049		VTVT13938		SCREW TE 8X20 UNI5739 INX	1,00			--
0050		VTRS13945		WASHER D. 6X18 INX UNI 6593	1,00			--
0051		LAFN35747		SPRING SUPPORT LAV. E/B 450	1,00			--
0052		VTRS15146		WASHER D. 8 INX GRW UNI 1751	1,00	03/2013		--

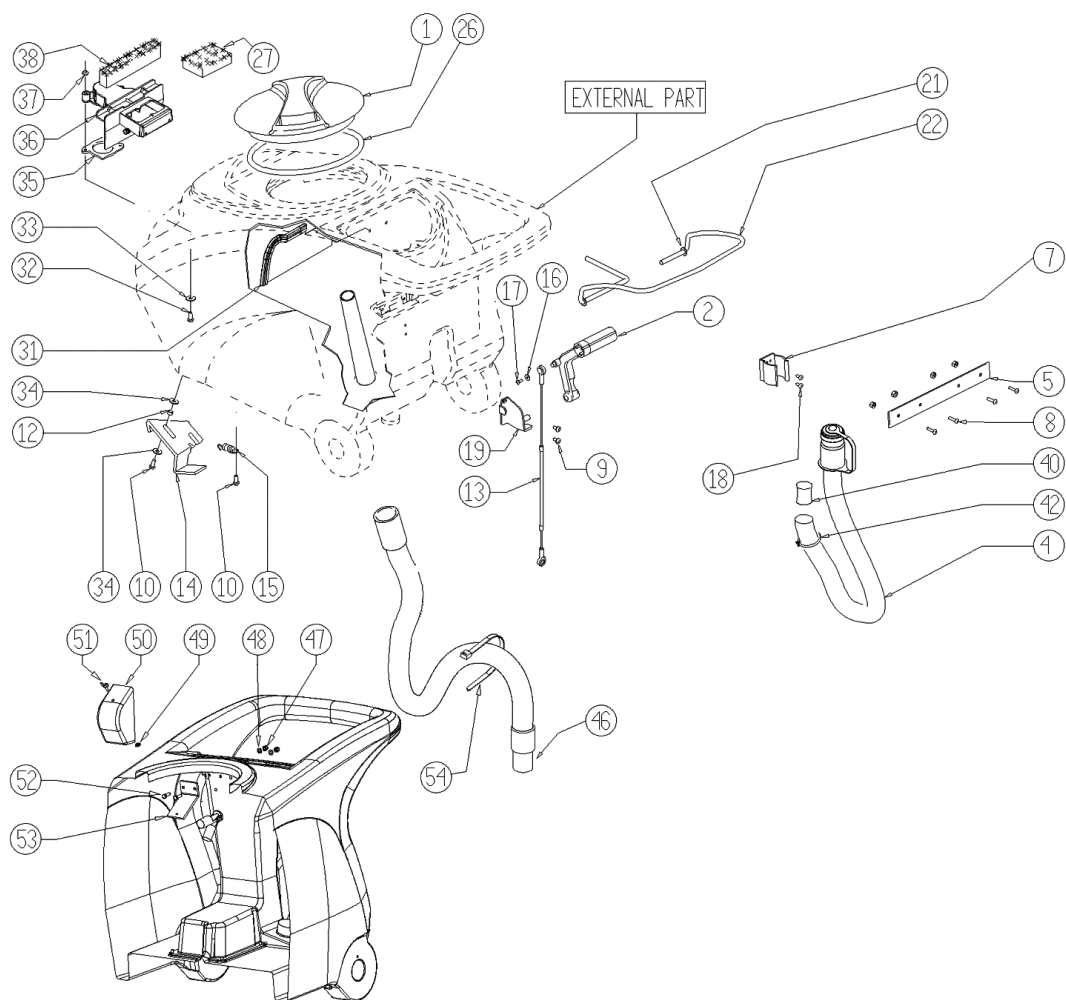




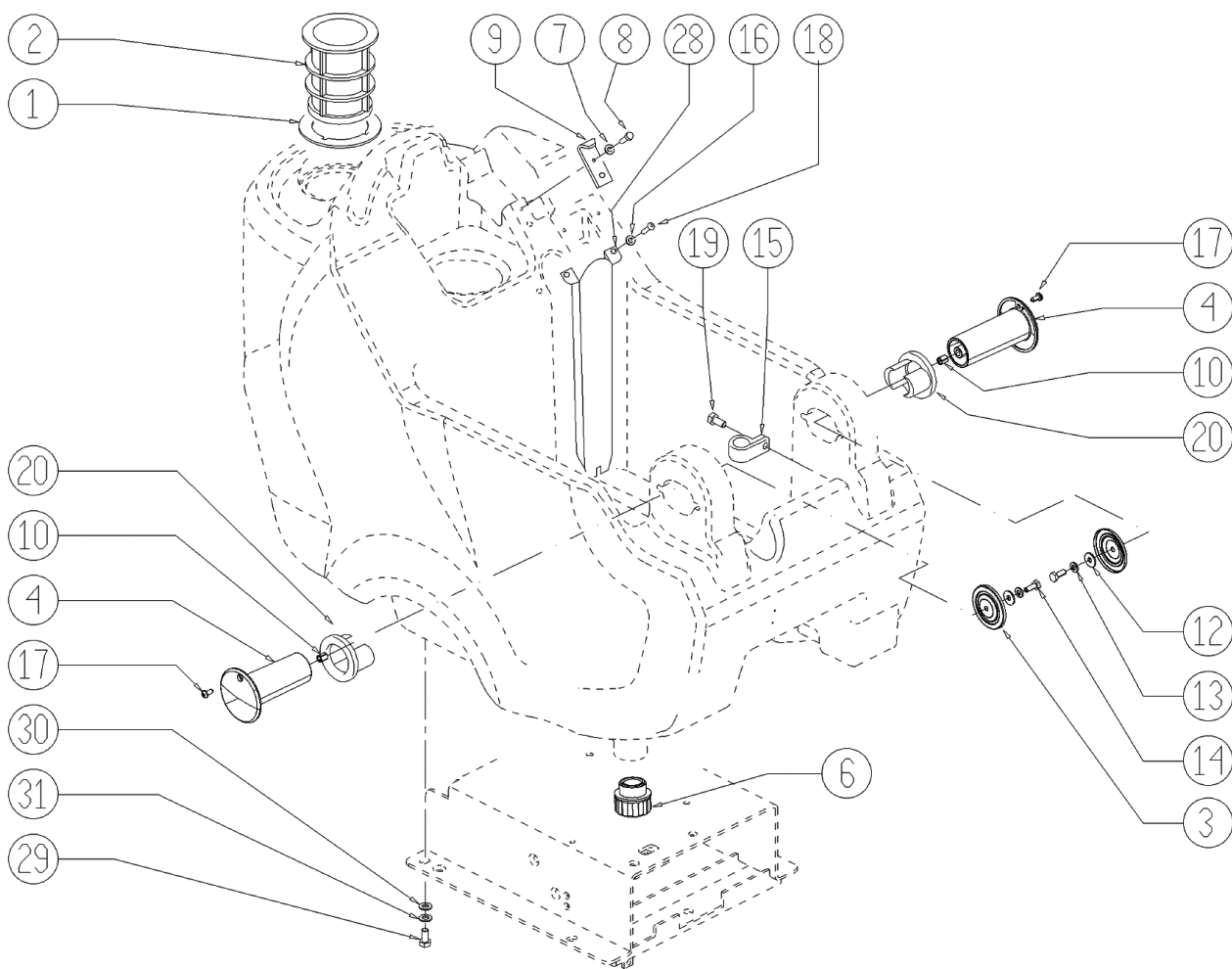
Ref.	K	Part N.	Customer Part N.	Description	Qty	Validity:		Price
						From	To	
0001		VTDD01694		NUT M6 INOX	6,00			--
0002		MPVR49229		BUSHING SHK	2,00			--
0003		MPVR05290		ROLLER PARACOLPI	2,00			--
0004		GUGO00164		GASKET	2,00			--
0005		LAFN04100		SPACER PER RUOTINO PARACOLPI	2,00			--
0006		MPVR06003		KNOB AISI 304	2,00		03/2013	--
0006		MPVR06004		KNOB AISI 304	2,00	03/2013		--
0008		VTRS00245		WASHER D.6 UNI 6592 INOX	2,00			--
0009		LAFN09012		PLATE -	1,00			--
0010		GUVR00301		GASKET -	1,00			--
0011		GUVR00300		GASKET -	1,00			--
0012		VTVT01161		SCREW M6x8	2,00			--
0014		LAFN08948		BRACKET -	1,00			--
0015		LAFN08949		BRACKET -	1,00			--
0016		MPVR05800		RUBBER BLADE FRONT SQUEEGEE S PU	1,00			--
0017		VTRS13945		WASHER D. 6X18 INX UNI 6593	4,00			--
0018		KTRI02048		BODY SQUEEGEE PRESSOFUSO "S"	1,00			--
0019		VTVT00841		SCREW TE M 6X65 UNI 5739 INX	2,00			--
0020		VTVT15515		SCREW TE M 6X 50 INOX A2	2,00			--
0021		MPVR05897		CLOSURE S	2,00			--
0022		MPVR05802		RUBBER REAR SQUEEGEE S PU	1,00			--
0023		LAFN08950		BRACKET -	1,00			--
0024		LAFN08951		BRACKET -	1,00			--
0025		LAFN09013		PLATE -	1,00			--
0026		VTVR00565		INSERT -	2,00			--



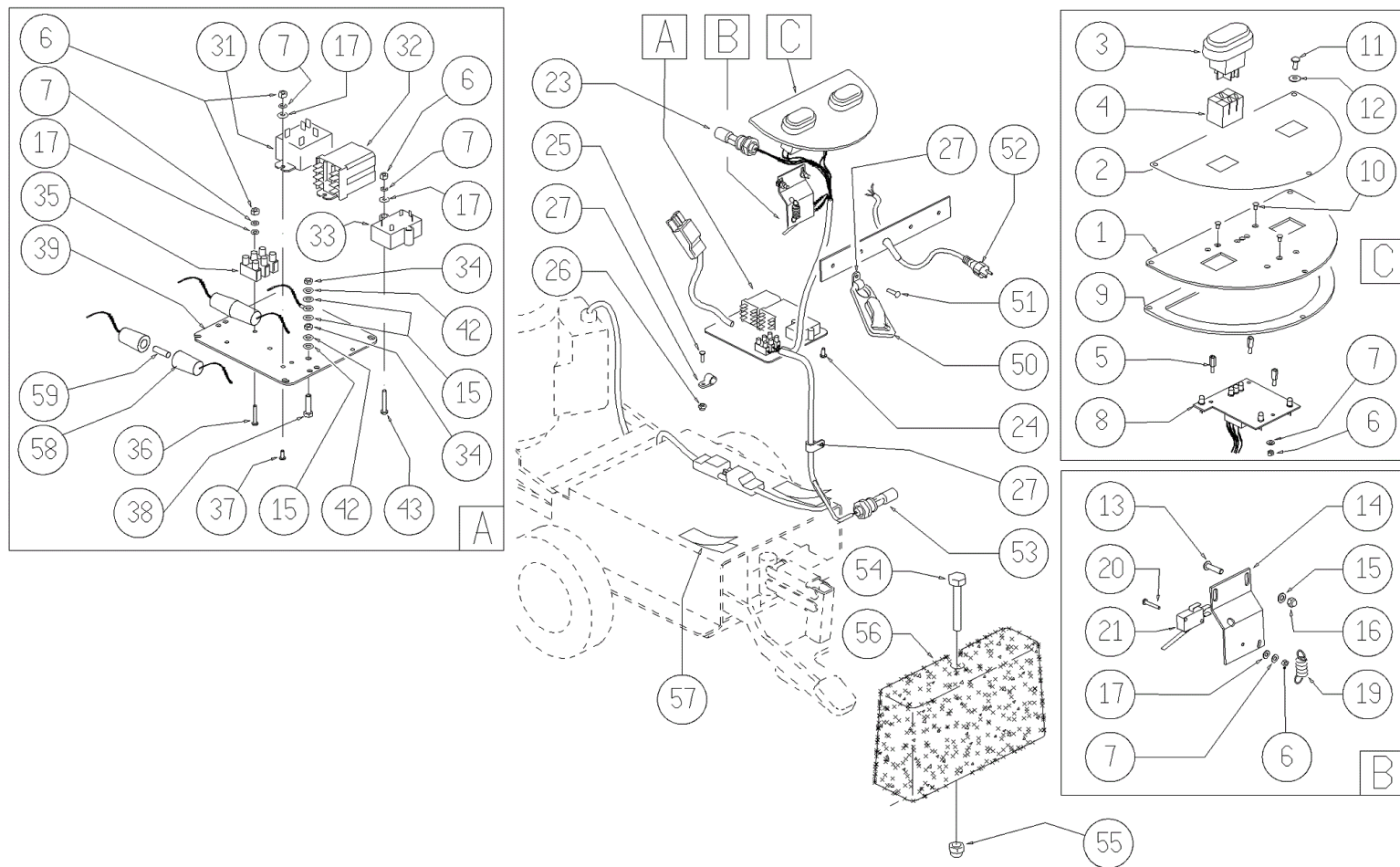
Ref.	K	Part N.	Customer Part N.	Description	Qty	Validity:		Price
						From	To	
0001		MPVR04051		TANK CAP	1,00			--
0002		MPVR49942		LEVER SHK PP	1,00			--
0003		VTDD01694		NUT M6 INOX	4,00			--
0004		TBFX00348		TUBE CT40-70-90 HOSE DRAIN	1,00		04/2013	--
0004		TBFX00358		TUBE PU CT40/70/90	1,00	04/2013		--
0005		LAFN05865		PLATE COPRILEVA CONSENSO	1,00			--
0007		MPVR46988		CLIP LAV. SHK	1,00			--
0008		VTVT07725		SCREW TE 5X16 UNI5739 INX	4,00			--
0009		VTVT15906		SCREW TE 6X 12 A2 UNI 5739	2,00			--
0010		VTVT15143		SCREW TE 6X16 UNI5739	3,00			--
0012		LAFN03626		SPACER	1,00			--
0013		CMCV00361		CABLE -	1,00			--
0014		LAFN06490		HANDLE	1,00			--
0015		MLML00203		SPRING	1,00			--
0016		VTRS00251		WASHER 4-16 INOX A2	1,00			--
0017		VTVT00800		SCREW TC 4X12 ZN	1,00			--
0018		VTVT21096		SCREW TE M 4X 10 INX	2,00			--
0019		LAFN05870		BRACKET LEVA SOLLEVAM. SQUEEGEE	1,00			--
0021		VTRS13947		WASHER D. 8 INX UNI 6592	2,00			--
0022		LAFN05861		LEVER CONSENSO SPAZZOLE	1,00			--
0026		GUGO00263		GASKET CIRCOLARE TAPPO	1,00			--
0027		FTDP00133		FILTER	1,00			--
0031		MPVR07074		PLATE -	1,00			--
0032		VTVT00814		SCREW TE M.4-25	2,00			--
0033		VTRS00515		WASHER D. 4 INX	2,00			--
0034		VTRS00274		WASHER NYLON 66 D.8,4-17-2 UNI	4,00			--
0035		GUGO00417		GASKET SCATOLA ASPIRAZIONE	1,00			--
0036		MPVR05482		BOX -	1,00			--
0037		VTDD15925		NUT M 4 INX	2,00			--
0038		GUGO00418		GASKET CONDOTTO ASPIRAZIONE	1,00			--
0040		GUGO00245		GASKET	2,00			--
0042		FSVR43136		CLAMP D. 35-40 DF.	1,00			--
0046		TBFX00353		TUBE PU CT70-CT90	1,00			--
0047		VTDD01693		NUT M 5 INX	2,00			--
0048		VTRS00516		WASHER D. 5 INX	4,00			--
0049		VTVR01038		WASHER -	1,00			--
0050		MPVR05596		PROTECTION -	1,00			--
0051		VTVT01150		SCREW 4x10	1,00			--
0052		VTVT07726		SCREW TE 5X20	2,00			--



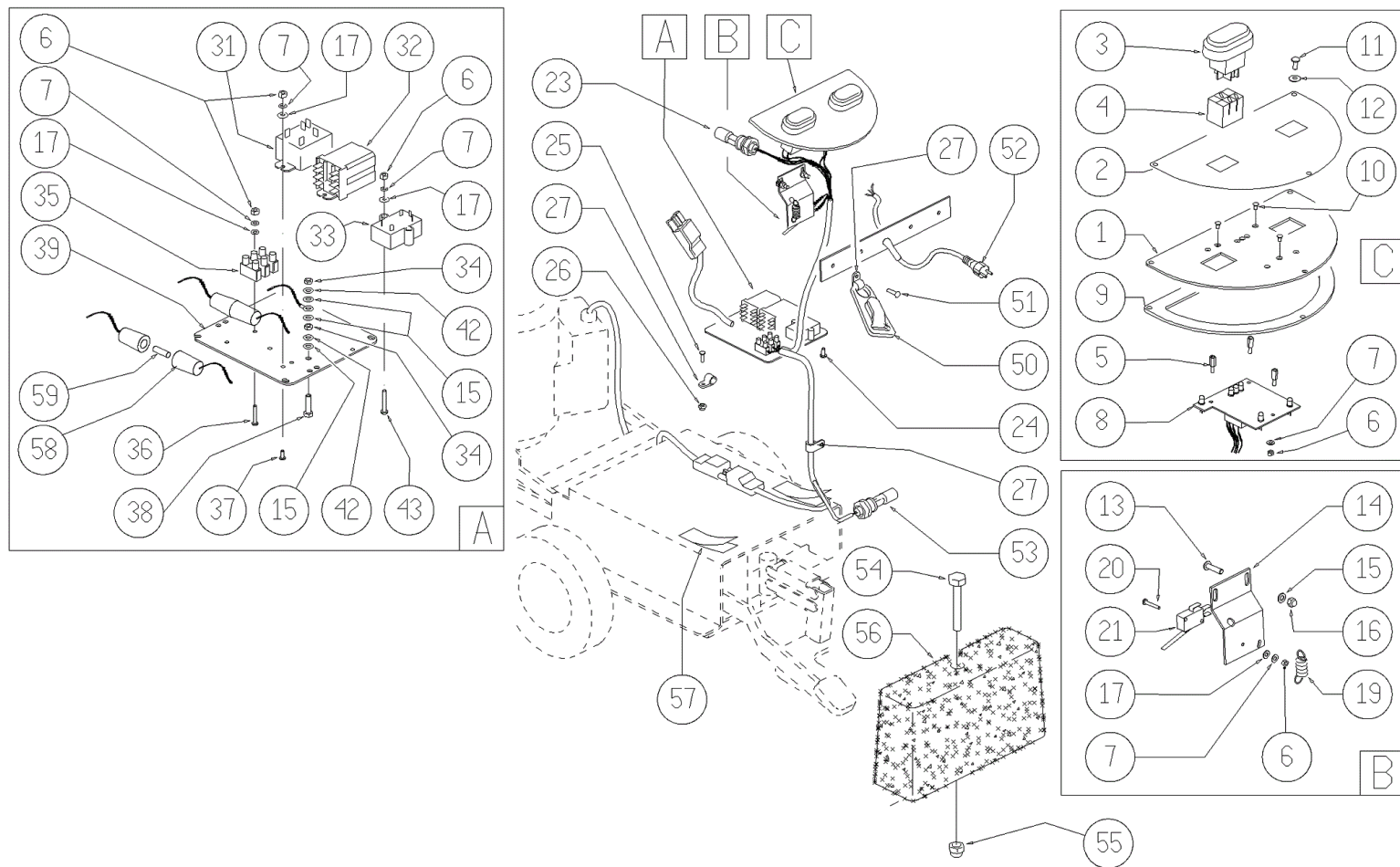
Ref.	K	Part N.	Customer Part N.	Description	Qty	Validity:		Price
						From	To	
0053		LAFN07631		BRACKET -	1,00			--
0054		FSVR00248		CLAMP -	1,00			--



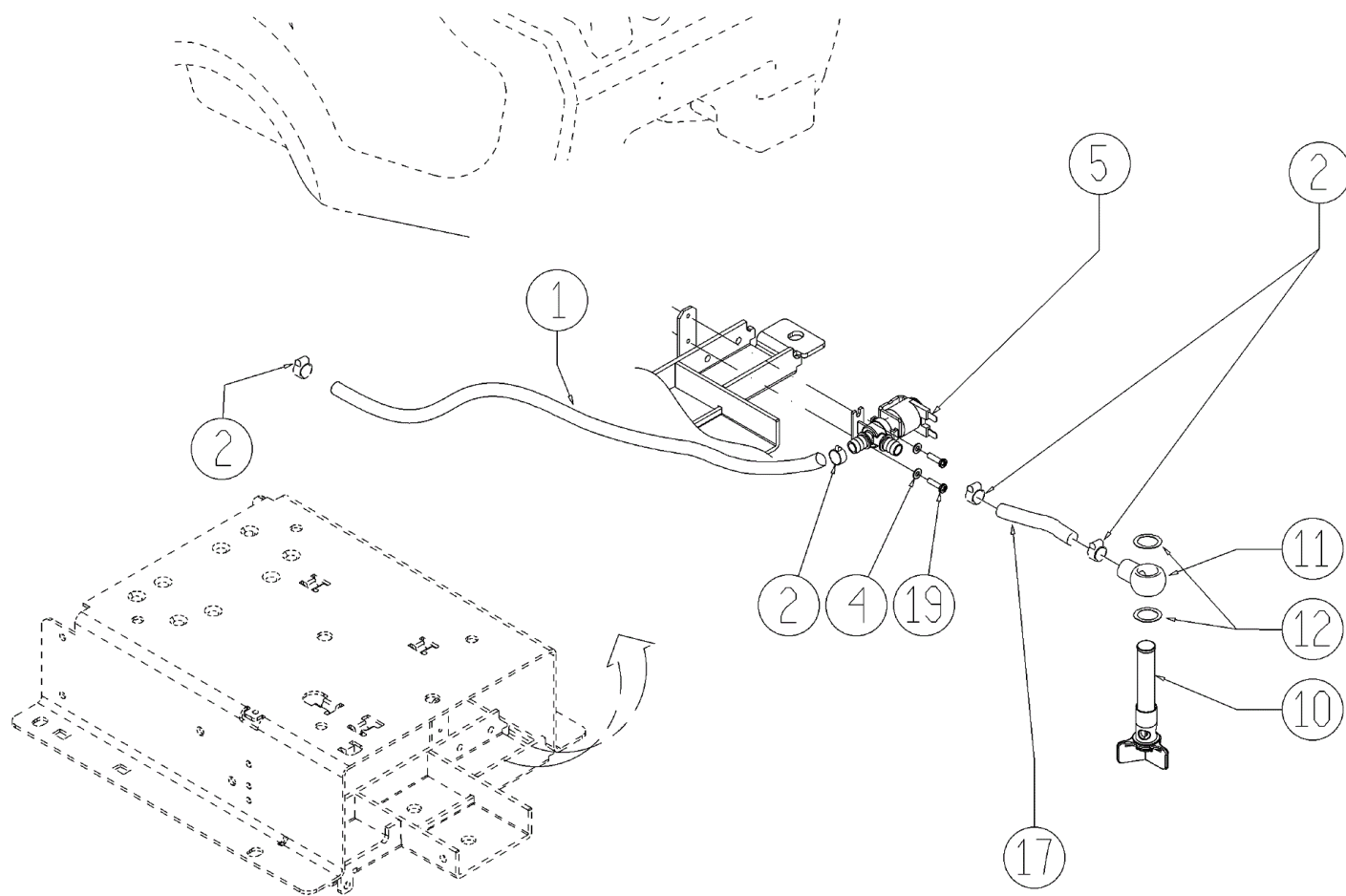
Ref.	K	Part N.	Customer Part N.	Description	Qty	Validity:		Price
						From	To	
0001		GUGO00267		GASKET FILTRO	1,00			--
0002		FTAC48857		FILTER ASP. ACQUA SERB. LAVAP.	1,00			--
0003		LAFN07800		SHEET METAL PA.-	2,00			--
0004		MPVR48695		PIN SHK.BK	2,00			--
0006		MPVR08003		CAP	1,00			--
0007		VTRS15144		WASHER D. 6 INX GRW UNI 1751	1,00			--
0008		VTVT01303		SCREW TE M6-10 INOX	1,00			--
0009		LAFN06489		PLATE	1,00			--
0010		VTVR48693		INSERT M6 D.9	1,00			--
0012		VTRS13945		WASHER D. 6X18 INX UNI 6593	2,00			--
0013		VTRS15144		WASHER D. 6 INX GRW UNI 1751	2,00			--
0014		VTVT15143		SCREW TE 6X16 UNI5739	2,00			--
0015		FSVR00099		CLAMP FERMATUBO	2,00			--
0016		VTRS00515		WASHER D. 4 INX	2,00			--
0017		VTVT48694		SCREW TCB TC 5 X12 UNI 9707 TZ	2,00			--
0018		VTVT37012		SCREW M 4X 10 TCB-TC INX	2,00			--
0019		VTVT15961		SCREW M 5X 16 TCB TC UNI 7687	1,00			--
0020		PMVR02028		RUBBER GRUPPO MONTAGGIO	2,00			--
0028		MPVR51085		FLAP POSTER.TERGI 950 MAGG.	1,00			--
0029		VTVT15916		SCREW TE M 8X 16 UNI 5739 A2	4,00			--
0030		VTRS13947		WASHER D. 8 INX UNI 6592	4,00			--
0031		VTRS00269		WASHER D. 8 DIN 6798-A INX A2	4,00			--



Ref.	K	Part N.	Customer Part N.	Description	Qty	Validity: From To	Price
0001		LAFN06488		SHEET METAL PA.PANNELLO COMANDI	1,00		--
0002		ETET01379		LABEL CLT 40 230V	1,00		--
0003		MECI00383		SWITCH TTR/L BIP. 230V	2,00		--
0004		MECI00384		BASE 401	2,00		--
0005		LAFN04047		SPACER X SCHEDE M3 15x8x8	3,00		--
0006		VTDD21115		NUT M 3 INOX	13,00		--
0007		VTRS00268		WASHER D.3	13,00		--
0008		MECE00397		BOARD CT40 C 230V	1,00		--
0009		GUGO38417		GASKET PANN.COM.EXTREME	1,00		--
0010		VTVT00865		SCREW TSP-TC M 3X 6 UNI7688 INX	3,00		--
0011		VTVT37012		SCREW M 4X 10 TCB-TC INX	3,00		--
0012		VTRS00515		WASHER D. 4 INX	3,00		--
0013		VTVT07725		SCREW TE 5X16 UNI5739 INX	2,00		--
0014		LAFN05904		PLATE MICRO LEVA	1,00		--
0015		VTRS00516		WASHER D. 5 INX	5,00		--
0016		VTDD15517		NUT M 5 INX	2,00		--
0017		VTRS21116		WASHER D. 3 INX	8,00		--
0019		MLML34726		SPRING TR E350 N	1,00		--
0020		VTVT01316		SCREW TC+ M3-16	2,00		--
0021		MECI36393		MICROSWITCH TRZ. DRW	1,00		--
0023		MECI00516		SENSOR DI LIVELLO ORIZZONTALE	1,00		--
0024		VTVT07521		SCREW TCB 5X10	4,00		--
0025		VTVT00681		SCREW	2,00		--
0026		VTDD15925		NUT M 4 INX	2,00		--
0027		FSVR00099		CLAMP FERMATUBO	4,00		--
0031		MERL00005		SWITCH RELAY finder 230v-50hz	1,00		--
0032		MERL48877		RELAY 628282300000 230V	1,00		--
0033		MECE31132		FILTER LC LAVAM. FL.	1,00		--
0034		VTDD07727		NUT M 5 INOX	2,00		--
0035		MEVR01110		TERMINAL BOARD 3 POS PA27	1,00		--
0036		VTVT00633		SCREW M 3X 20 TCB-TC BK.U.7687	2,00		--
0037		VTVT00722		SCREW	4,00		--
0038		VTVT00766		SCREW TE M. 5-25	1,00		--
0039		LAFN06549		PLATE CABLAGGIO PRINCIPALE CLT	1,00		--
0042		VTRS15908		WASHER D. 5 INX GRW UNI 1751	2,00		--
0043		VTVT00765		CARRYNG BAG	2,00		--
0050		MEVR01252		CUT PREVENTER CAVO ELETTRICO TIPO 500	1,00		--
0051		VTVT15961		SCREW M 5X 16 TCB TC UNI 7687	4,00		--
0052		MECB00945		CABLE ALIMENTAZ. 3X1.5 L=650	1,00		--

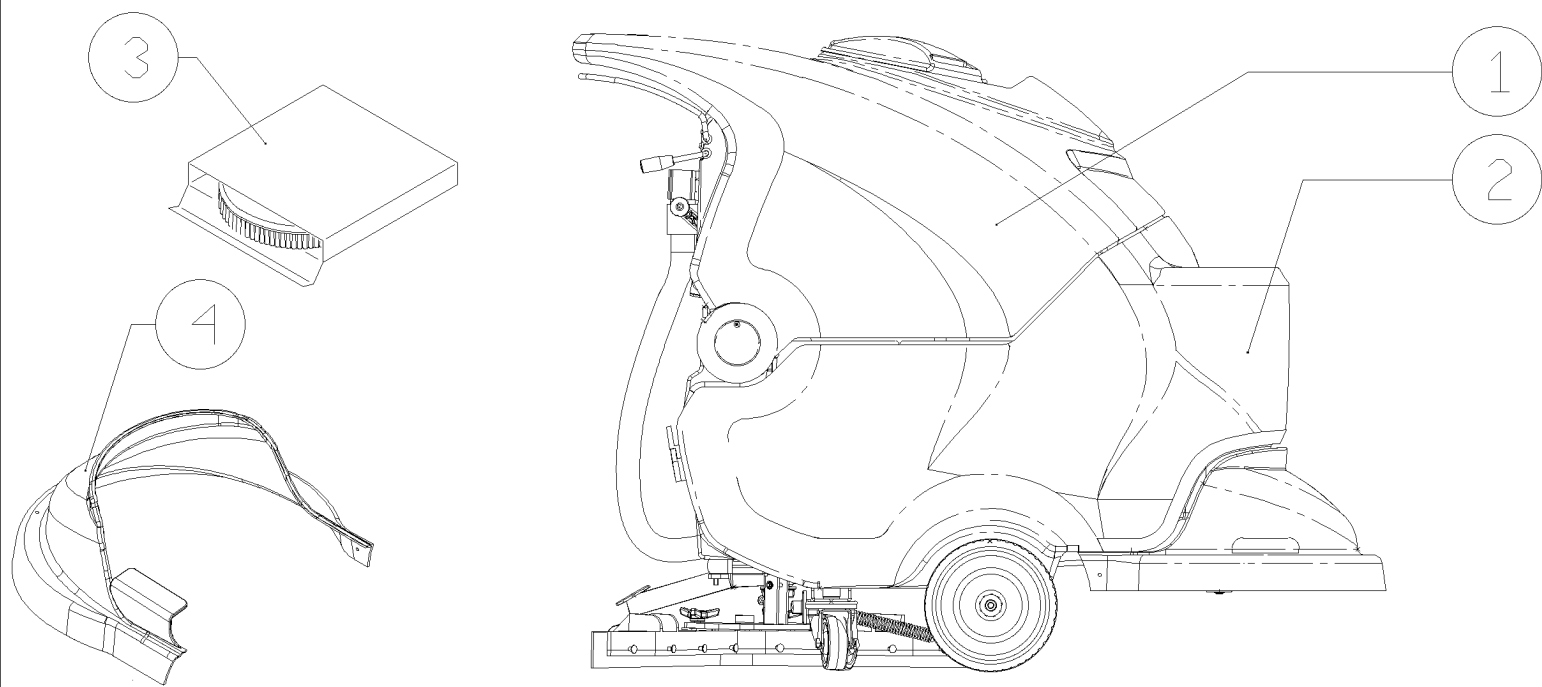


Ref.	K	Part N.	Customer Part N.	Description	Qty	Validity:		Price
						From	To	
0053		MECI00516		SENSOR DI LIVELLO ORIZZONTALE	1,00			--
0054		VTVT24212		SCREW TE M 12X100 UNI 5737 INOX	1,00			--
0055		VTDD00176		NUT M.12 INOX A2 BASSO AUTOB.	1,00			--
0056		MFVR00204		WEIGHT	1,00			--
0057		GUGO00009		MOUSSE	2,00			--
0058		MEVR01401		FUSE CARRIER VOLANTE OMEGA	2,00			--
0059		MEVR02825		FUSE 5X20 5A	2,00			--



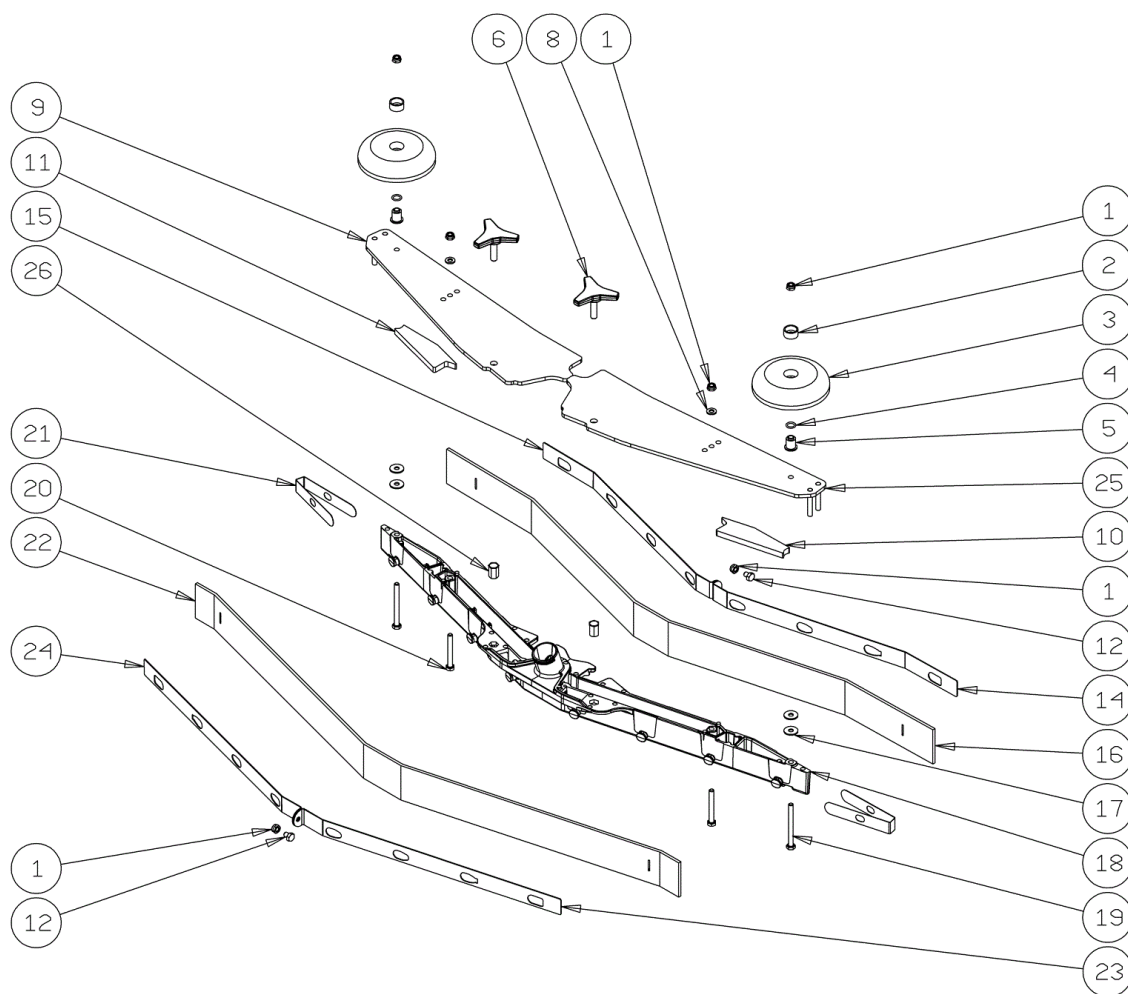
Ref.	K	Part N.	Customer Part N.	Description	Qty	Validity:		Price
						From	To	
0001		TBFX48011		TUBE FLEX D.12X3 ARMORV.PVC TR	0,71			--
0002		FSVR00428		CLAMP D. 12-20	4,00			--
0004		VTRS00515		WASHER D. 4 INX	2,00			--
0005		MEEV00031		SOLENOID VALVE	1,00			--
0010		MPVR05221		FILTER COMPLETO	1,00		02/2013	--
0010		MPVR06303		FILTER CT40-70-90	1,00	02/2013		--
0011		LAFN07783		CONNECTOR -	1,00			--
0012		VTRS00567		WASHER 1/2	2,00			--
0017		TBFX48011		TUBE FLEX D.12X3 ARMORV.PVC TR	0,17			--
0019		VTVT01158		SCREW M4x16	2,00			--



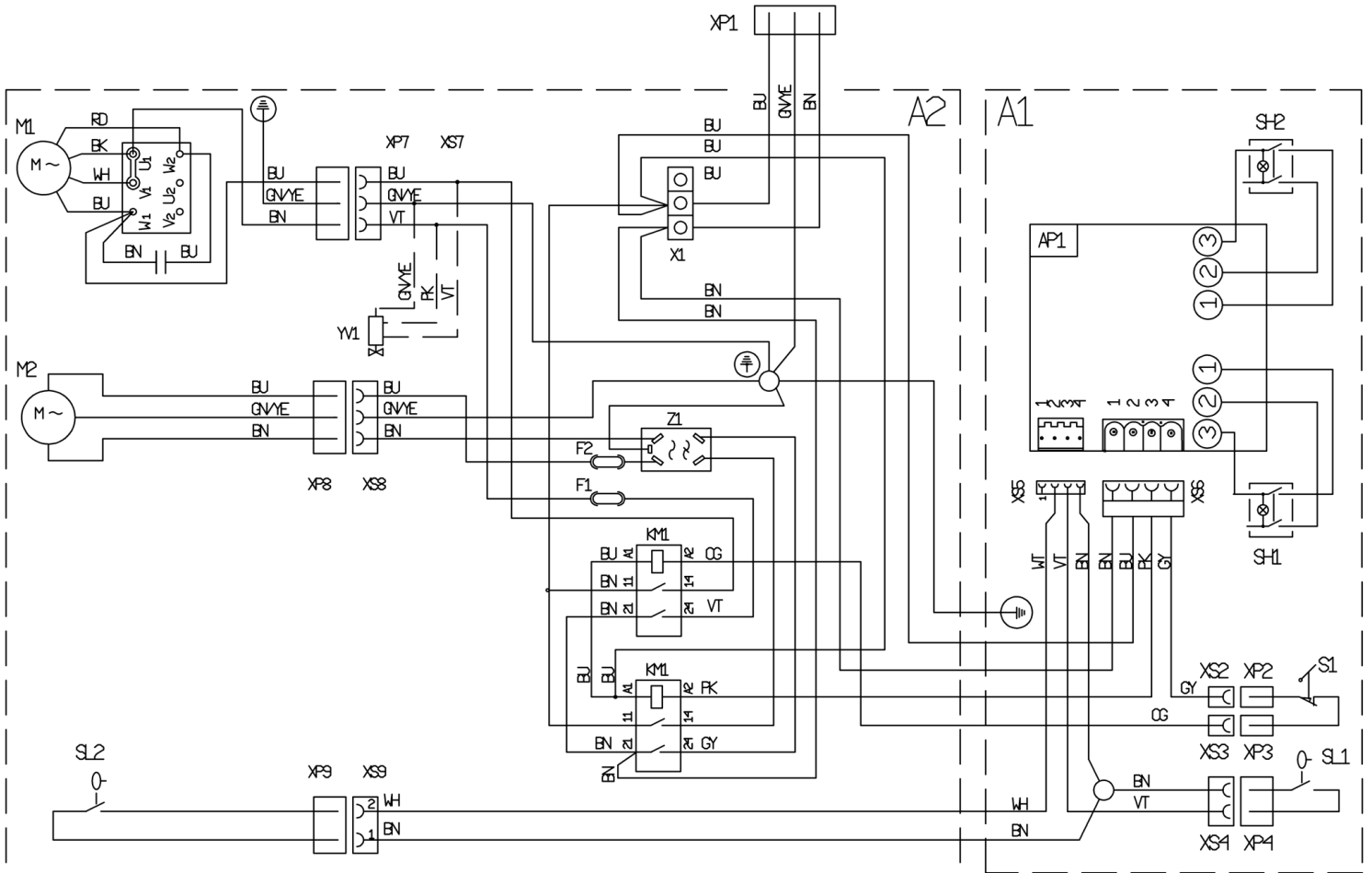


Ref.	K	Part N.	Customer Part N.	Description	Qty	Validity:		Price
						From	To	
0001		MPVR07066		TANK RECOVERY CT40 PANTONE 368	1,00			--
0002		MPVR05090		TANK SOLUTION RAL7024	1,00			--
0003		SPPV43963		BRUSH NYL 0.8 500	1,00			--
0004		MPVR04722		BRUSH PROTECT. 55	1,00			--





Ref.	K	Part N.	Customer Part N.	Description	Qty	Validity:		Price
						From	To	
0001		VTDD01694		NUT M6 INOX	6,00			--
0002		MPVR49229		BUSHING SHK	2,00			--
0003		MPVR05290		ROLLER PARACOLPI	2,00			--
0004		GUGO00164		GASKET	2,00			--
0005		LAFN04100		SPACER PER RUOTINO PARACOLPI	2,00			--
0006		MPVR06003		KNOB AISI 304	2,00		03/2013	--
0006		MPVR06004		KNOB AISI 304	2,00	03/2013		--
0008		VTRS00245		WASHER D.6 UNI 6592 INOX	2,00			--
0009		LAFN09012		PLATE -	1,00			--
0010		GUVR00301		GASKET -	1,00			--
0011		GUVR00300		GASKET -	1,00			--
0012		VTVT01161		SCREW M6x8	2,00			--
0014		LAFN08948		BRACKET -	1,00			--
0015		LAFN08949		BRACKET -	1,00			--
0016		MPVR08039		BLADE S LATEX	1,00			--
0017		VTRS13945		WASHER D. 6X18 INX UNI 6593	4,00			--
0018		KTRI02048		BODY SQUEEGEE PRESSOFUSO "S"	1,00			--
0019		VTVT00841		SCREW TE M 6X65 UNI 5739 INX	2,00			--
0020		VTVT15515		SCREW TE M 6X 50 INOX A2	2,00			--
0021		MPVR05897		CLOSURE S	2,00			--
0022		MPVR08035		BLADE S LATEX	1,00			--
0023		LAFN08950		BRACKET -	1,00			--
0024		LAFN08951		BRACKET -	1,00			--
0025		LAFN09013		PLATE -	1,00			--
0026		VTVR00565		INSERT -	2,00			--



Ref.	K	Part N.	Customer Part N.	Description	Qty	Validity:		Price
						From	To	
AP1		MECE00397		BOARD CT40 C 230V	1,00			--
F1		MEVR01112		CARRYNG BAG	1,00			--
F2		MEVR00118		FUSE 4A 250V 5X20	1,00			--
KM1		MERL00005		SWITCH RELAY finder 230v-50hz	1,00			--
KM2		MERL48877		RELAY 628282300000 230V	1,00			--
M1		MOMO00239		MOTOR 230V	1,00			--
M2		MOMO00214		MOTOR 240V	1,00			--
S1		MECI36393		MICROSWITCH TRZ. DRW	1,00			--
SH1		MECI00383		SWITCH TTR/L BIP. 230V	1,00			--
SH2		MECI00383		SWITCH TTR/L BIP. 230V	1,00			--
SL1		MECI00516		SENSOR DI LIVELLO ORIZZONTALE	1,00			--
SL2		MECI00516		SENSOR DI LIVELLO ORIZZONTALE	1,00			--
X1		MEVR01549		CARRYNG BAG	1,00			--
XP1		MECB00945		CABLE ALIMENTAZ. 3X1.5 L=650	1,00			--
XP2		MEVR01157		CONNECTOR COPRI FASTON MASCHIO	1,00			--
XP3		MEVR01157		CONNECTOR COPRI FASTON MASCHIO	1,00			--
XP4		MEVR01139		CONNECTOR 2 POS. M.	1,00			--
XP7		MEVR01313		CONNECTOR SPINA 3 P.RIF.93	1,00			--
XP8		MEVR01313		CONNECTOR SPINA 3 P.RIF.93	1,00			--
XP9		MEVR01283		CONNECTOR STAGNO CPL 2M	1,00			--
XS2		MEVR01156		FASTON COVER FEMMINA	1,00			--
XS3		MEVR01156		FASTON COVER FEMMINA	1,00			--
XS4		MEVR01140		CONNECTOR 2 POS. F.	1,00			--
XS5		MECI00276		CONNECTOR 1 QUATTRO VIE	1,00			--
XS6		MEVR01535		CONNECTOR SAURO COF 4 P	1,00			--
XS7		MEVR01312		CONNECTOR PRESA 3 P.	1,00			--
XS8		MEVR01312		CONNECTOR PRESA 3 P.	1,00			--
XS9		MEVR01284		CONNECTOR STAGNO CPL 2F	1,00			--
Y1		MEEV00031		SOLENOID VALVE	1,00			--
Z1		MECE31132		FILTER LC LAVAM. FL.	1,00			--