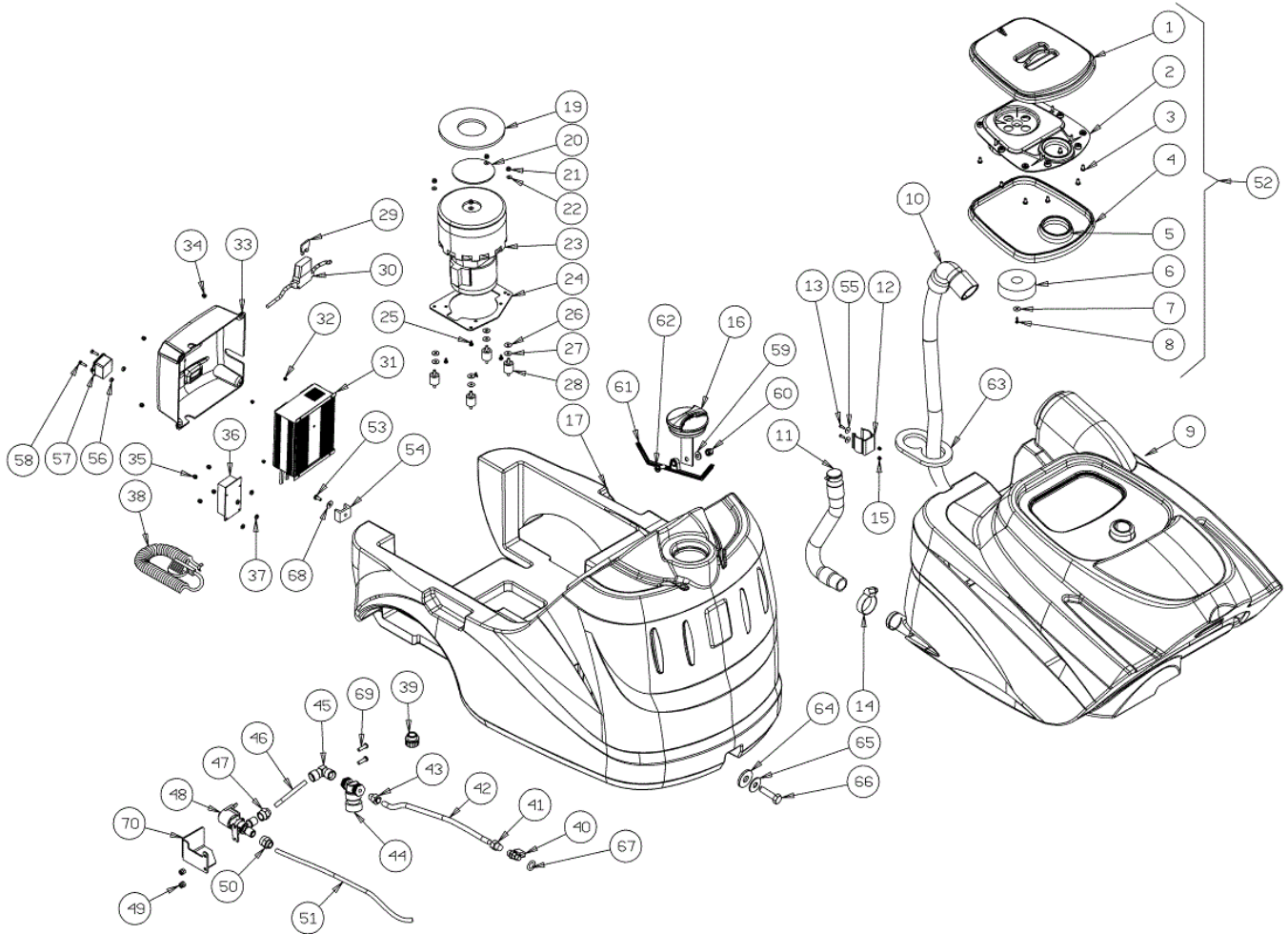


# Spare Parts List

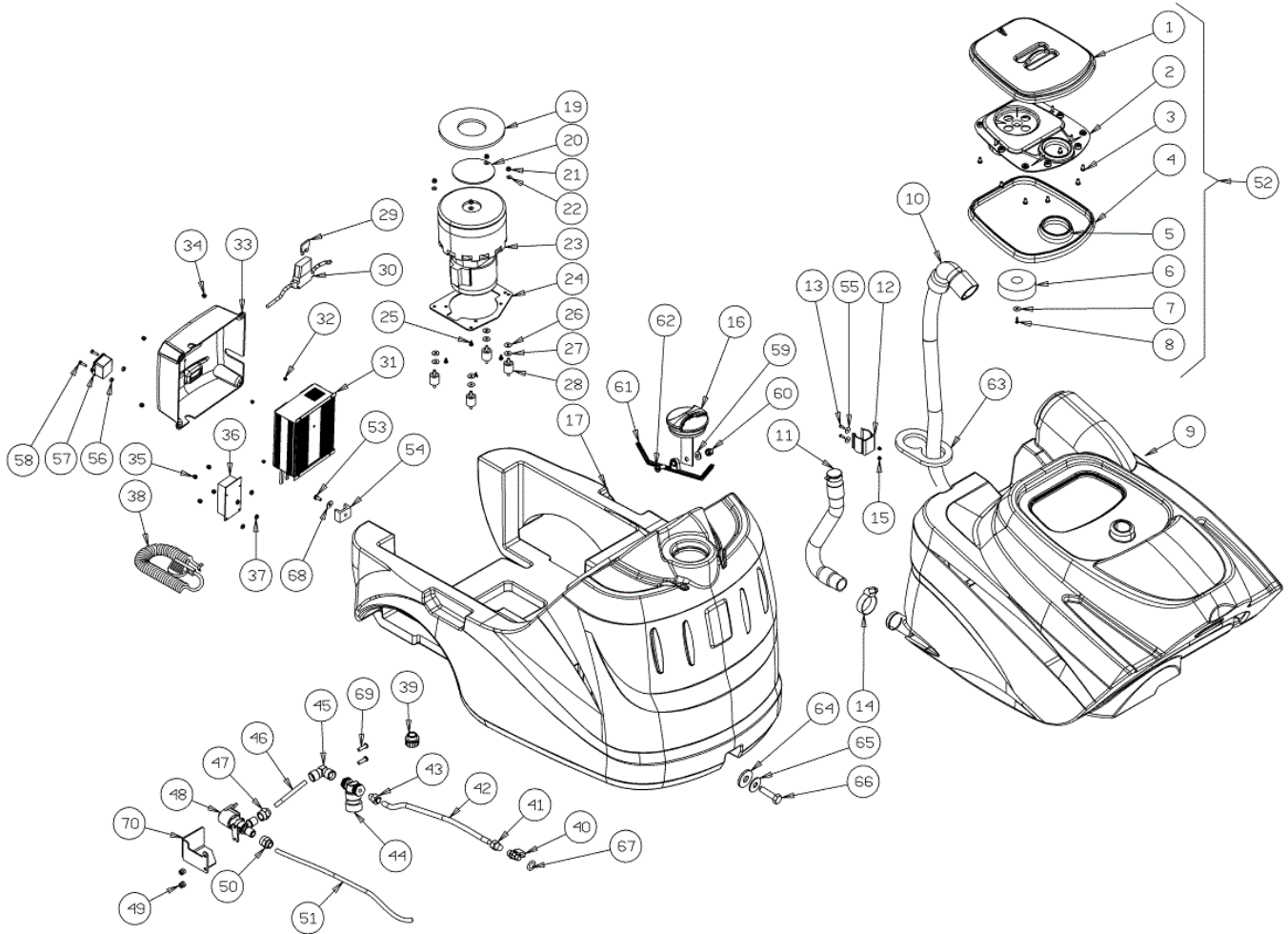


Ref: LPTB01520

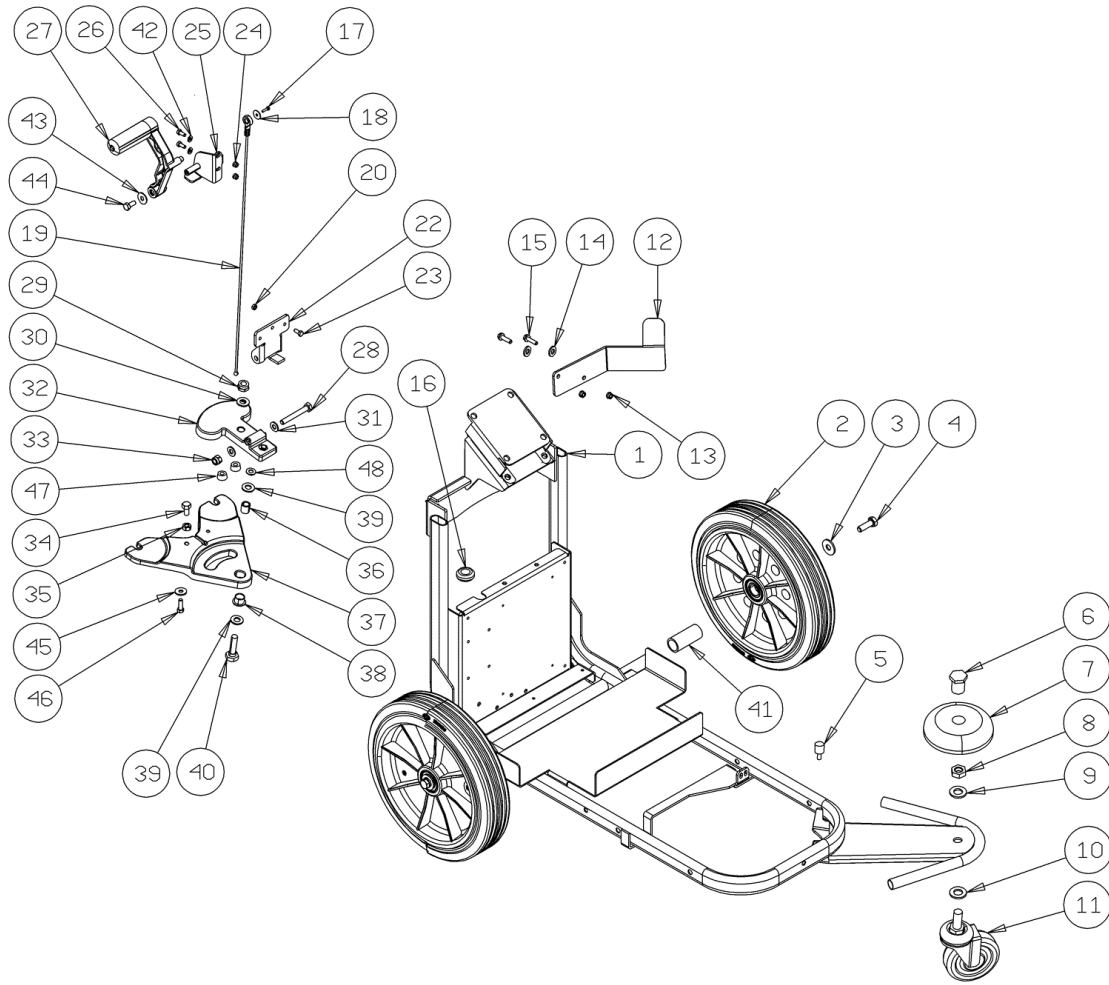
Model: CT45 B + CB + BATT. GR/VE



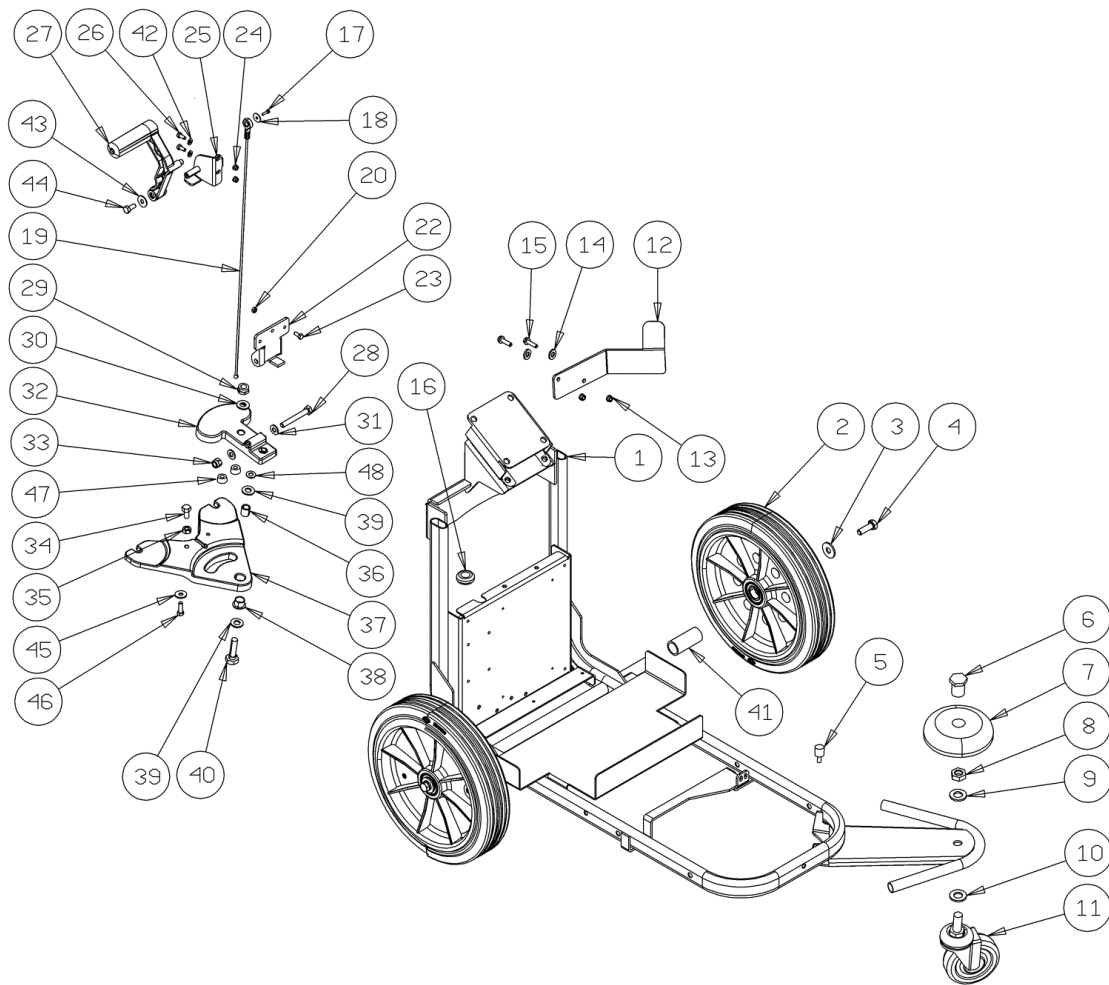
Ref.	K	Part N.	Customer Part N.	Description	Qty	Validity:		Price
						From	To	
0001		MPVR05825		COVER -	1,00			--
0002		MPVR05826		COVER -	1,00			--
0003		VTVT01694		SCREW TCB TC 5 X10 UNI 9707 TZ	8,00			--
0004		GUVR00306		GASKET -	1,00			--
0005		GUVR00307		GASKET -	1,00			--
0006		MPVR05836		FLOATER -	1,00			--
0007		VTRS00573		WASHER 30x6x3	1,00			--
0008		VTVT48694		SCREW TCB TC 5 X12 UNI 9707 TZ	1,00			--
0009		MPVR06244		TANK CT45	1,00			--
0010		TBFX00357		TUBE CT45	1,00			--
0011		TBFX00350		TUBE HOSE DRAIN CT30	1,00			--
0012		MPVR46988		CLIP LAV. SHK	1,00			--
0013		VTVT29884		SCREW TE M 4X 16 UNI 5739	2,00			--
0014		FSVR00002		CLAMP EKOFLEX 9 23-35	1,00			--
0015		VTDD04369		NUT M 4 TEF UNI 7473	2,00			--
0016		MPVR05188		CAP -	1,00			--
0017		MPVR06245		TANK CT45	1,00			--
0019		GUGO00444		GASKET -	1,00			--
0020		LAFN05830		NET FERMA FILTRO INOX	1,00			--
0021		VTDD07727		NUT M 5 INOX	4,00			--
0022		VTRS15908		WASHER D. 5 INX GRW UNI 1751	4,00			--
0023		MEVR05200		CARBON MOTORE ASP.AMET.116599-13	2,00			--
0023		MOCC00397		MOTOR VACUUM CT15-CT30	1,00			--
0024		LAFN08894		PLATE -	1,00			--
0025		VTVT48694		SCREW TCB TC 5 X12 UNI 9707 TZ	4,00			--
0026		VTRS13750		WASHER D. 5X14 INX	4,00			--
0027		VTRS13750		WASHER D. 5X14 INX	4,00			--
0028		ABGO00052		VIBRATION DAMP.-	4,00			--
0029		MEVR02048		FUSE 40A	1,00			--
0030		MECB01286		WIRING FUSE HOLDER CT30 BATTERY	1,00			--
0031		BACA00156		BATTERY-CHARGER24V 10A CT30	1,00			--
0032		VTDD00001		NUT UNI 5588 M3 ZB	4,00			--
0033		MPVR06234		COVER CT30	1,00			--
0034		VTDD04368		NUT M 4 ZIN UNI 5588	4,00			--
0035		VTDD04368		NUT M 4 ZIN UNI 5588	4,00			--
0036		MECE00578		BOARD POWER CT15-CT30	1,00			--
0037		VTRS00377		WASHER M4	4,00			--
0038		MECB00922		EXTENSION 3x0,75 SHUKO PLUG	1,00			--
0039		MPVR08003		CAP	1,00			--



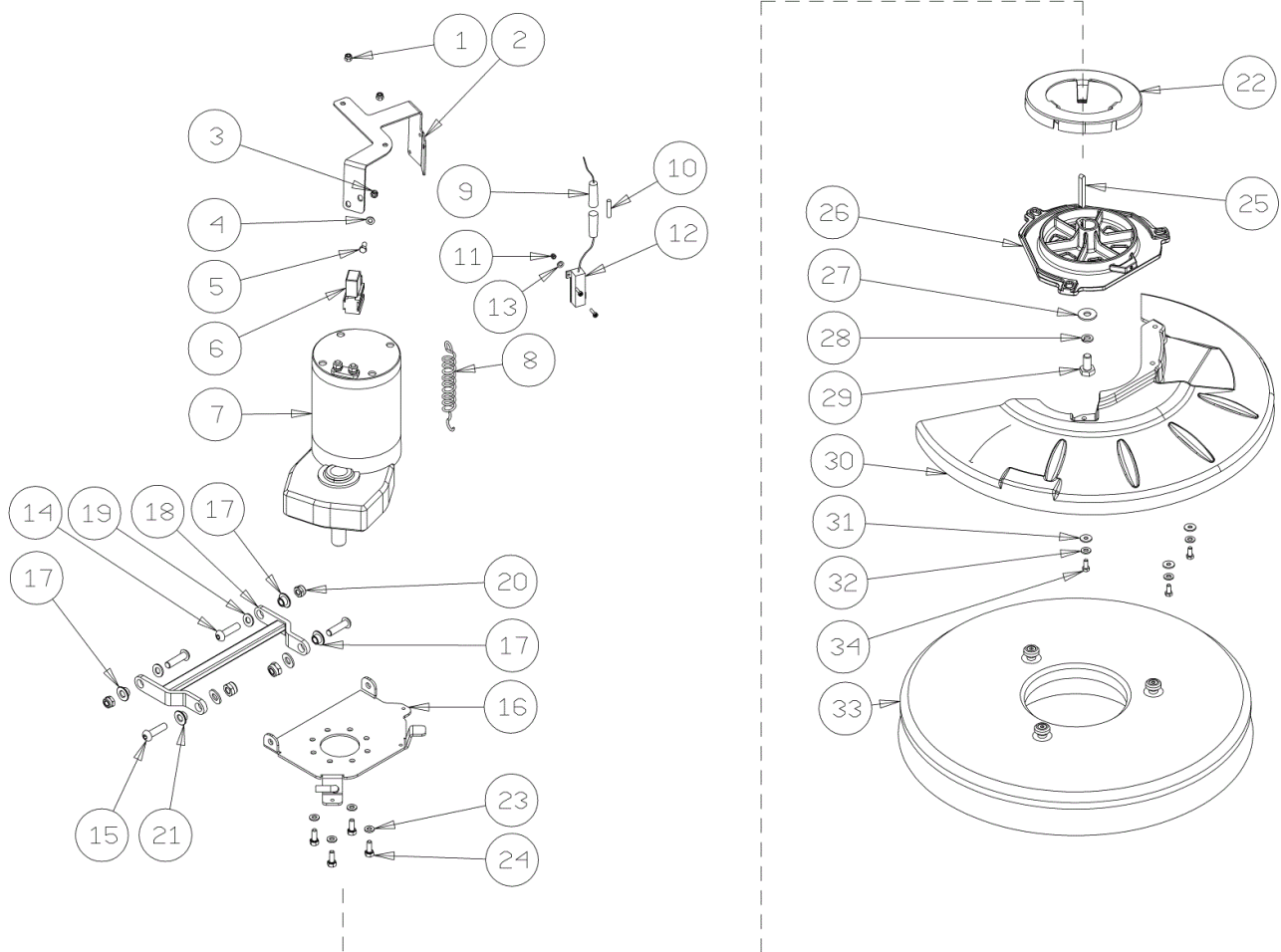
Ref.	K	Part N.	Customer Part N.	Description	Qty	Validity:		Price
						From	To	
0040		RCGR00082		VALVE -	1,00			--
0041		RCVR00784		CONNECTOR -	1,00			--
0042		TBBP00511		TUBE -	0,33			--
0043		RCVR00784		CONNECTOR -	1,00			--
0044		FTAC00044		FILTER CT15-CT30	1,00			--
0045		RCVR00773		CONNECTOR 1/4	1,00			--
0046		TBBP00481		TUBE -	0,20			--
0047		RCVR00772		CONNECTOR 1/4	1,00			--
0048		KTRI02139		SOLENOID VALVE CT45	1,00			--
0049		VTDD00055		NUT M 4 ATB A2	2,00	05/2013		--
0049		VTVT48694		SCREW TCB TC 5 X12 UNI 9707 TZ	2,00		05/2013	--
0050		RCVR00772		CONNECTOR 1/4	1,00			--
0051		TBBP00481		TUBE -	0,48			--
0052		KTRI01989		KIT RECOVERY LID	1,00			--
0053		VTVT00311		SCREW TE M4X12	1,00			--
0054		FSVR00243		CLAMP 20/30	1,00			--
0055		VTRS05904		WASHER D. 4 X16 2.083	2,00			--
0056		VTDD00001		NUT UNI 5588 M3 ZB	2,00			--
0057		MEVR02074		PLUG IEC	1,00			--
0058		VTVT00035		SCREW M 3X 8 TS TC ZC	2,00			--
0059		VTRS00515		WASHER D. 4 INX	1,00			--
0060		VTDD00055		NUT M 4 ATB A2	1,00			--
0061		MPVR08038		PLATE CT15-30	1,00			--
0062		VTVT15965		SCREW TCB-TC 4X12 UNI7687 INX	1,00			--
0063		MPVR04659		FLANGE	1,00			--
0064		VTRS16937		WASHER 6x24 INOX UNI 6593	1,00			--
0065		VTRS13750		WASHER D. 5X14 INX	1,00			--
0066		VTVT01376		SCREW TE M 5X 35 UNI 5739	1,00			--
0067		GUGO31088		O-RING D. 12 X 2.50 NBR 70SH	1,00			--
0068		VTRS00501		WASHER D. 4 0.232 UNI 6592	1,00			--
0069		VTVT15924		SCREW M 4X 16 TCB-TC UNI 7687	2,00	05/2013		--
0070		LAFN07948		PROTECTION ELETTROVALVOLA	1,00	05/2013		--



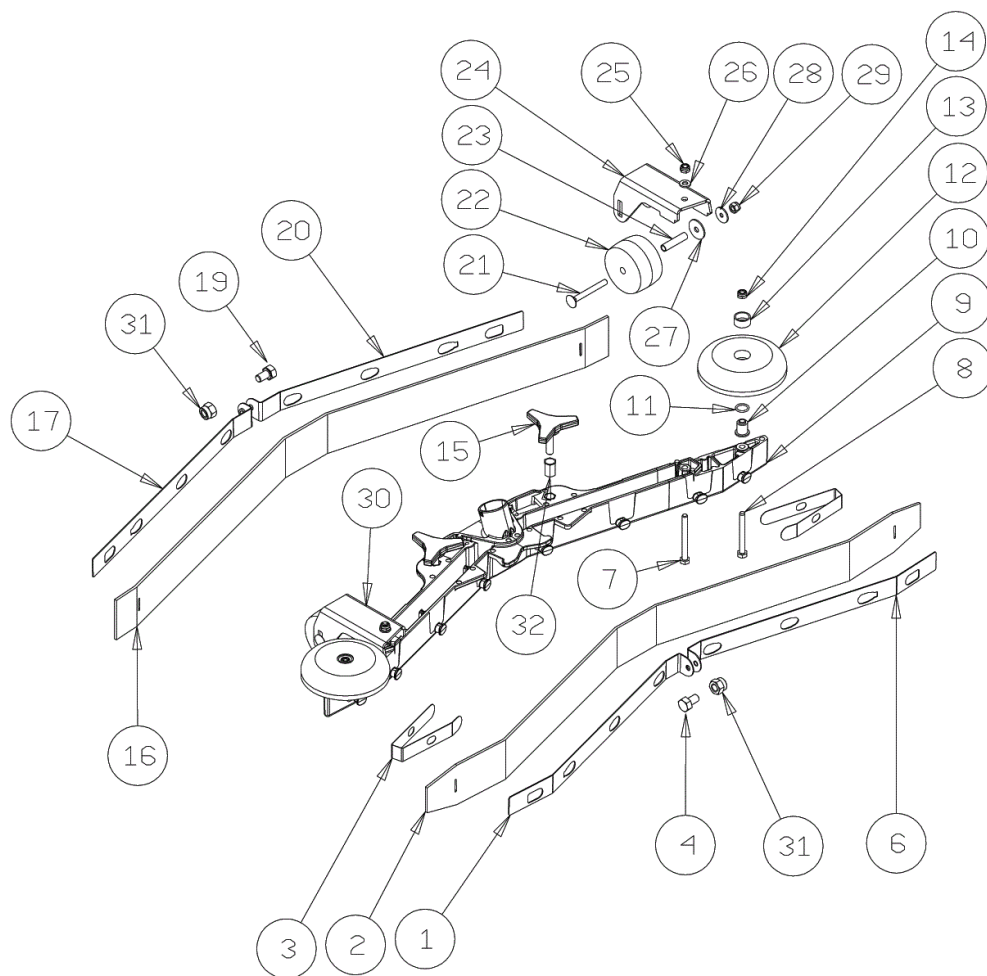
Ref. K	Part N.	Customer Part N.	Description	Qty	Validity:		Price
					From	To	
0001	LAFN07963		SHEET METAL PA.-	1,00			--
0002	RTRT00537		WHEEL -	2,00			--
0003	VTRS00512		WASHER D. 8 X24 ZC.	2,00			--
0004	VTVT01110		SCREW TE 8X16 UNI5739	2,00			--
0005	MPVR05967		CAP -	1,00			--
0006	LAFN09172		BUSHING -	1,00			--
0007	MPVR05965		WHEEL -	1,00			--
0008	VTDD00502		NUT M12	1,00			--
0009	VTRS15978		WASHER D.12X24 UNI 6592 INX	1,00			--
0010	VTRS15978		WASHER D.12X24 UNI 6592 INX	1,00			--
0011	RTRT00544		WHEEL D.80MXHC	1,00			--
0012	LAFN08091		BRACKET -	1,00			--
0013	VTDD01694		NUT M6 INOX	2,00			--
0014	VTRS00245		WASHER D.6 UNI 6592 INOX	2,00			--
0015	VTVT15143		SCREW TE 6X16 UNI5739	2,00			--
0016	MEVR00686		FAIR-LEAD DIAMETER 15.5	1,00			--
0017	VTVT00800		SCREW TC 4X12 ZN	1,00			--
0018	VTRS00251		WASHER 4-16 INOX A2	1,00			--
0019	CMCV00459		CABLE CT45	1,00			--
0020	VTDD15517		NUT M 5 INX	3,00			--
0022	LAFN07944		COUPLING SQUEEGEE	1,00			--
0023	VTVT01300		SCREW TE M5X12 INOX	3,00			--
0024	VTDD04369		NUT M 4 TEF UNI 7473	2,00			--
0025	LAFN08085		BRACKET -	1,00			--
0026	VTVT29884		SCREW TE M 4X 16 UNI 5739	2,00			--
0027	MPVR49942		LEVER SHK PP	1,00			--
0028	VTVT00757		SCREW	1,00			--
0029	VTDD10310		NUT AUTOBL.M10 INOX DIN 985	1,00			--
0030	VTRS15523		WASHER D.10 X21 INOX UNI 6592	1,00			--
0031	VTRS13947		WASHER D. 8 INX UNI 6592	1,00			--
0032	MFVR00223		SUPPORT SQUEEGEE CT45	1,00			--
0033	VTDD01695		NUT M 8 INX	1,00			--
0034	VTVT15141		SCREW TE M 6X 25 UNI 5739 INX	1,00			--
0035	VTDD15520		NUT M 6 A2 UNI 5588 INX	1,00			--
0036	LAFN08067		BUSHING CT45	1,00			--
0037	MFVR00224		ARTICULATION SQUEEGEE SUPPORT CT45	1,00			--
0038	CUVR00193		BUSHING -	1,00			--
0039	VTRS15523		WASHER D.10 X21 INOX UNI 6592	2,00			--
0040	VTVT01169		SCREW TE M10X45	1,00			--



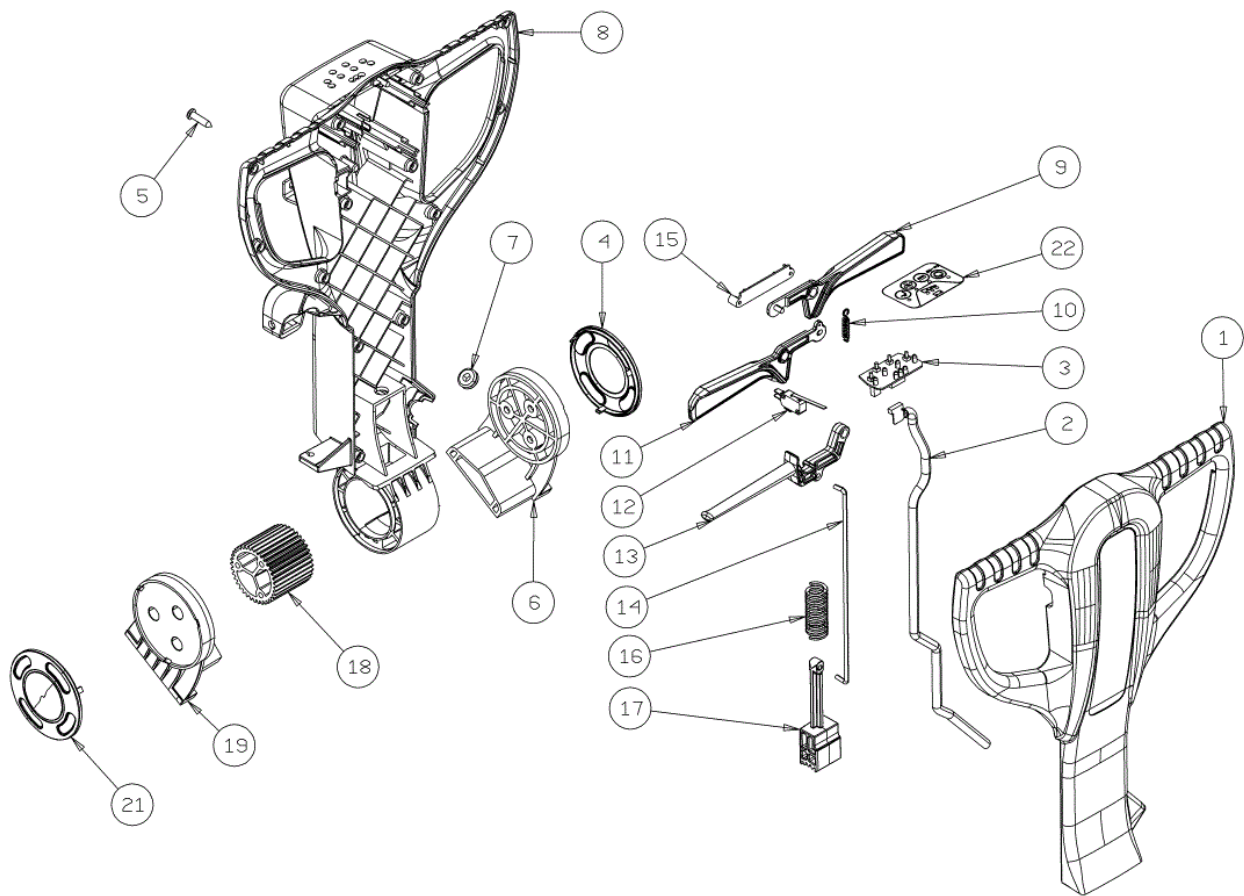
Ref. K	Part N.	Customer Part N.	Description	Qty	Validity:		Price
					From	To	
0041	LAFN08093		BUSHING -	2,00			--
0042	VTRS05904		WASHER D. 4 X16 2.083	2,00			--
0043	VTRS15958		WASHER D. 5 X15 UNI 6593	1,00			--
0044	VTVT62916		SCREW TE M5X12 ZN UNI 5739-8.8	1,00			--
0045	VTRS16937		WASHER 6x24 INOX UNI 6593	1,00			--
0046	VTVT37012		SCREW M 4X 10 TCB-TC INX	1,00			--
0047	GUGO00234		GASKET 3/4"	1,00		07/2013	--
0047	GUGO00321		CONVEYOR -	2,00	07/2013		--
0048	MLML34767		SPRING D.10.2 X20	1,00			--



Ref.	K	Part N.	Customer Part N.	Description	Qty	Validity:		Price
						From	To	
0001		VTDD00128		SELF-LOCJ.NUT M5	2,00			--
0002		LAFN08083		BRACKET -	1,00			--
0003		VTDD01693		NUT M 5 INX	1,00			--
0004		VTRS13750		WASHER D. 5X14 INX	1,00			--
0005		VTVT34115		SCREW TE M 5X 10 UNI 5739	1,00			--
0006		MECI00005		RELAY 24V 10/20A	1,00			--
0007		MOCC00426		MOTOR 24V 20A 400W IP44	1,00			--
0008		MLML00065		SPRING L0=80 De=12 Df=1.7	1,00			--
0009		MEVR00080		FUSE-HOLDER PV610 10A	1,00			--
0010		MEVR01747		FUSE 6X32 2,8A T	1,00			--
0011		VTDD21115		NUT M 3 INOX	2,00			--
0012		MEVR02066		RESISTANCE 3,3ohm 50W	1,00			--
0013		VTRS27296		WASHER GROWER 3 ZNT	2,00			--
0014		VTVT01378		CARRYNG BAG	2,00			--
0015		VTVT01195		SCREW TBEI M 8X 25 ISO 7380 IX	2,00			--
0016		LAFN08104		SUPPORT -	1,00			--
0017		LAFN06391		BUSHING PARALLELOGRAMMA	3,00			--
0018		LAFN07910		BRACKET -	1,00			--
0019		VTRS13947		WASHER D. 8 INX UNI 6592	4,00			--
0020		VTDD01695		NUT M 8 INX	4,00			--
0021		LAFN51068		BUSHING LEVA POSTER.	1,00			--
0022		MPVR06045		CONVEYOR -	1,00			--
0023		VTRS15144		WASHER D. 6 INX GRW UNI 1751	4,00			--
0024		VTVT15906		SCREW TE 6X 12 A2 UNI 5739	4,00			--
0025		VTVR16617		KEY 6X 6X30 UNI 6604	1,00			--
0026		MFVR00212		DRIVE DISK	1,00			--
0027		VTRS13946		WASHER D. 8 X24 INX UNI 6593	1,00			--
0028		VTRS15146		WASHER D. 8 INX GRW UNI 1751	1,00			--
0029		VTVT13938		SCREW TE 8X20 UNI5739 INX	1,00			--
0030		MPVR06243		COVER CT45	1,00			--
0031		VTRS13750		WASHER D. 5X14 INX	3,00			--
0032		VTRS15908		WASHER D. 5 INX GRW UNI 1751	3,00			--
0033		SPPV01332		BRUSH D.500 NYLON	1,00			--
0034		VTVT01300		SCREW TE M5X12 INOX	3,00			--

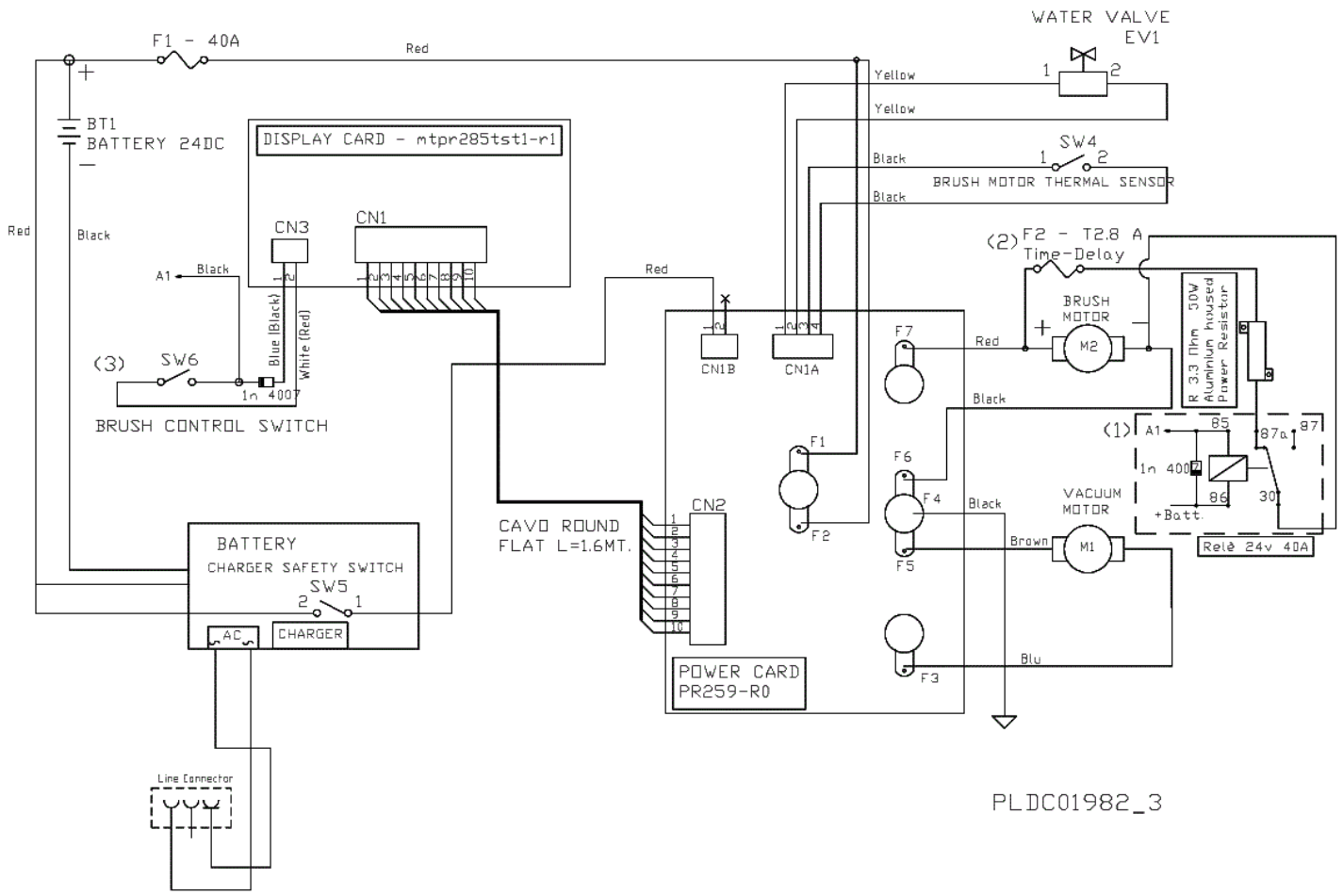


Ref. K	Part N.	Customer Part N.	Description	Qty	Validity:		Price
					From	To	
0001	LAFN08940		BRACKET -	1,00			--
0002	MPVR06285		BLADE XS 3MM	1,00			--
0003	MPVR05897		CLOSURE S	2,00			--
0004	VTVT01161		SCREW M6x8	1,00			--
0006	LAFN08945		BRACKET -	1,00			--
0007	VTVT17342		SCREW TE M 6X 60 UNI 5739 INX	2,00			--
0008	VTVT00655		SCREW TE M. 6-55	2,00			--
0009	MFVR00143		BODY SQUEEGEE PRESSOFUSO	1,00			--
0010	LAFN04100		SPACER PER RUOTINO PARACOLPI	2,00			--
0011	GUGO00164		GASKET	2,00			--
0012	MPVR05290		ROLLER PARACOLPI	2,00			--
0013	MPVR49229		BUSHING SHK	2,00			--
0014	VTDD01694		NUT M6 INOX	2,00			--
0015	MPVR06003		KNOB AISI 304	2,00		03/2013	--
0015	MPVR06004		KNOB AISI 304	2,00	03/2013		--
0016	MPVR06286		BLADE XS 3MM	1,00			--
0017	LAFN08946		BRACKET -	1,00			--
0019	VTVT01161		SCREW M6x8	1,00			--
0020	LAFN08947		BRACKET -	1,00			--
0021	VTVT01206		SCREW M6X55	2,00			--
0022	RTRT00523		WHEEL -	2,00			--
0023	LAFN07589		SPACER -	2,00			--
0024	LAFN09217		SUPPORT SX	1,00			--
0025	VTDD01694		NUT M6 INOX	2,00			--
0026	VTRS00245		WASHER D.6 UNI 6592 INOX	2,00			--
0027	VTRS16937		WASHER 6x24 INOX UNI 6593	2,00			--
0028	VTRS13945		WASHER D. 6X18 INX UNI 6593	2,00			--
0029	VTDD15518		NUT M 6 INX	2,00			--
0030	LAFN09216		SUPPORT DX	1,00			--
0031	VTDD01694		NUT M6 INOX	2,00			--
0032	VTVR00567		INSERT -	2,00			--



Ref. K	Part N.	Customer Part N.	Description	Qty	Validity:		Price
					From	To	
0001	MPVR06046		CRANKCASE -	1,00			--
0002	MECB01326		WIRING FLAT CABLE CT45	1,00			--
0003	MECE00579		BOARD LOGIC CT45 24V	1,00			--
0004	MPVR06055		COVER -	1,00			--
0005	VTVT01371		SCREW 4,8X19	14,00			--
0006	MPVR06054		SHELL SX	1,00			--
0007	MPVR06057		FAIR-LEAD -	1,00			--
0008	MPVR06047		CRANKCASE -	1,00			--
0009	MPVR06048		LEVER SX	1,00			--
0010	MLML00336		SPRING -	1,00			--
0011	MPVR06049		LEVER DX	1,00			--
0012	MECI36393		MICROSWITCH TRZ. DRW	1,00			--
0013	MPVR06050		LEVER ADJUSTMENT	1,00			--
0014	LAFN09221		LEVER RINVIO	1,00			--
0015	MPVR06298		COVER CT55	1,00			--
0016	MLML00337		SPRING -	1,00			--
0017	MPVR06052		HANDLE SUPPORT	1,00			--
0018	MPVR06056		GEAR -	1,00			--
0019	MPVR06053		SHELL DX	1,00			--
0021	MPVR06055		COVER -	1,00			--
0022	ETET01780		LABEL -	1,00			--





Ref.	K	Part N.	Customer Part N.	Description	Qty	Validity:		Price
						From	To	
EV1		MEEV00042		SOLENOID VALVE	1,00			--
F1		MEVR02048		FUSE 40A	1,00			--
M1		MOCC00397		MOTOR VACUUM CT15-CT30	1,00			--
M2		MOCC00406		MOTOR BRUSH CT30B	1,00			--