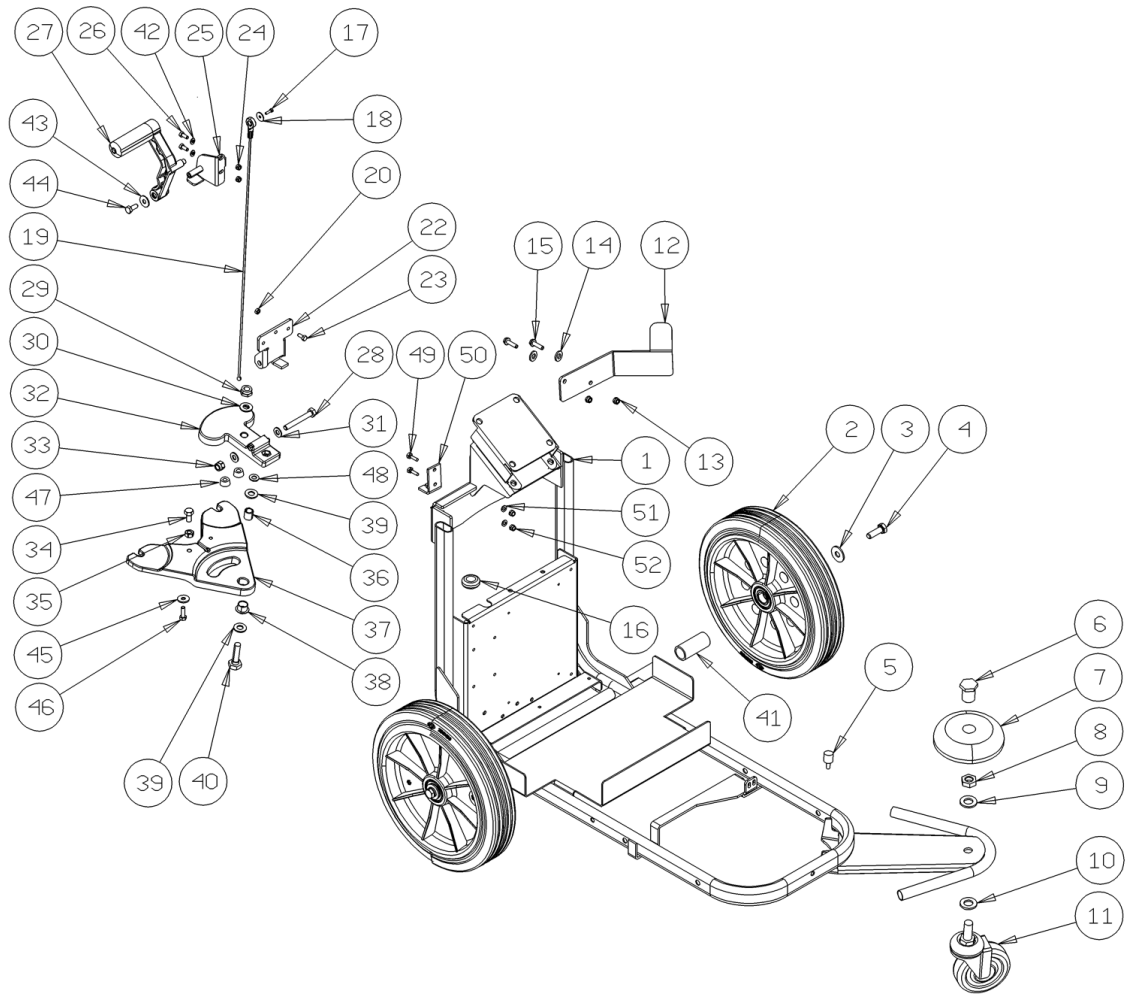


Spare Parts List

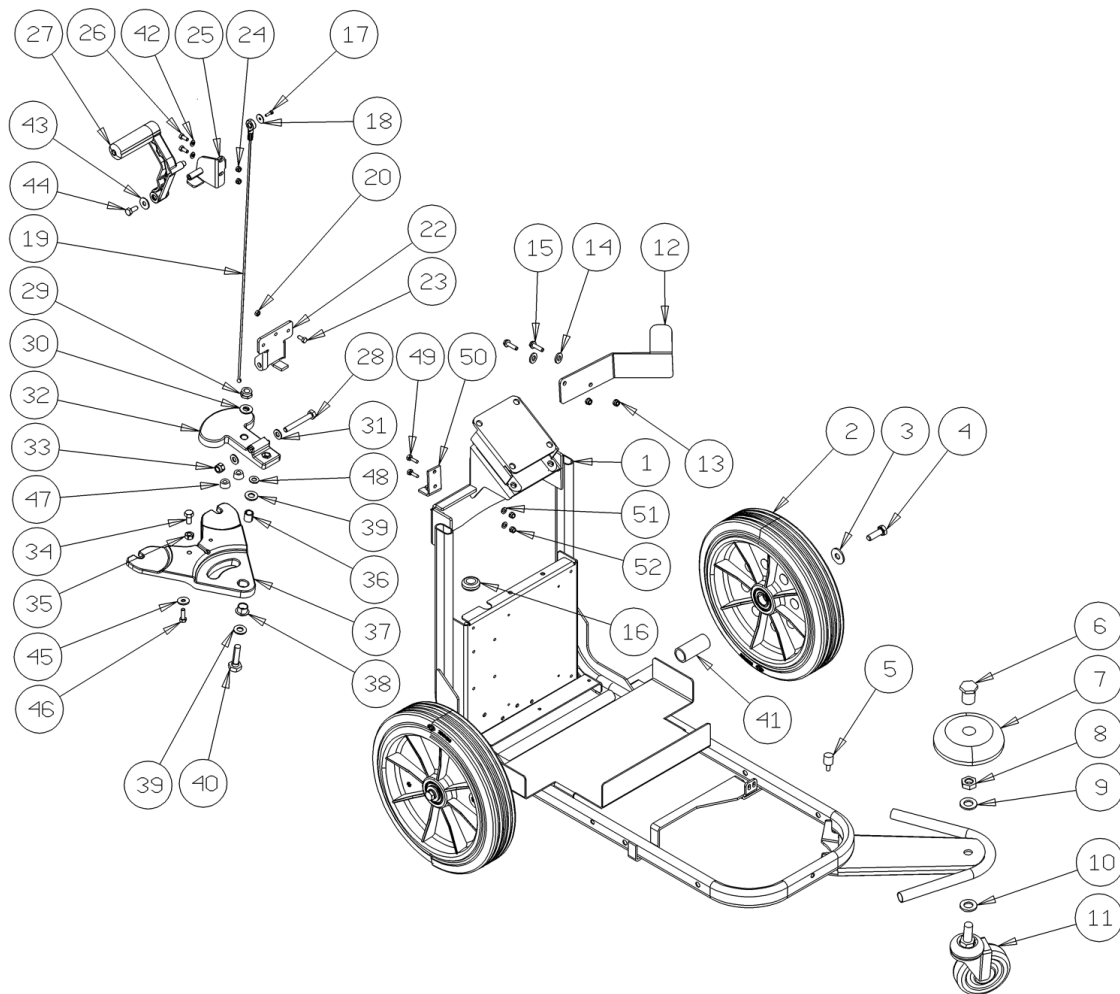
MEDIACOM

Ref: LPTE01103

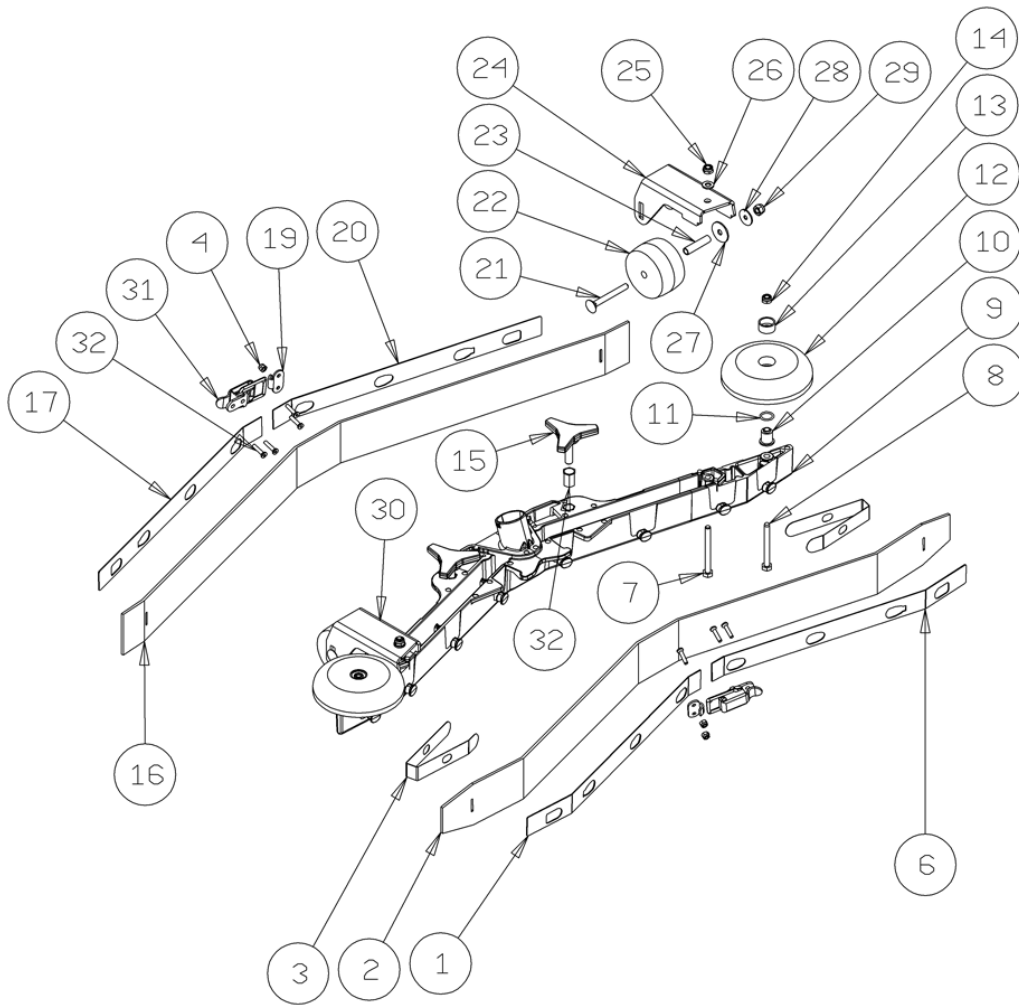
Model: CT45 C50 230V GR/VE



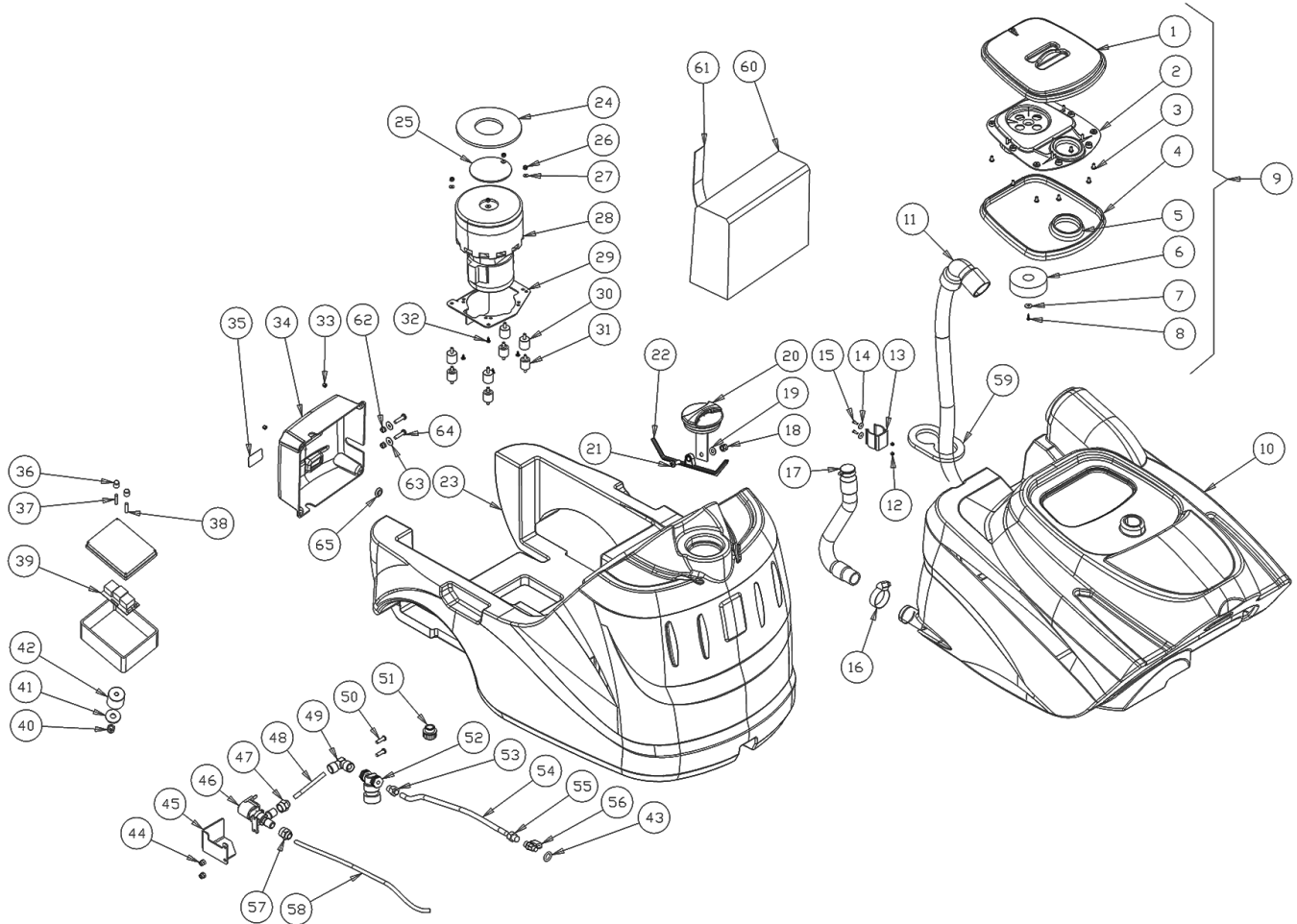
Ref.	K	Part N.	Customer Part N.	Description	Qty	Validity:		Price
						From	To	
0001		LAFN07963		SHEET METAL PA.-	1,00			--
0002		RTRT00537		WHEEL GRAY d.250 CT15-30-45	2,00			--
0003		VTRS00512		WASHER D. 8 X24 ZC.	2,00			--
0004		VTVT01110		SCREW TE 8X16 UNI5739	2,00			--
0005		MPVR05967		CAP -	1,00			--
0006		LAFN09172		BUSHING -	1,00			--
0007		MPVR05965		WHEEL -	1,00			--
0008		VTDD00502		NUT M12	1,00			--
0009		VTRS09142		WASHER D.12 X 36	1,00	02/2015		--
0009		VTRS15978		WASHER D.12X24 UNI 6592 INX	1,00		02/2015	--
0010		VTRS09142		WASHER D.12 X 36	1,00	02/2015		--
0010		VTRS15978		WASHER D.12X24 UNI 6592 INX	1,00		02/2015	--
0011		RTRT00544		WHEEL D.80MXHC	1,00		01/2017	--
0011		RTRT00632		WHEEL -	1,00	01/2017		--
0012		LAFN08091		BRACKET -	1,00			--
0013		VTDD01694		NUT M6 INOX	2,00			--
0014		VTRS00245		WASHER D.6 UNI 6592 INOX	2,00			--
0015		VTVT15143		SCREW TE 6X16 UNI5739	2,00			--
0016		MEVR00686		FAIR-LEAD DIAMETER 15.5	1,00			--
0017		VTVT00800		SCREW TC 4X12 ZN	1,00		09/2014	--
0018		VTRS00251		WASHER 4-16 INOX A2	1,00		09/2014	--
0019		CMCV00364		CABLE -	1,00	09/2014		--
0019		CMCV00459		CABLE CT45	1,00		09/2014	--
0020		VTDD15517		NUT M 5 INX	3,00			--
0022		LAFN07944		COUPLING SQUEEGEE	1,00		09/2013	--
0022		LAFN08106		COUPLING SQUEEGEE	1,00	09/2013		--
0023		VTVT01300		SCREW TE M5X12 INOX	3,00			--
0024		VTDD04369		NUT M 4 TEF UNI 7473	2,00		09/2014	--
0025		LAFN08085		BRACKET -	1,00		09/2014	--
0026		VTVT29884		SCREW TE M 4X 16 UNI 5739	2,00		09/2014	--
0027		MPVR49942		LEVER SQUEEGEE LIFTING PP	1,00		09/2014	--
0028		VTVT00757		SCREW	1,00			--
0029		VTDD10310		NUT AUTOBL.M10 INOX DIN 985	1,00			--
0030		VTRS15523		WASHER D.10 X21 INOX UNI 6592	1,00			--
0031		VTRS13947		WASHER D. 8 INX UNI 6592	1,00			--
0032		MFVR00223		SUPPORT SQUEEGEE CT45	1,00			--
0033		VTDD01695		NUT M 8 INX	1,00			--
0034		VTVT15141		SCREW TE M 6X 25 UNI 5739 INX	1,00			--
0035		VTDD15520		NUT M 6 A2 UNI 5588 INX	1,00			--



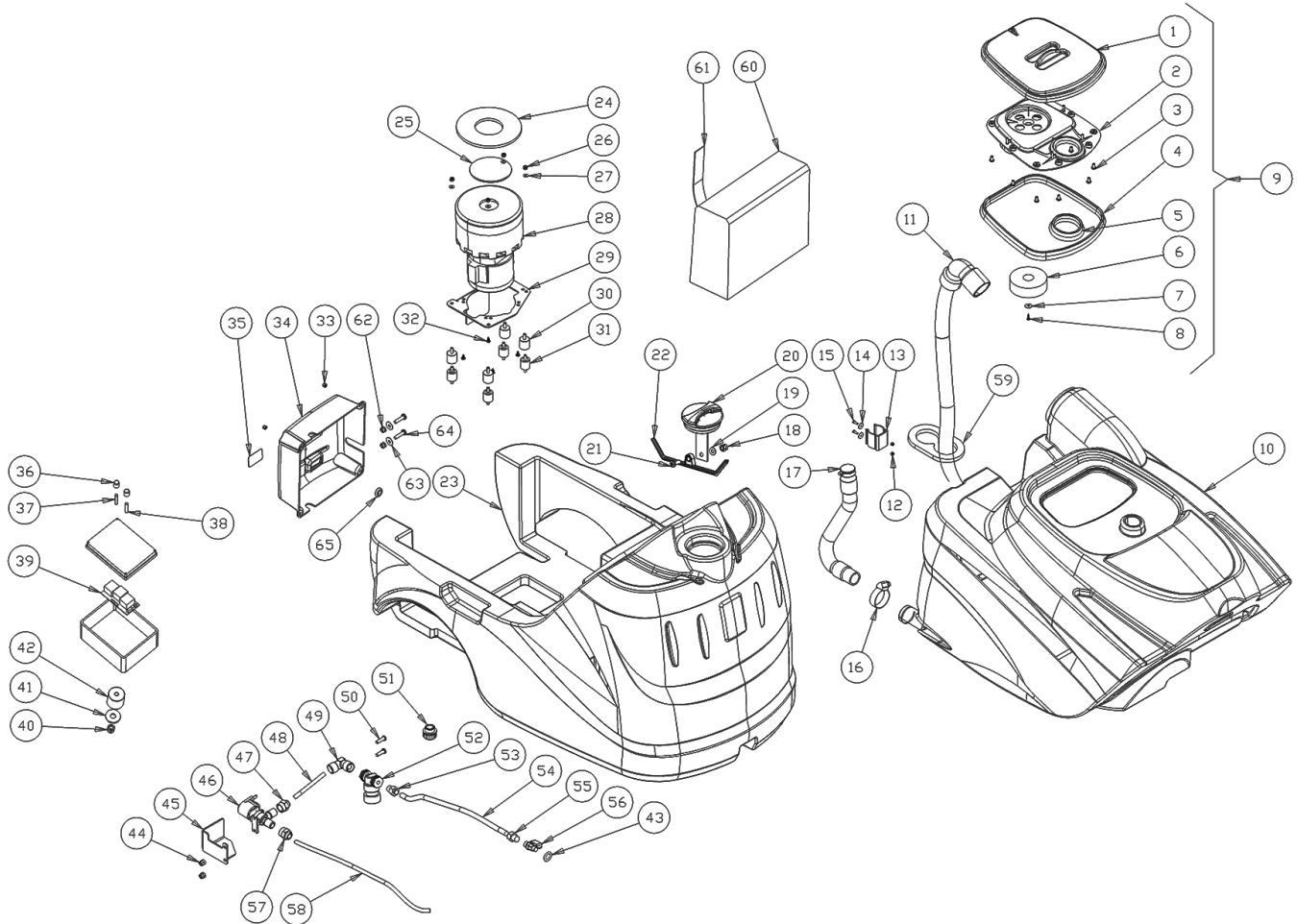
Ref. K	Part N.	Customer Part N.	Description	Qty	Validity:		Price
					From	To	
0036	LAFN08067		BUSHING CT45	1,00			--
0037	MFVR00224		ARTICULATION SQUEEGEE SUPPORT CT45	1,00			--
0038	CUVR00193		BUSHING -	1,00			--
0039	VTRS15523		WASHER D.10 X21 INOX UNI 6592	2,00			--
0040	VTVT01169		SCREW TE M10X45	1,00			--
0041	LAFN08093		BUSHING -	2,00			--
0042	VTRS05904		WASHER D. 4 X16 2.083	2,00		09/2014	--
0043	VTRS15958		WASHER D. 5 X15 UNI 6593	1,00		09/2014	--
0044	VTVT62916		SCREW TE M5X12 ZN UNI 5739-8.8	1,00		09/2014	--
0045	VTRS16937		WASHER 6x24 INOX UNI 6593	1,00			--
0046	VTVT00881		SCREW TC+ M4x6 TRILOBATA INOX	1,00	09/2014		--
0046	VTVT21887		SCREW TCB-TC 4X10 8112	1,00		09/2014	--
0047	GUGO00234		GASKET 3/4"	1,00		07/2013	--
0047	GUGO00321		CONVEYOR -	2,00	07/2013		--
0048	MLML34767		SPRING D.10.2 X20	1,00			--
0049	VTVT07725		SCREW TE 5X16 UNI5739 INX	2,00	09/2014		--
0050	LAFN09365		BRACKET -	1,00	09/2014		--
0051	VTRS00516		WASHER D. 5 INX	2,00	09/2014		--
0052	VTDD01693		NUT M 5 INX	2,00	09/2014		--



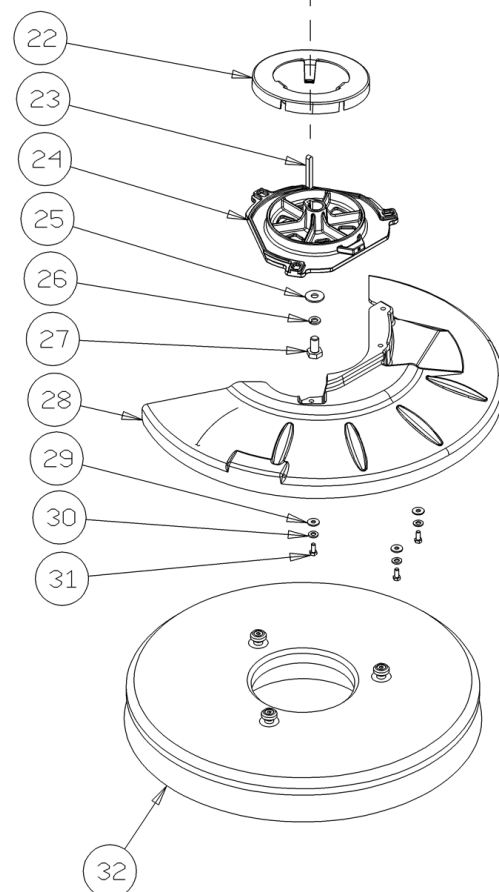
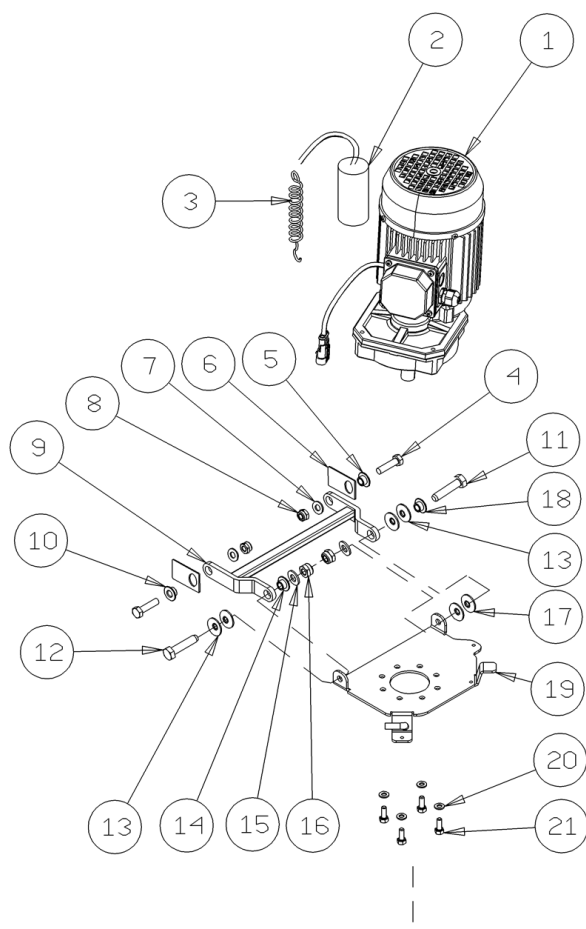
Ref.	K	Part N.	Customer Part N.	Description	Qty	Validity:		Price
						From	To	
0001		LAFN08940		BRACKET -	1,00		09/2013	--
0001		LAFN09275		SHEET METAL PA.-	1,00	09/2013		--
0002		MPVR06285		BLADE XS 3MM	1,00		07/2013	--
0002		MPVR06287		BLADE XS 3MM LATEX	1,00	07/2013		--
0003		MPVR05897		CLOSURE S	2,00			--
0004		VTDD00210		NUT M 3 AUTOBL.DIN 985 IX.A2	8,00	09/2013		--
0006		LAFN08945		BRACKET -	1,00		09/2013	--
0006		LAFN09276		SHEET METAL PA.-	1,00	09/2013		--
0007		VTVT17342		SCREW TE M 6X 60 UNI 5739 INX	2,00			--
0008		VTVT00655		SCREW TE M. 6-55	2,00			--
0009		MFVR00143		BODY SQUEEGEE PRESSOFUSO	1,00			--
0010		LAFN04100		SPACER PER RUOTINO PARACOLPI	2,00			--
0011		GUGO00164		GASKET	2,00			--
0012		MPVR05290		ROLLER PARACOLPI	2,00			--
0013		MPVR49229		BUSHING SHK	2,00			--
0014		VTDD01694		NUT M6 INOX	2,00			--
0015		MPVR06003		KNOB AISI 304	2,00		03/2013	--
0015		MPVR06004		KNOB AISI 304	2,00	03/2013		--
0016		MPVR06286		BLADE XS 3MM	1,00		07/2013	--
0016		MPVR06288		BLADE XS 3MM LATEX	1,00	07/2013		--
0017		LAFN08946		BRACKET -	1,00		09/2013	--
0017		LAFN09277		SHEET METAL PA.-	1,00	09/2013		--
0019		LAFN09301		SOCKET -	2,00	09/2013		--
0020		LAFN08947		BRACKET -	1,00		09/2013	--
0020		LAFN09278		SHEET METAL PA.-	1,00	09/2013		--
0021		VTVT01206		SCREW M6X55	2,00			--
0022		RTRT00523		WHEEL -	2,00			--
0023		LAFN07589		SPACER -	2,00			--
0024		LAFN09217		SUPPORT SX	1,00			--
0025		VTDD01694		NUT M6 INOX	2,00			--
0026		VTRS00245		WASHER D.6 UNI 6592 INOX	2,00			--
0027		VTRS16937		WASHER 6x24 INOX UNI 6593	2,00			--
0028		VTRS13945		WASHER D. 6X18 INX UNI 6593	2,00			--
0029		VTDD15518		NUT M 6 INX	2,00			--
0030		LAFN09216		SUPPORT DX	1,00			--
0031		LAFN09302		CLOSURE -	2,00	09/2013		--
0032		VTVR00567		INSERT -	2,00			--
0032		VTVT01070		SCREW TSTC M3X8	8,00	09/2013		--



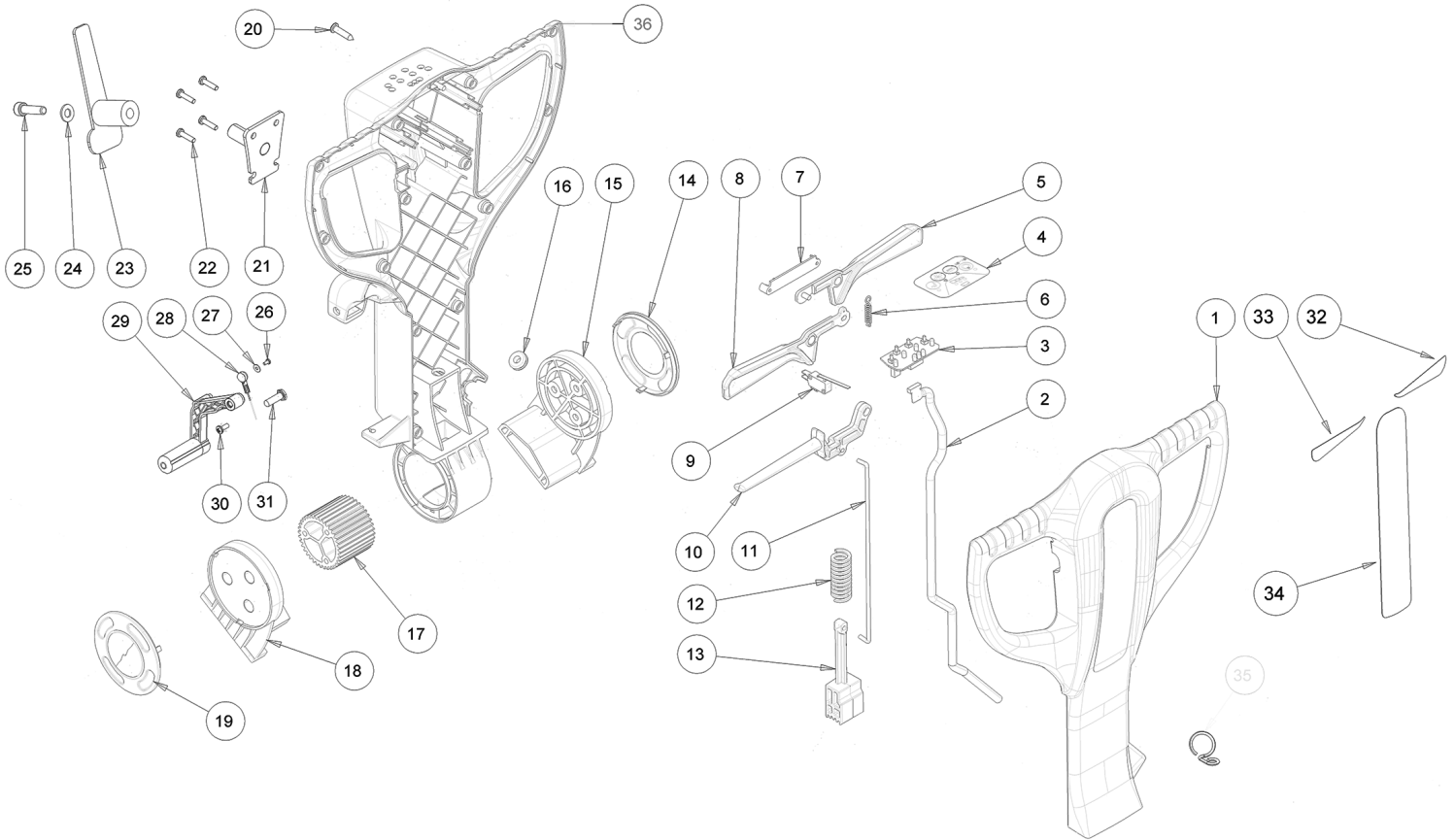
Ref. K	Part N.	Customer Part N.	Description	Qty	Validity:		Price
					From	To	
0001	MPVR05825		COVER -	1,00			--
0002	MPVR05826		COVER -	1,00			--
0003	VTVT01694		SCREW TCB TC 5 X10 UNI 9707 TZ	8,00			--
0004	GUVR00306		GASKET -	1,00			--
0005	GUVR00307		GASKET -	1,00			--
0006	MPVR05836		FLOATER -	1,00			--
0007	VTRS00573		WASHER 30x6x3	1,00			--
0008	VTVT48694		SCREW TCB TC 5 X12 UNI 9707 TZ	1,00			--
0009	KTRI01989		KIT RECOVERY LID	1,00			--
0010	MPVR06244		TANK CT45	1,00			--
0011	KTRI04698		KIT REPLACEMENT TBFX00357	1,00			--
0012	VTDD04369		NUT M 4 TEF UNI 7473	2,00			--
0013	MPVR46988		CLIP LAV. SHK	1,00			--
0014	VTRS05904		WASHER D. 4 X16 2.083	2,00			--
0015	VTVT29884		SCREW TE M 4X 16 UNI 5739	2,00			--
0016	FSVR00002		CLAMP EKOFLEX 9 23-35	1,00		12/2014	--
0016	FSVR00095		CLAMP 30-45	1,00	12/2014		--
0017	TBFX00350		TUBE HOSE DRAIN CT30	1,00			--
0018	VTDD00055		NUT M 4 ATB A2	1,00			--
0019	VTRS00515		WASHER D. 4 INX	1,00			--
0020	MPVR05188		CAP SOLUTION TANK	1,00			--
0021	VTVT15965		SCREW TCB-TC 4X12 UNI7687 INX	1,00			--
0022	MPVR08038		PLATE CT15-30	1,00			--
0023	MPVR06245		TANK CT45	1,00			--
0024	GUGO00444		GASKET -	1,00		10/2016	--
0024	GUGO00498		GASKET	1,00	10/2016		--
0025	LAFN05830		NET FERMA FILTRO INOX	1,00			--
0026	VTDD07727		NUT M 5 INOX	4,00			--
0027	VTRS15908		WASHER D. 5 INX GRW UNI 1751	4,00			--
0028	MOMO00243		MOTOR ASPIRATORE	1,00			--
0029	LAFN08062		AXLE	1,00			--
0030	LAFN08967		SPACER CT15-30	4,00			--
0031	ABGO00052		VIBRATION DAMP.-	4,00			--
0032	VTVT48694		SCREW TCB TC 5 X12 UNI 9707 TZ	4,00			--
0033	VTDD04368		NUT M 4 ZIN UNI 5588	4,00			--
0034	MPVR05915		COVERING -	1,00			--
0035	ETET01692		LABEL -	1,00			--
0036	MEVR02091		FUSE-HOLDER -	2,00			--
0037	MEVR02047		FUSE 8A 6,3X32 GLASS	1,00			--



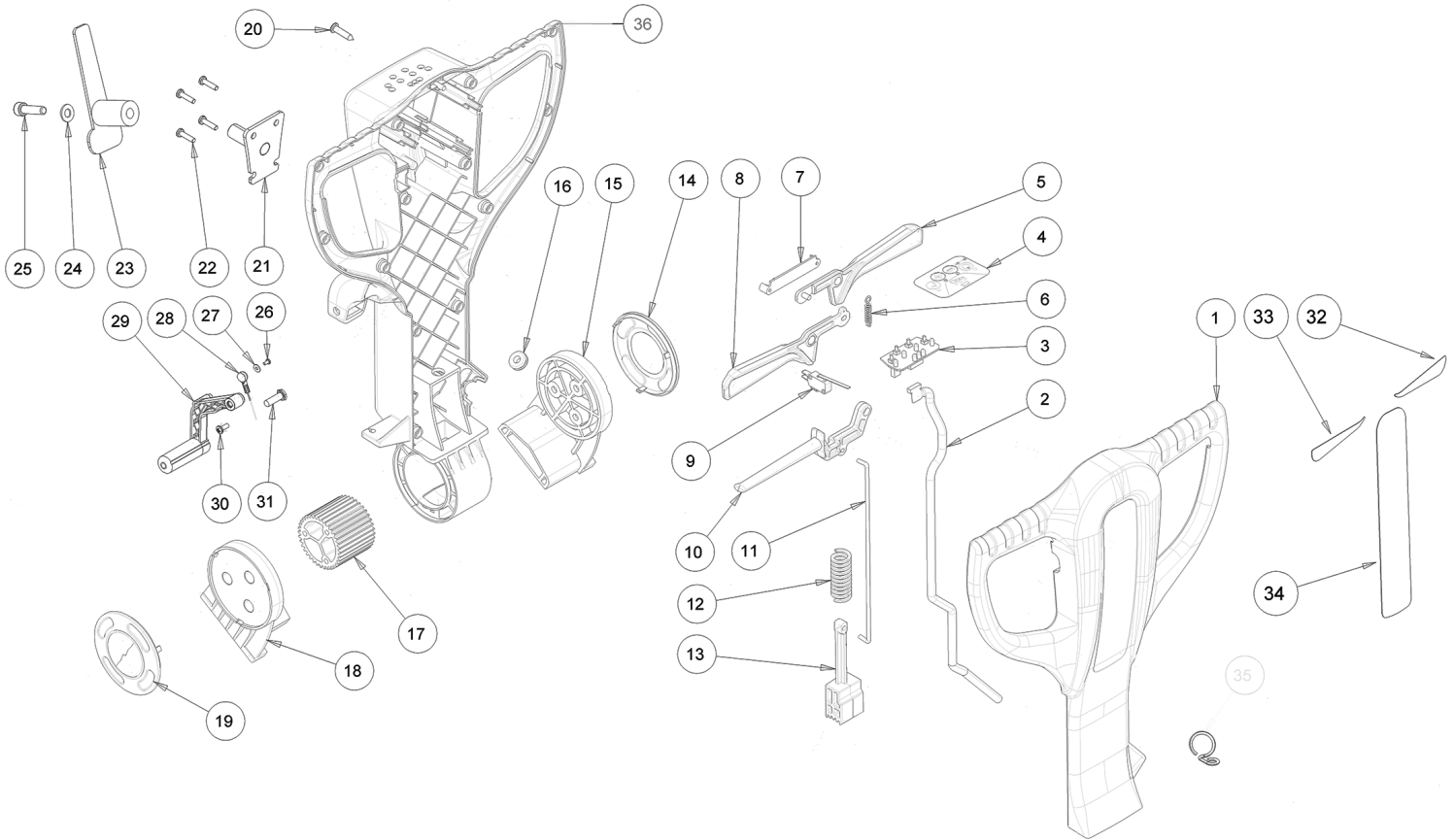
Ref.	K	Part N.	Customer Part N.	Description	Qty	Validity:		Price
						From	To	
0038		MEVR02092		FUSE 4A RITARDATO	1,00			--
0039		MECE00536		BOARD RELAY CT15-30 230V	1,00			--
0040		VTDD15517		NUT M 5 INX	2,00			--
0041		VTRS13750		WASHER D. 5X14 INX	2,00			--
0042		LAFN08967		SPACER CT15-30	2,00			--
0043		GUGO31088		O-RING D. 12 X 2.50 NBR 70SH	1,00			--
0044		VTDD00055		NUT M 4 ATB A2	2,00			--
0045		LAFN07948		PROTECTION ELETTROVALVOLA	1,00			--
0046		KTRI02192		SOLENOID VALVE CT45	1,00			--
0047		RCVR00772		CONNECTOR 1/4	1,00			--
0048		TBBP00481		TUBE -	0,20			--
0049		RCVR00773		CONNECTOR 1/4	1,00			--
0050		VTVT15965		SCREW TCB-TC 4X12 UNI7687 INX	2,00			--
0051		MPVR08003		CAP	1,00		11/2016	--
0051		MPVR10774		CAP 1/2"	1,00	11/2016		--
0052		FTAC00044		FILTER CT15-CT30	1,00			--
0053		RCVR00784		CONNECTOR -	1,00		04/2015	--
0053		RCVR00789		CONNECTOR -	1,00	04/2015	05/2015	--
0053		RCVR00807		CONNECTOR 10 1/4	1,00	05/2015		--
0054		TBBP00511		TUBE -	0,33			--
0055		RCVR00784		CONNECTOR -	1,00			--
0056		RCGR00082		VALVE -	1,00			--
0057		RCVR00772		CONNECTOR 1/4	1,00			--
0058		TBBP00481		TUBE -	0,48			--
0059		MPVR04659		FLANGE	1,00			--
0060		MFVR00228		WEIGHT CT45	1,00			--
0061		MPVR06967		BELT -	2,00			--
0062		VTDD15925		NUT M 4 INX	2,00	12/2014		--
0063		VTRS00515		WASHER D. 4 INX	2,00	12/2014		--
0064		VTVT15965		SCREW TCB-TC 4X12 UNI7687 INX	2,00	12/2014		--
0065		MEVR02113		FAIR-LEAD	1,00	02/2016		--



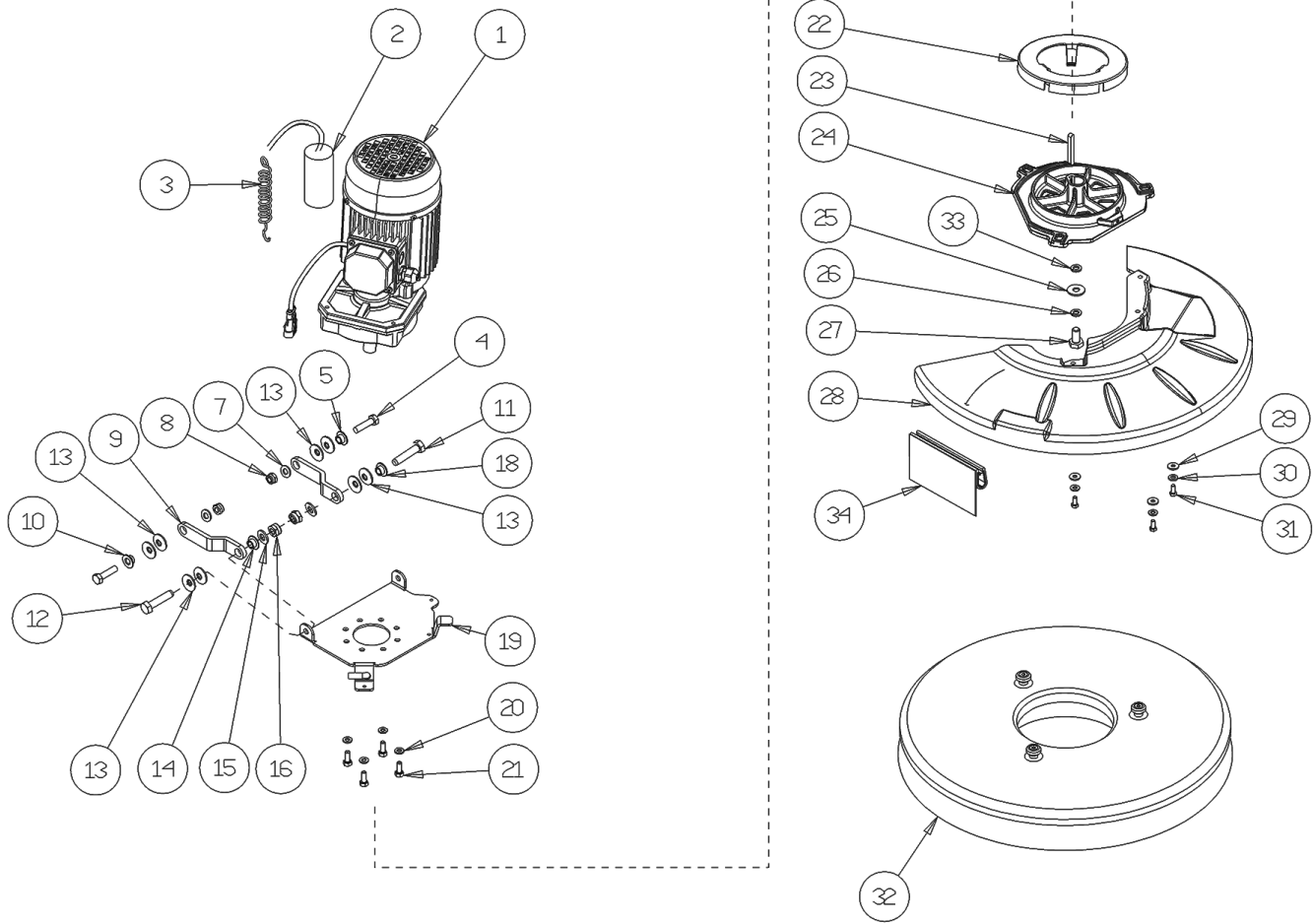
Ref. K	Part N.	Customer Part N.	Description	Qty	Validity:		Price
					From	To	
0001	MOMO00259		MOTOR CT30-CT45 230VAC 50-60HZ	1,00			--
0002	METT00090		GROUND PROTECT.60uF 300V	1,00		10/2013	--
0002	METT00092		GROUND PROTECT.CT30-CT45C	1,00	10/2013		--
0003	MLML00065		SPRING L0=80 De=12 Df=1.7	1,00			--
0004	VTVT00410		SCREW TE M8x35 UNI5739 INOX	2,00			--
0005	LAFN06391		BUSHING PARALLELOGRAMMA	1,00			--
0006	MPVR06963		THICKNESS -	2,00			--
0007	VTRS13947		WASHER D. 8 INX UNI 6592	2,00			--
0008	VTDD01695		NUT M 8 INX	2,00			--
0009	LAFN07910		BRACKET -	1,00			--
0010	LAFN06391		BUSHING PARALLELOGRAMMA	1,00			--
0011	VTVT13937		SCREW TE M 8X 30 INX UNI 5739	1,00			--
0012	VTVT15907		SCREW TE 8X25 UNI5739 INX	1,00			--
0013	MLML00095		DISC SPRINGS 12,2x25x0,9 DIN 2093	4,00			--
0014	LAFN51068		BUSHING LEVA POSTER.	1,00			--
0015	VTRS13947		WASHER D. 8 INX UNI 6592	2,00			--
0016	VTDD01695		NUT M 8 INX	2,00			--
0017	MLML00095		DISC SPRINGS 12,2x25x0,9 DIN 2093	2,00			--
0018	LAFN51068		BUSHING LEVA POSTER.	1,00			--
0019	LAFN08104		SUPPORT -	1,00			--
0020	VTRS15144		WASHER D. 6 INX GRW UNI 1751	4,00			--
0021	VTVT15906		SCREW TE 6X 12 A2 UNI 5739	4,00			--
0022	MPVR06045		CONVEYOR -	1,00			--
0023	VTVR16617		KEY 6X 6X30 UNI 6604	1,00			--
0024	MFVR00212		DRIVE DISK	1,00			--
0025	VTRS13946		WASHER D. 8 X24 INX UNI 6593	1,00			--
0026	VTRS15146		WASHER D. 8 INX GRW UNI 1751	1,00			--
0027	VTVT13938		SCREW TE 8X20 UNI5739 INX	1,00			--
0028	MPVR06243		COVERING CT45	1,00			--
0029	VTRS13750		WASHER D. 5X14 INX	3,00			--
0030	VTRS15908		WASHER D. 5 INX GRW UNI 1751	3,00			--
0031	VTVT01300		SCREW TE M5X12 INOX	3,00			--
0032	SPPV01332		BRUSH D.500 NYLON	1,00			--



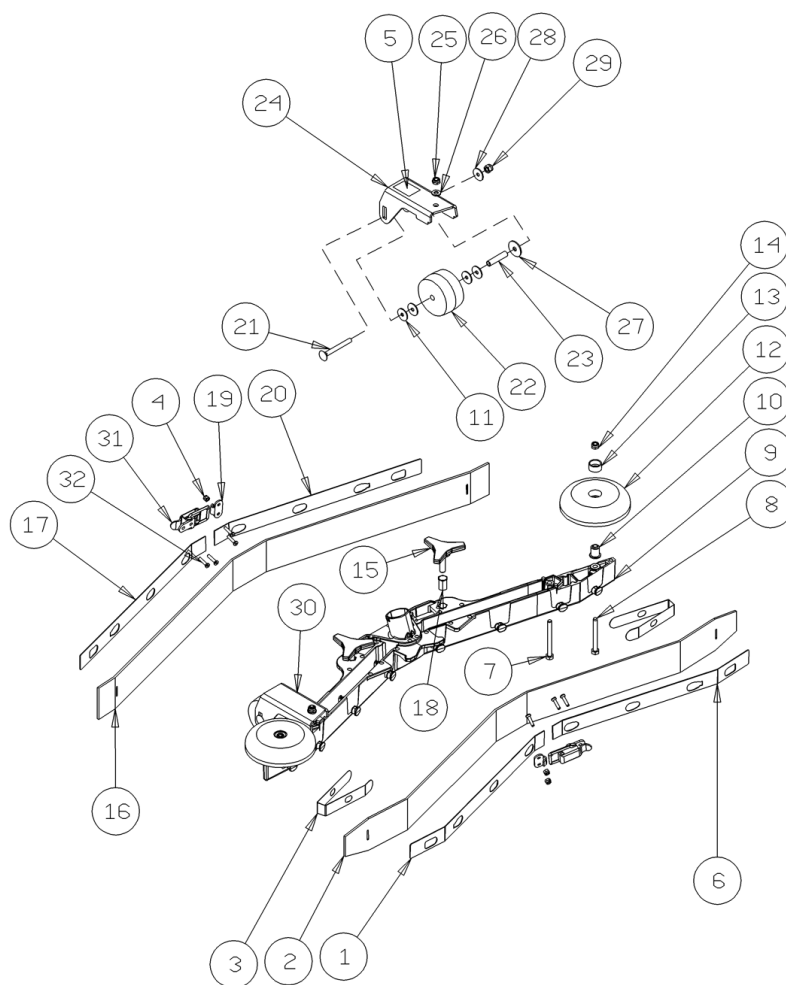
Ref. K	Part N.	Customer Part N.	Description	Qty	Validity:		Price
					From	To	
0001	MPVR06046		CRANKCASE NEW HANDLE FRONT 15-30-45	1,00			--
0002	MECB01257		CABLE RIBBON CT15	1,00		11/2015	--
0002	MECB01396		WIRING	1,00	11/2015		--
0003	MECE00537		BOARD LOGIC CT15-CT30 230V	1,00			--
0004	ETET01781		LABEL -	1,00			--
0005	MPVR06048		LEVER SX	1,00			--
0006	MLML00336		SPRING -	1,00			--
0007	MPVR06298		SUPPORT ELECTRONIC CARD	1,00			--
0008	MPVR06049		LEVER DX	1,00			--
0009	MECI36393		MICROSWITCH TRZ. DRW	1,00			--
0010	MPVR06050		LEVER ADJUSTMENT	1,00			--
0011	LAFN09221		LEVER RINVIO	1,00			--
0012	MLML00337		SPRING -	1,00			--
0013	MPVR06052		HANDLE SUPPORT	1,00			--
0014	MPVR06055		COVER -	1,00			--
0015	MPVR06054		SHELL SX	1,00			--
0016	MPVR06057		FAIR-LEAD -	1,00			--
0017	MPVR06056		GEAR -	1,00			--
0018	MPVR06053		SHELL DX	1,00			--
0019	MPVR06055		COVER -	1,00			--
0020	VTVT01371		SCREW 4,8X19	14,00			--
0021	LAFN09222		BRACKET -	1,00			--
0022	VTVT48694		SCREW TCB TC 5 X12 UNI 9707 TZ	4,00			--
0023	MPVR34714		CABLE SUPPORT E 350	1,00			--
0024	VTRS00230		WASHER D. 8	1,00			--
0025	VTVT63035		SCREW TCEI M8X25 BRUNITA	1,00			--
0026	VTVT00800		SCREW TC 4X12 ZN	1,00	09/2014		--
0027	VTRS00251		WASHER 4-16 INOX A2	1,00	09/2014		--
0028	CMCV00364		CABLE -	1,00	09/2014		--
0029	MPVR49942		LEVER SQUEEGEE LIFTING PP	1,00	09/2014		--
0030	VTVT00796		SCREW TC 6X12	1,00	09/2014		--
0031	LAFN09248		PIN -	1,00	09/2014		--
0032	ETET01770		LABEL CT15	1,00			--
0032	ETET01773		LABEL CT15	1,00			--
0032	ETET01775		LABEL CT15	1,00			--
0033	ETET01770		LABEL CT15	1,00			--
0033	ETET01773		LABEL CT15	1,00			--
0033	ETET01775		LABEL CT15	1,00			--
0034	ETET01769		LABEL CT15	1,00			--



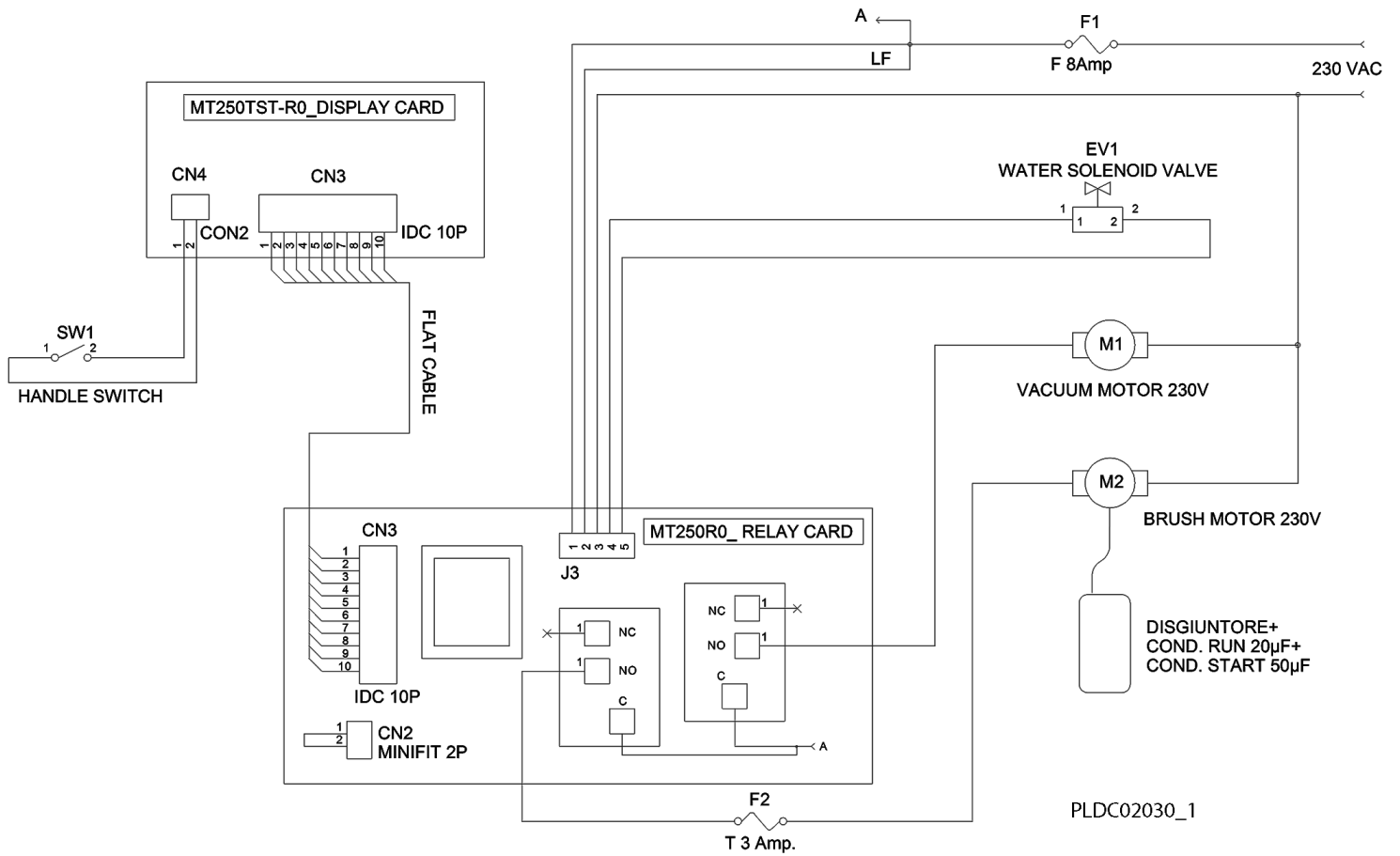
Ref. K	Part N.	Customer Part N.	Description	Qty	Validity:		Price
					From	To	
0034	ETET01772		LABEL CT15	1,00			--
0034	ETET01774		LABEL CT15	1,00			--
0035	LAFN11049		HOOK -	1,00	04/2016		--
0036	MPVR06047		CRANKCASE -	1,00			--



Ref. K	Part N.	Customer Part N.	Description	Qty	Validity:		Price
					From	To	
0001	MOMO00259		MOTOR CT30-CT45 230VAC 50-60HZ	1,00			--
0002	METT00092		GROUND PROTECT.CT30-CT45C	1,00			--
0003	MLML00065		SPRING L0=80 De=12 Df=1.7	1,00			--
0004	VTVT00410		SCREW TE M8x35 UNI5739 INOX	2,00			--
0005	LAFN94013		BUSHING -	1,00			--
0007	VTRS13947		WASHER D. 8 INX UNI 6592	2,00			--
0008	VTDD01695		NUT M 8 INX	2,00			--
0009	LAFN94012		ARM -	2,00			--
0010	LAFN94013		BUSHING -	1,00			--
0011	VTVT13937		SCREW TE M 8X 30 INX UNI 5739	1,00			--
0012	VTVT15907		SCREW TE 8X25 UNI5739 INX	1,00			--
0013	MLML00095		DISC SPRINGS 12,2x25x0,9 DIN 2093	8,00			--
0014	LAFN51068		BUSHING LEVA POSTER.	1,00			--
0015	VTRS13947		WASHER D. 8 INX UNI 6592	2,00			--
0016	VTDD01695		NUT M 8 INX	2,00			--
0018	LAFN94013		BUSHING -	1,00			--
0019	LAFN08104		SUPPORT -	1,00			--
0020	VTRS15144		WASHER D. 6 INX GRW UNI 1751	4,00			--
0021	VTVT15906		SCREW TE 6X 12 A2 UNI 5739	4,00			--
0022	MPVR06045		CONVEYOR -	1,00			--
0023	VTVR16617		KEY 6X 6X30 UNI 6604	1,00			--
0024	MFVR00212		DRIVE DISK	1,00			--
0025	VTRS13946		WASHER D. 8 X24 INX UNI 6593	1,00			--
0026	VTRS15146		WASHER D. 8 INX GRW UNI 1751	1,00			--
0027	VTVT13938		SCREW TE 8X20 UNI5739 INX	1,00			--
0028	MPVR06243		COVERING CT45	1,00			--
0029	VTRS13750		WASHER D. 5X14 INX	3,00			--
0030	VTRS15908		WASHER D. 5 INX GRW UNI 1751	3,00			--
0031	VTVT01300		SCREW TE M5X12 INOX	3,00			--
0032	SPPV01332		BRUSH D.500 NYLON	1,00			--
0033	VTRS13947		WASHER D. 8 INX UNI 6592	1,00	11/2014		--
0034	MPVR06072		FLAP -	1,00			--



Ref. K	Part N.	Customer Part N.	Description	Qty	Validity:		Price
					From	To	
0001	LAFN09275		SHEET METAL PA.-	1,00			--
0002	MPVR06287		BLADE XS 3MM LATEX	1,00			--
0003	MPVR05897		CLOSURE S	2,00			--
0004	VTDD00210		NUT M 3 AUTOBL.DIN 985 IX.A2	8,00			--
0005	ETET01817		LABEL -	2,00			--
0006	LAFN09276		SHEET METAL PA.-	1,00			--
0007	VTVT17342		SCREW TE M 6X 60 UNI 5739 INX	2,00			--
0008	VTVT00655		SCREW TE M. 6-55	2,00			--
0009	MFVR00143		BODY SQUEEGEE PRESSOFUSO	1,00			--
0010	LAFN04100		SPACER PER RUOTINO PARACOLPI	2,00			--
0011	VTRS00274		WASHER NYLON 66 D.8,4-17-2 UNI	4,00			--
0012	MPVR06105		SMALL WHEEL -	2,00			--
0013	MPVR49229		BUSHING SHK	2,00			--
0014	VTDD01694		NUT M6 INOX	2,00			--
0015	MPVR06004		KNOB AISI 304	2,00			--
0016	MPVR06288		BLADE XS 3MM LATEX	1,00			--
0017	LAFN09277		SHEET METAL PA.-	1,00			--
0018	VTVR00567		INSERT -	2,00			--
0019	LAFN09301		SOCKET -	2,00			--
0020	LAFN09278		SHEET METAL PA.-	1,00			--
0021	VTVT01206		SCREW M6X55	2,00			--
0022	RTRT00398		WHEEL -	2,00			--
0023	LAFN07589		SPACER -	2,00			--
0024	LAFN09217		SUPPORT SX	1,00			--
0025	VTDD01694		NUT M6 INOX	2,00			--
0026	VTRS00245		WASHER D.6 UNI 6592 INOX	2,00			--
0027	VTRS16937		WASHER 6x24 INOX UNI 6593	2,00			--
0028	VTRS13945		WASHER D. 6X18 INX UNI 6593	2,00			--
0029	VTDD15518		NUT M 6 INX	2,00			--
0030	LAFN09216		SUPPORT DX	1,00			--
0031	LAFN09302		CLOSURE -	2,00			--
0032	VTVT01070		SCREW TSTC M3X8	8,00			--



Ref.	K	Part N.	Customer Part N.	Description	Qty	Validity:		Price
						From	To	
EV1		PMVR01989		SOLENOID VALVE CT30 230Vac	1,00			--
F1		MEVR02047		FUSE 8A 6,3X32 GLASS	1,00			--
F2		MEVR02092		FUSE 4A RITARDATO	1,00			--
M1		MOMO00243		MOTOR ASPIRATORE	1,00			--
M2		MOMO00248		MOTOR CT30 230V	1,00			--
SW1		MERL00013		SWITCH -	1,00			--