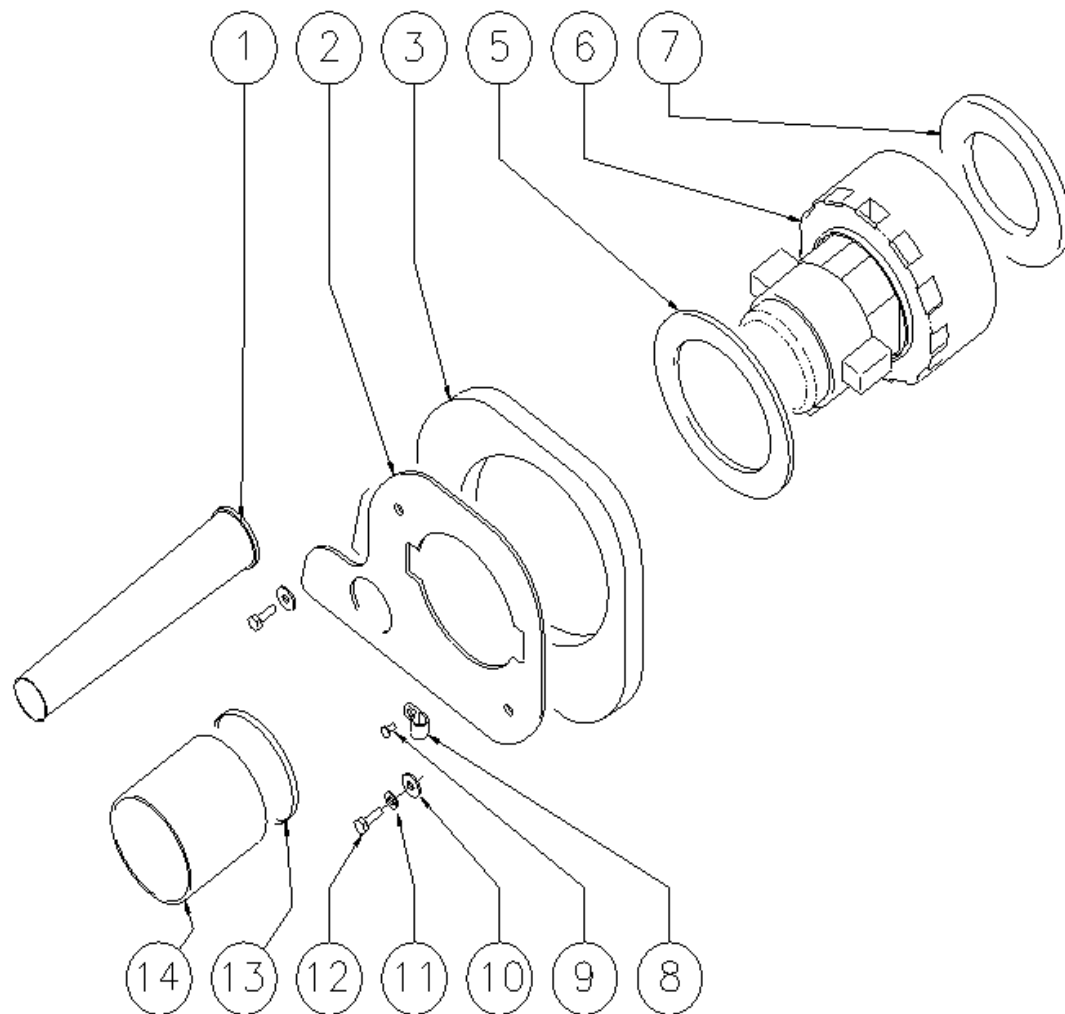


# Spare Parts List

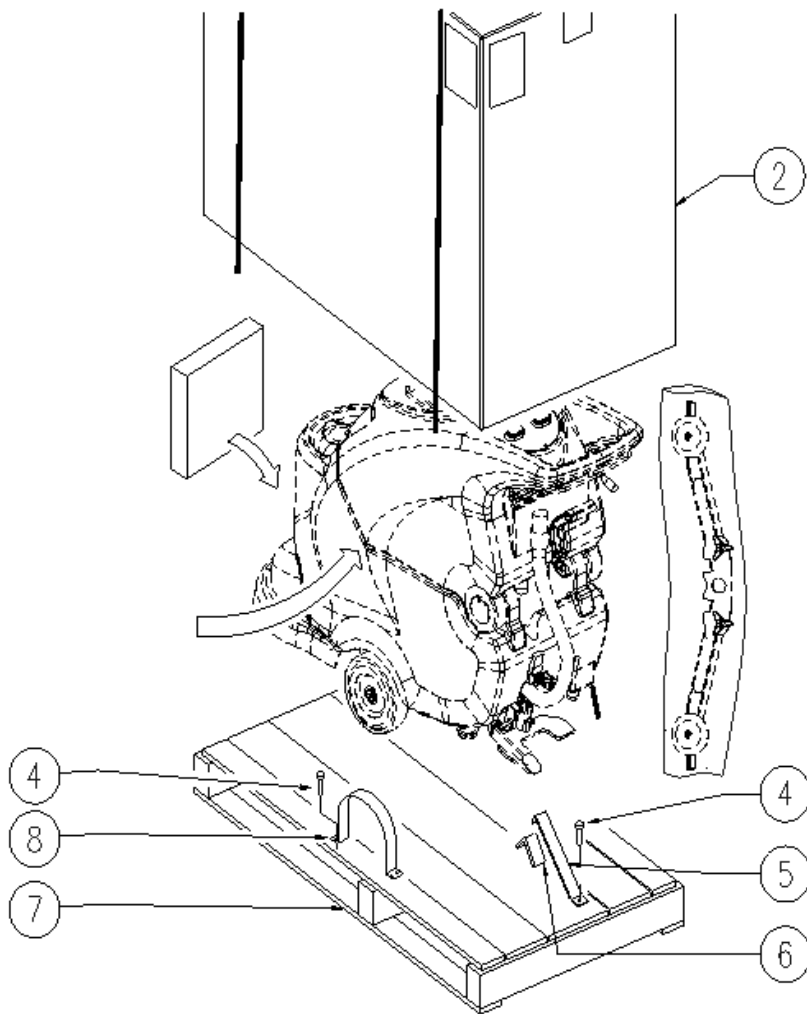


Ref: LPTB01418

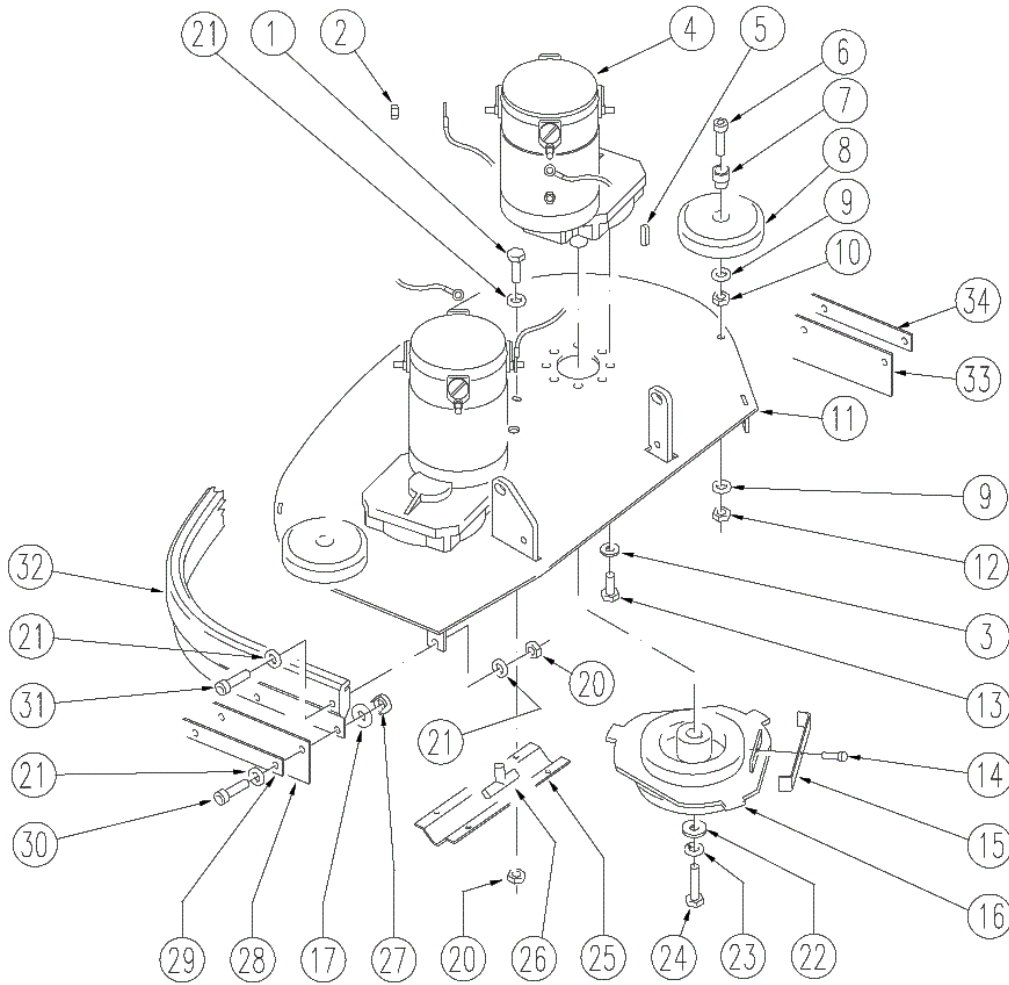
Model: CT70 BT70 GR/VE 2012



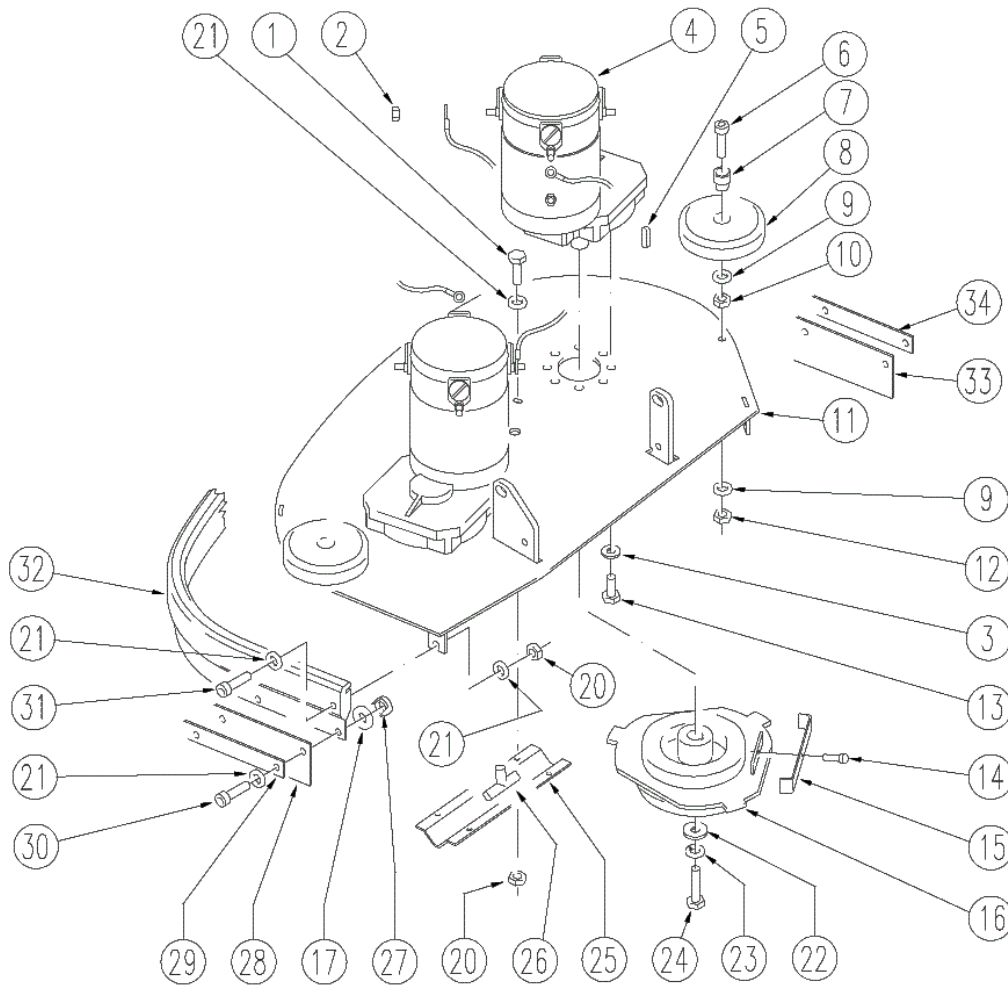
Ref.	K	Part N.	Customer Part N.	Description	Qty	Validity:		Price
						From	To	
0001		MPVR05259		TUBE SCARICO	1,00	06/2007		--
0001		TBFX00244		TUBE D 34 L200MM	1,00		06/2007	--
0002		LAFN06363		FLANGE ASPIRATORE	1,00			--
0003		MPVR05103		SOUND-PROOFING ASPIRATORE	1,00			--
0005		MPVR04724		FLANGE IN NYLON	1,00			--
0006		MEVR05200		CARBON MOTORE ASP.AMET.116599-13	2,00			--
0006		MOCC00253		MOTOR ASPIR.BIST.24V	1,00		11/2008	--
0006		MOCC00349		MOTOR VACUUM 2 STAGES 24V	1,00	11/2008		--
0007		GUGO00272		GASKET VACUUM MOTOR CT	1,00			--
0008		FSVR00099		CLAMP FERMATUBO	1,00			--
0009		VTVT00813		SCREW M 4X 8 TCB-TC UNI 8112	1,00			--
0010		VTRS13945		WASHER D. 6X18 INX UNI 6593	2,00			--
0011		VTRS15144		WASHER D. 6 INX GRW UNI 1751	2,00			--
0012		VTVT15143		SCREW TE 6X16 UNI5739	2,00			--
0013		FSVR00118		CLAMP D.94	1,00	05/2007		--
0013		FSVR00500		CLAMP 80-100 INOX	1,00		04/2007	--
0014		TBFX00268		SUCTION HOSE D80 L=80MM	1,00		04/2007	--
0014		TBFX00312		TUBE ASPIRAZIONE	1,00	05/2007		--



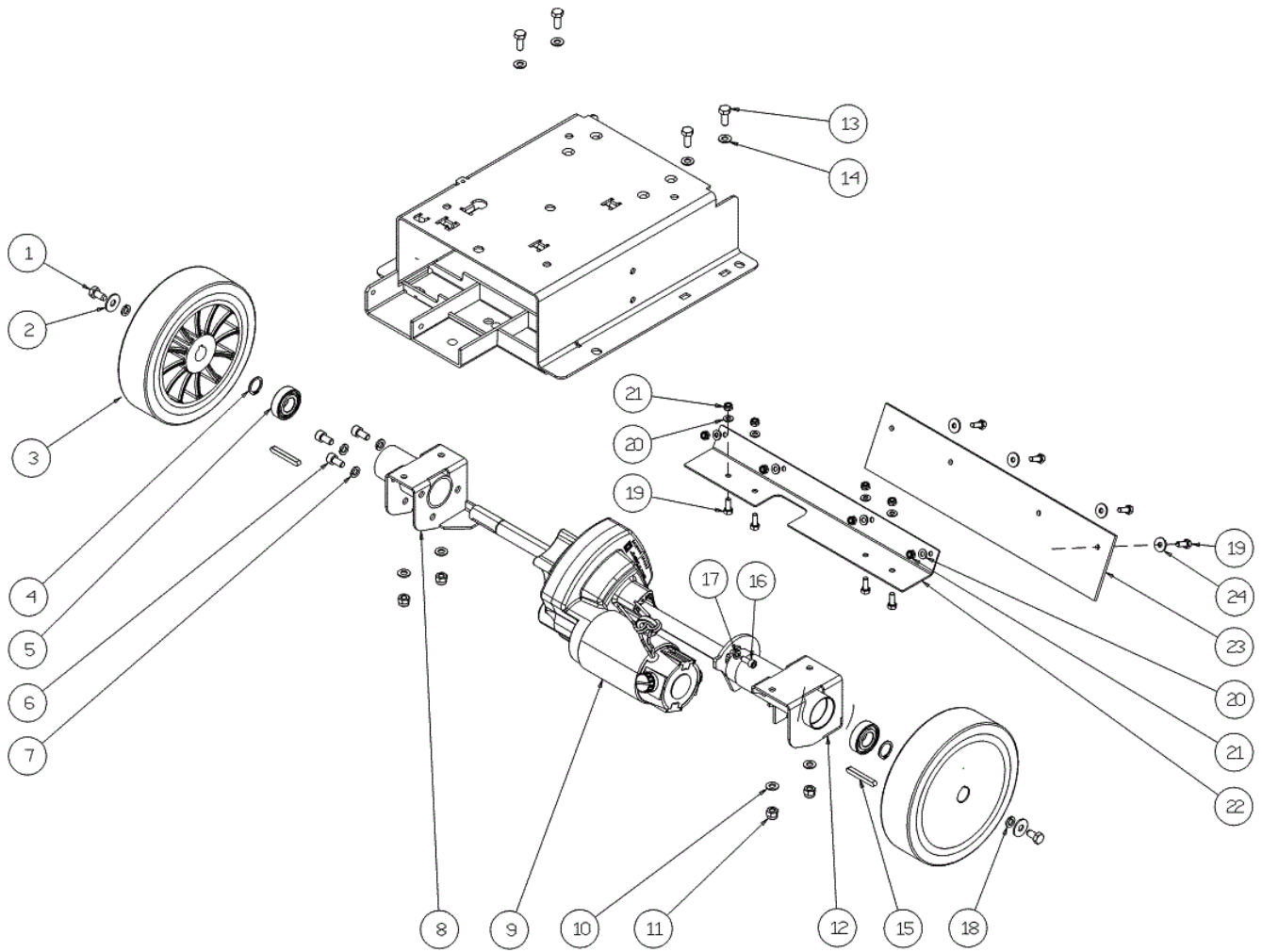
Ref.	K	Part N.	Customer Part N.	Description	Qty	Validity:		Price
						From	To	
0002		MICT00196		BOX	1,00			--
0004		VTVT00043		SCREW AUTOF.LEGNO 4,5X25 TS BR	9,00			--
0005		MIVR00137		CLAMP RUOTA POSTERIORE X IMBAL.	1,00			--
0006		GUGO00009		MOUSSE	0,05			--
0007		MIBA00054		PALLET Scrubber 40/62B/BF/A	1,00			--
0008		MIVR00135		CLAMP RUOTA POSTERIORE X IMBAL.	2,00			--



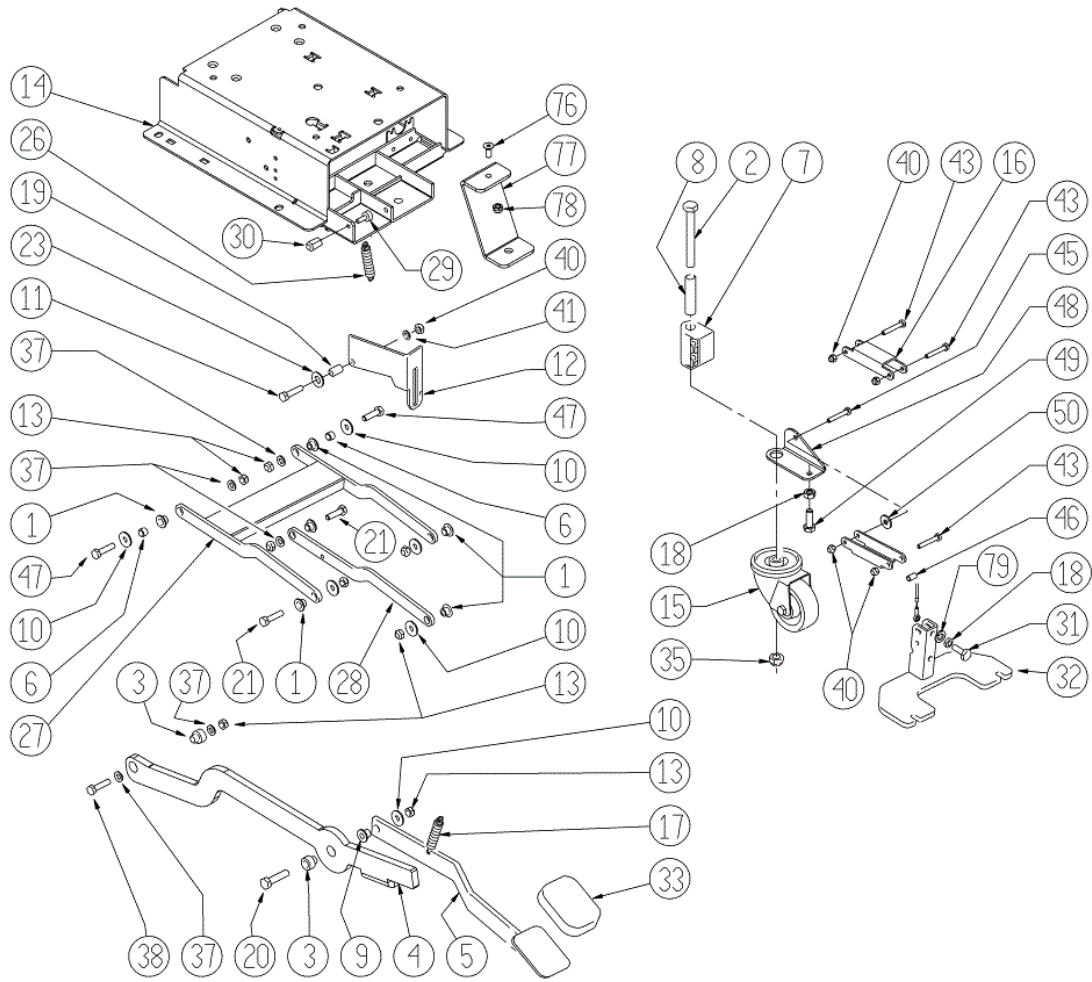
Ref. K	Part N.	Customer Part N.	Description	Qty	Validity:		Price
					From	To	
0001	VTVT15143		SCREW TE 6X16 UNI5739	4,00			--
0002	VTDD13942		NUT M 6 UNI 5587 INX	4,00			--
0003	VTRS15144		WASHER D. 6 INX GRW UNI 1751	18,00			--
0004	MOCC00315		MOTOR MRP6 1/10 210G/ 24V W300	2,00		06/2008	--
0004	MOCC00328		MOTOR GEARBOX BRUSH 24V 380W	2,00	06/2008		--
0004	MOCC00344		BRUSH -	4,00			--
0005	VTVR21944		KEY 6X6X30	2,00			--
0006	VTVT00775		SCREW TCEI M 8X40 ZC.BK UNI5931	2,00		06/2009	--
0006	VTVT06241		SCREW 8X40	2,00	06/2009		--
0007	LAFN03915		BUSHING NUOVO RUOTINO STRONG	2,00			--
0008	MPVR05290		ROLLER PARACOLPI	2,00	04/2008		--
0008	RTRT43370		CASTER D.100 2V.	2,00		04/2008	--
0009	VTRS13947		WASHER D. 8 INX UNI 6592	4,00			--
0010	VTDD15521		NUT M 8 INX A2 UNI 5588	2,00			--
0011	LAFN06723		PLATE -	1,00	07/2011	03/2012	--
0011	LAFN07949		HEAD 70	1,00	03/2012		--
0011	LAFN09088		HEAD 70	1,00		07/2011	--
0012	VTDD01695		NUT M 8 INX	2,00			--
0013	VTVT15906		SCREW TE 6X 12 A2 UNI 5739	14,00			--
0014	VTVT21887		SCREW TCB-TC 4X10 8112	2,00			--
0015	MLML00230		SPRING ANTISGANCIO 70 X FLANGIA	2,00		09/2007	--
0015	MLML00231		SPRING ANTISGANCIO 85 X FLANGIA	2,00	09/2007	06/2012	--
0015	MLML00328		SPRING -	2,00	06/2012		--
0016	MFVR00212		DRIVE DISK	2,00			--
0017	MPVR35582		RUBBER LAV.	8,00			--
0020	VTDD15518		NUT M 6 INX	9,00			--
0021	VTRS13945		WASHER D. 6X18 INX UNI 6593	22,00			--
0022	VTRS13946		WASHER D. 8 X24 INX UNI 6593	2,00			--
0023	VTRS15146		WASHER D. 8 INX GRW UNI 1751	2,00			--
0024	VTVT13938		SCREW TE 8X20 UNI5739 INX	2,00			--
0025	LAFN07236		DISTRIBUTOR 70	1,00			--
0027	VTDD00175		NUT M.6 TONDO FILET.4 PUNTE	8,00			--
0028	MPVR04746		FLAP 355X63 sp.4	2,00		03/2012	--
0028	MPVR05534		FLAP	1,00	03/2012		--
0029	MPVR05207		SHEET METAL PA.FLAP	2,00		03/2012	--
0029	MPVR05535		FLAP PRESS	1,00	03/2012		--
0030	VTVT15143		SCREW TE 6X16 UNI5739	8,00			--
0031	VTVT00392		SCREW M6x35 UNI5739 inox	5,00			--
0032	MPVR05232		BUMPER -	1,00		03/2012	--



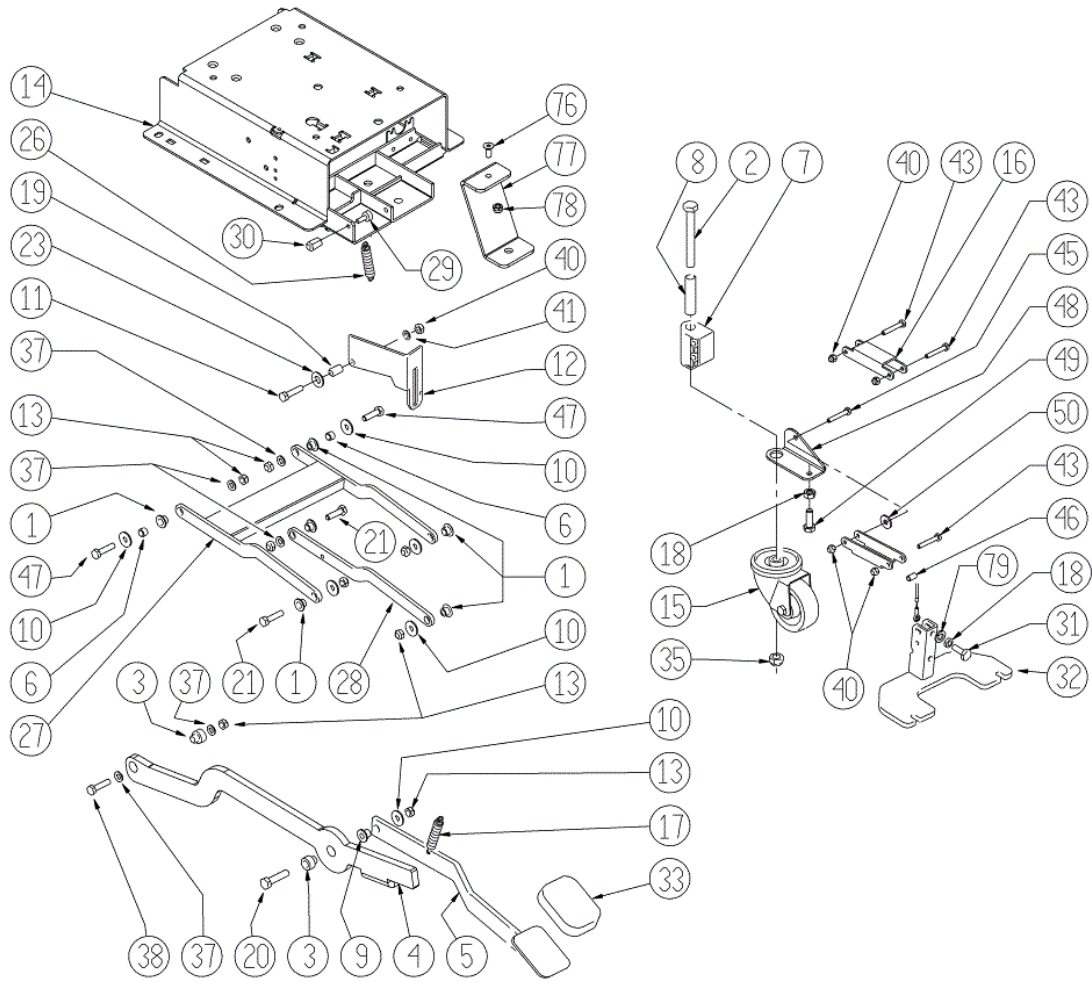
Ref. K	Part N.	Customer Part N.	Description	Qty	Validity:		Price
					From	To	
0032	MPVR06224		BUMPER -	1,00	03/2012		--
0033	MPVR05270		FLAP DX	1,00	03/2012		--
0034	MPVR05269		FLAP FLAP	1,00	03/2012		--



Ref.	K	Part N.	Customer Part N.	Description	Qty	Validity:		Price
						From	To	
0001		VTVT15916		SCREW TE M 8X 16 UNI 5739 A2	2,00			--
0002		VTRS13946		WASHER D. 8 X24 INX UNI 6593	2,00			--
0003		RTRT00524		WHEEL -	2,00		05/2010	--
0003		RTRT00529		WHEEL D200	2,00	05/2010	06/2012	--
0003		RTRT00546		WHEEL D.200	2,00	06/2012		--
0004		VTAE06193		CIRCLIP D. 20 UNI 7435	2,00			--
0005		CUVR00083		BEARING 6004 2RS H SKF	2,00	09/2011	04/2013	--
0005		CUVR00190		BEARING 6004	2,00	04/2013		--
0005		CUVR19846		BALL BEARING 6004 2RS1	2,00		09/2011	--
0006		VTVT00876		SCREW TCEI M.8-16	3,00			--
0007		VTRS15146		WASHER D. 8 INX GRW UNI 1751	3,00			--
0008		LAFN07811		SUPPORT -	1,00			--
0009		MOCC00022		CARBON X MOT.COD.MOCC86902	2,00			--
0009		MOCC00373		MOTOR -	1,00		10/2010	--
0009		MOCC00395		MOTOR TRACTION 24V 200W 150G	1,00	10/2010		--
0010		VTRS13947		WASHER D. 8 INX UNI 6592	4,00			--
0011		VTDD01695		NUT M 8 INX	4,00			--
0012		LAFN07813		SUPPORT -	1,00			--
0013		VTVT15916		SCREW TE M 8X 16 UNI 5739 A2	4,00			--
0014		VTRS13947		WASHER D. 8 INX UNI 6592	4,00			--
0015		VTVR00566		KEY 6X10X40	2,00	06/2012		--
0015		VTVR33668		KEY 6x 6x40 UNI 6604A	2,00		06/2012	--
0016		VTVT00717		SCREW TCEI M. 6-16	2,00			--
0017		VTRS15144		WASHER D. 6 INX GRW UNI 1751	2,00			--
0018		VTRS15144		WASHER D. 6 INX GRW UNI 1751	2,00			--
0019		VTVT15143		SCREW TE 6X16 UNI5739	8,00	07/2012		--
0020		VTRS00245		WASHER D.6 UNI 6592 INOX	8,00	07/2012		--
0021		VTDD01694		NUT M6 INOX	8,00	07/2012		--
0022		LAFN07951		BRACKET CT40-90	1,00	07/2012		--
0023		MPVR06230		FLAP CT40 CT70-90	1,00	07/2012		--
0024		VTRS13945		WASHER D. 6X18 INX UNI 6593	4,00	07/2012		--

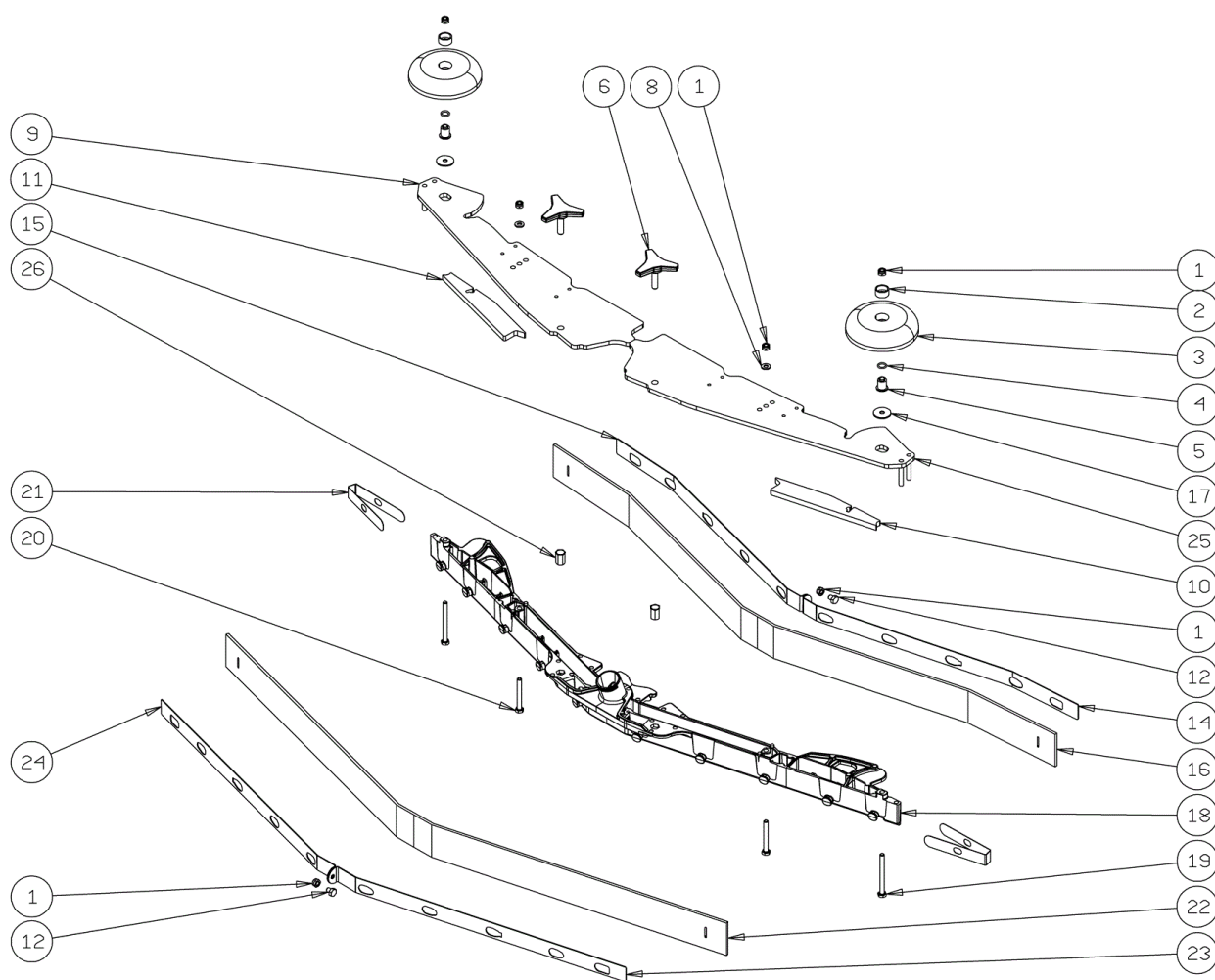


Ref.	K	Part N.	Customer Part N.	Description	Qty	Validity:		Price
						From	To	
0001		LAFN06391		BUSHING PARALLELOGRAMMA	6,00			--
0002		VTVT24212		SCREW TE M 12X100 UNI 5737 INOX	1,00			--
0003		LAFN04190		BUSHING PARALLELOGR.TEST.GR.	2,00			--
0004		LAFN07593		BRACKET LIFTING BRUSH HEAD	1,00			--
0005		LAFN07602		LEVER -	1,00		06/2013	--
0005		LAFN09270		PEDALE -	1,00	07/2013		--
0006		RCDS34717		BUSHING D. 9X12X 8.3	2,00			--
0007		MPVR04734		BLOCK TERGI	1,00			--
0008		LAFN09006		PIN -	1,00			--
0009		LAFN51068		BUSHING LEVA POSTER.	1,00			--
0010		VTRS13946		WASHER D. 8 X24 INX UNI 6593	6,00			--
0011		VTVT00161		SCREW TE M6X20	1,00			--
0012		LAFN10124		PLATE -	1,00			--
0013		VTDD01695		NUT M 8 INX	8,00			--
0014		LAFN07606		BASE -	1,00			--
0015		RTRT00395		WHEEL CASTOR D.80X25 PU	1,00	08/2012		--
0015		RTRT00518		WHEEL CASTOR D.80X30	1,00		08/2012	--
0016		LAFN05853		LEVER ARM SOLLEVAMENTO TERGI	2,00			--
0017		MLML34726		SPRING TR E350 N	1,00			--
0018		VTDD15521		NUT M 8 INX A2 UNI 5588	2,00			--
0019		LAFN03840		BUSHING -	1,00			--
0020		VTVT15917		SCREW TE M 8X50 INOX A2 UNI	1,00			--
0021		VTVT15907		SCREW TE 8X25 UNI5739 INX	3,00			--
0023		VTRS00274		WASHER NYLON 66 D.8,4-17-2 UNI	1,00			--
0026		MLML00303		SPRING REGISTRAZIONE FLAP	1,00			--
0027		LAFN07563		ARM -	1,00			--
0028		LAFN06389		ARM PARALLELOGRAMMA	1,00			--
0029		MPVR75799		FOOT 20x9 M 6x18	1,00			--
0030		VTVR00215		CARRYNG BAG	1,00			--
0031		VTVT00410		SCREW TE M8x35 UNI5739 INOX	1,00			--
0032		LAFN07560		PLATE -	1,00			--
0033		MPVR05186		COVER -	1,00			--
0035		VTDD00176		NUT M.12 INOX A2 BASSO AUTOB.	1,00			--
0037		VTRS13947		WASHER D. 8 INX UNI 6592	4,00			--
0038		VTVT00429		SCREW TE M 8X 40 INX UNI 5737	1,00			--
0040		VTDD01694		NUT M6 INOX	5,00			--
0041		VTRS00245		WASHER D.6 UNI 6592 INOX	1,00			--
0043		VTVT01683		SCREW TE 6X40	4,00			--
0045		VTVT01684		SCREW TE 6X45	1,00			--

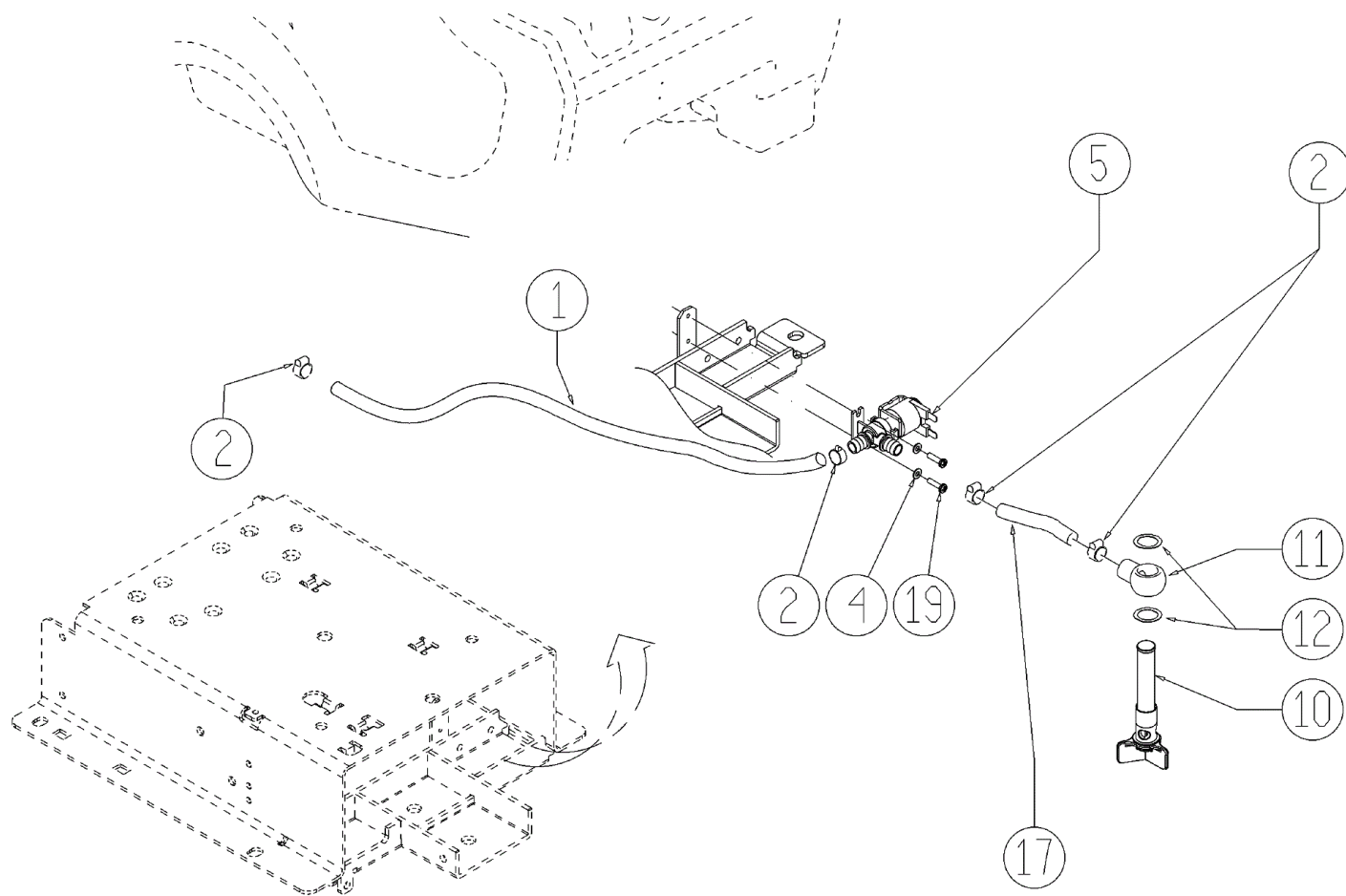


Ref. K	Part N.	Customer Part N.	Description	Qty	Validity:		Price
					From	To	
0046	LAFN06898		SPACER 6-8 h15	1,00			--
0047	VTVT13937		SCREW TE M 8X 30 INX UNI 5739	2,00			--
0048	LAFN08999		BRACKET -	1,00			--
0049	VTVT13938		SCREW TE 8X20 UNI5739 INX	1,00			--
0050	VTRS13945		WASHER D. 6X18 INX UNI 6593	1,00			--
0076	VTVT00224		SCREW	1,00			--
0077	LAFN06860		BRACKET CT70	1,00			--
0078	VTDD01695		NUT M 8 INX	1,00			--
0079	VTRS15146		WASHER D. 8 INX GRW UNI 1751	1,00	03/2013		--

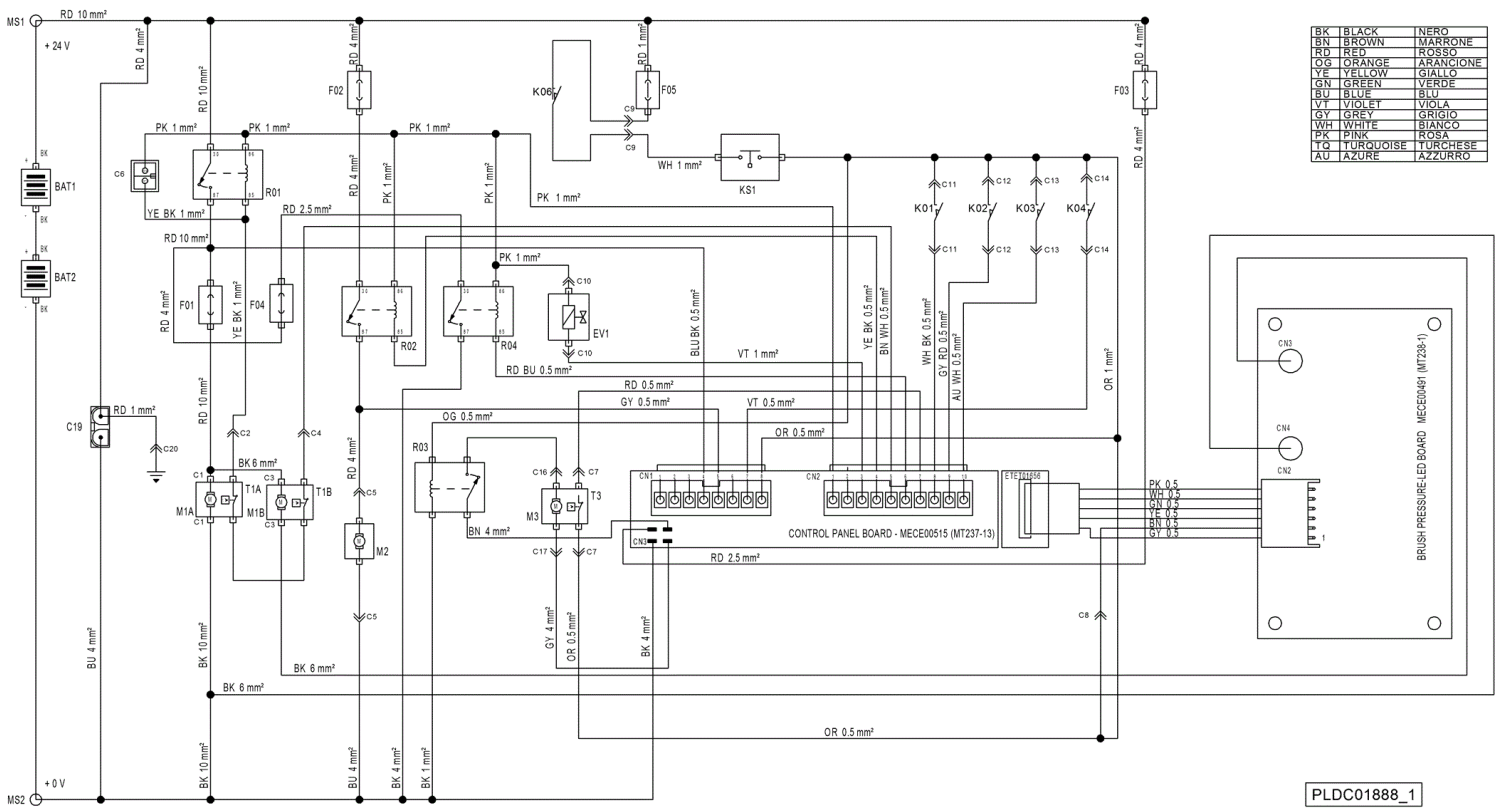




Ref.	K	Part N.	Customer Part N.	Description	Qty	Validity:		Price
						From	To	
0001		VTDD01694		NUT M6 INOX	6,00			--
0002		MPVR49229		BUSHING SHK	2,00			--
0003		MPVR05290		ROLLER PARACOLPI	2,00			--
0004		GUGO00164		GASKET	2,00			--
0005		LAFN04100		SPACER PER RUOTINO PARACOLPI	2,00			--
0006		MPVR06003		KNOB AISI 304	2,00		03/2013	--
0006		MPVR06004		KNOB AISI 304	2,00	03/2013		--
0008		VTRS00245		WASHER D.6 UNI 6592 INOX	2,00			--
0009		LAFN09014		PLATE -	1,00			--
0010		GUVR00303		GASKET -	1,00			--
0011		GUVR00302		GASKET -	1,00			--
0012		VTVT01161		SCREW M6x8	2,00			--
0014		LAFN08952		BRACKET -	1,00			--
0015		LAFN08953		BRACKET -	1,00			--
0016		MPVR05804		RUBBER FRONT SQUEEGEE L PU	1,00			--
0017		VTRS16937		WASHER 6x24 INOX UNI 6593	2,00			--
0018		KTRI02049		BODY SQUEEGEE PRESSOFUSO "L"	1,00			--
0019		VTVT00841		SCREW TE M 6X65 UNI 5739 INX	2,00			--
0020		VTVT15515		SCREW TE M 6X 50 INOX A2	2,00			--
0021		MPVR05898		CLOSURE L	2,00			--
0022		MPVR05806		RUBBER REAR SQUEEGEE L PU	1,00			--
0023		LAFN08954		BRACKET -	1,00			--
0024		LAFN08955		BRACKET -	1,00			--
0025		LAFN09015		PLATE -	1,00			--
0026		VTVR00565		INSERT -	2,00			--



Ref.	K	Part N.	Customer Part N.	Description	Qty	Validity:		Price
						From	To	
0001		TBFX48011		TUBE FLEX D.12X3 ARMORV.PVC TR	0,71			--
0002		FSVR00428		CLAMP D. 12-20	4,00			--
0004		VTRS00515		WASHER D. 4 INX	2,00			--
0005		MEEV00036		SOLENOID VALVE HOLE 8mm CLEANTIME	1,00			--
0010		MPVR05221		FILTER COMPLETO	1,00		02/2013	--
0010		MPVR06303		FILTER CT40-70-90	1,00	02/2013		--
0011		LAFN07783		CONNECTOR -	1,00			--
0012		VTRS00567		WASHER 1/2	2,00			--
0017		TBFX48011		TUBE FLEX D.12X3 ARMORV.PVC TR	0,17			--
0019		VTVT01158		SCREW M4x16	2,00			--



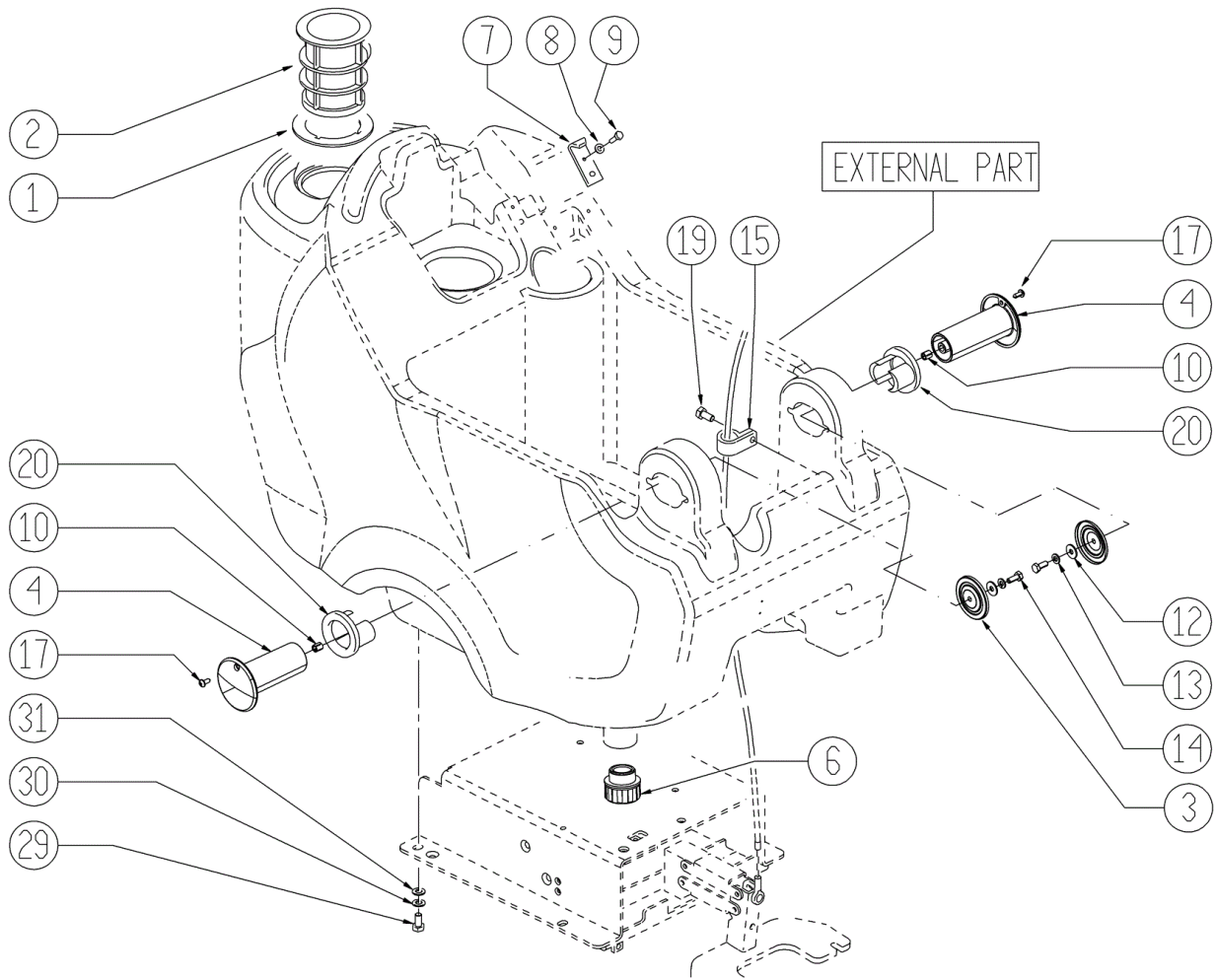
Ref.	K	Part N.	Customer Part N.	Description	Qty	Validity:		Price
						From	To	
EV1		MEEV00036		SOLENOID VALVE HOLE 8mm CLEANTIME	1,00			--
F01		MEVR02061		FUSE 80A	1,00			--
F02		MEVR02060		FUSE 40A	1,00			--
F03		MEVR02061		FUSE 80A	1,00			--
F04		MEVR02060		FUSE 40A	1,00			--
F05		MEVR01428		A LAMA 2 A. UNIVAL	1,00			--

COMPONENTS		
F01	FUSE- BRUSH MOTORS (80 A)	FUSIBILE SPAZZOLE POTENZA (80 A)
F02	FUSE-VACUUM MOTOR (40 A)	FUSIBILE ASPIRATORE POTENZA (40 A)
F03	FUSE-TRACTION MOTORS (80 A)	FUSIBILE MOTORE TRAZIONE (80 A)
F04	FUSE-BRUSHES RELEASE (40 A)	FUSIBILE SGANCIO SPAZZOLE (40 A)
F05	FUSE-CONTROL PANEL (2 A)	FUSIBILE PLANCIA (2 A)
R01	RELAY- BRUSH MOTORS	TELERUTTORE SPAZZOLE
R02	RELAY- VACUUM MOTOR	RELE' ASPITATORE
R03	RELAY- TRACTION MOTOR	RELE' MOTORE TRAZIONE
R04	RELAY- BRUSH RELEASE	RELE' SCANCIO SPAZZOLE
EV1	ELECTRO-VALVE	ELETTROVALVOLA ACQUA
KS1	GENERAL KEY	CHIAVE AVVIAMENTO
K01	SWITCH- HAND LEVER	INTERRUTTORE LEVA TRAZIONE
K02	SWITCH- RECOVERY TANK LEVEL (MAX)	LIVELLO TROPPO PIENO (N.O.)
K03	SWITCH- SOLUTION TANK LEVEL ( MIN )	LIVELLO MINIMO SERBATOIO (N.O.)
K04	SWITCH- FORWARD / REWARD	INTERRUTTORE MARCIA AVANTI INDIETRO
K06	SWITCH- BATTERY RECHARGE SAFETY	MICRO SICUREZZA RICARICA BATTERIE
M1A	MOTOR- BRUSH 1	MOTORE SPAZZOLA -1
M1B	MOTOR- BRUSH 2	MOTORE SPAZZOLA -2
M2	MOTOR- VACUUM	MOTORE ASPIRATORE
M3	MOTOR- TRACTION	MOTORE TRAZIONE
T1A	THERMIC SWITCH BRUSH MOTOR 1	TERMICA MOTORE SPAZZOLA -1
T1B	THERMIC SWITCH BRUSH MOTOR 2	TERMICA MOTORE SPAZZOLA -2
T3	THERMIC SWITCH TRACTION MOTOR	TERMICA MOTORE TRAZIONE

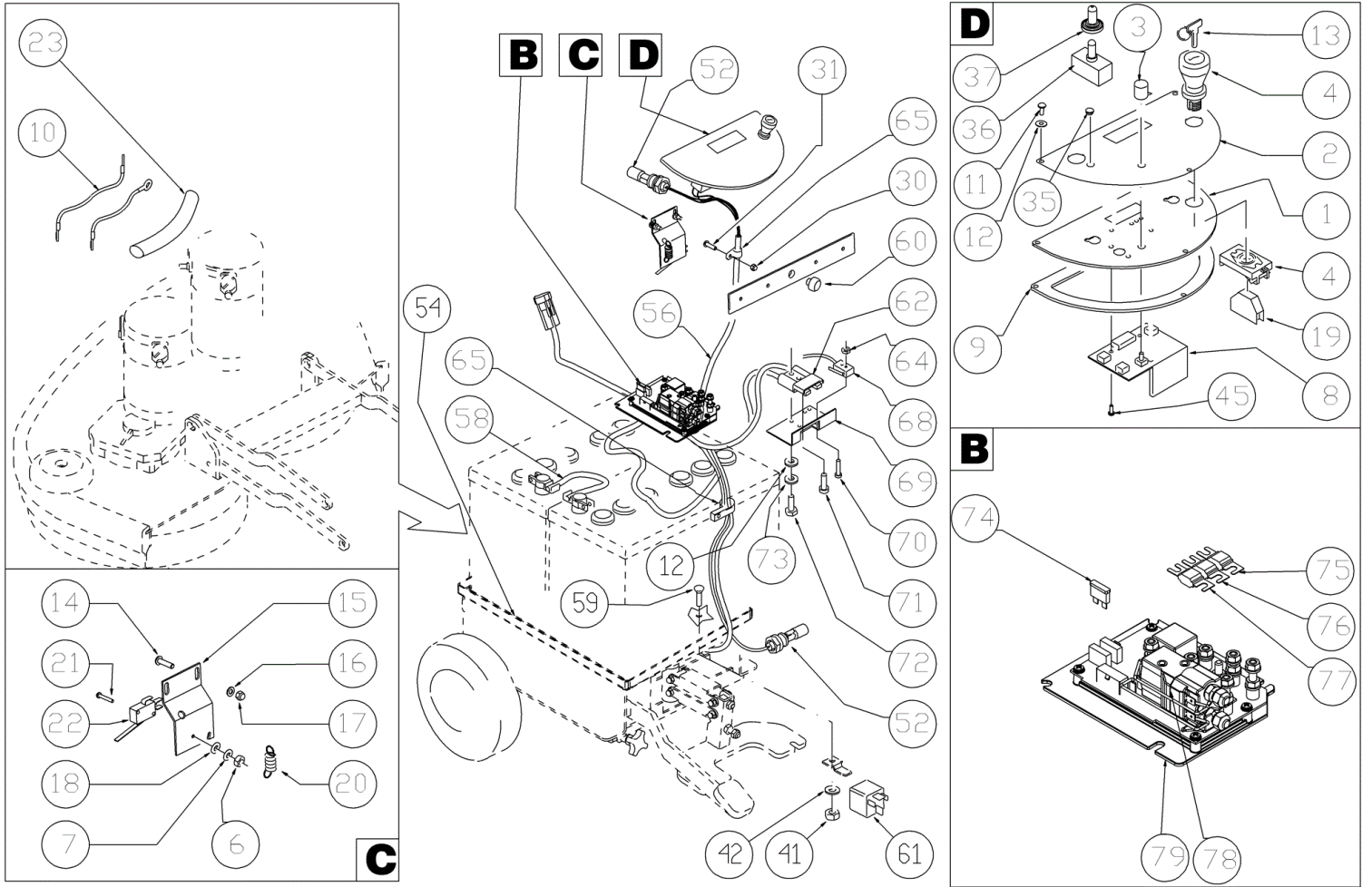
COMPONENTS		
MS1	CONNECTOR- BATTERY POSITIVE	MORSETTO BATTERIA POSITIVO
MS2	CONNECTOR- BATTERY NEGATIVE	MORSETTO BATTERIA NEGATIVO
C1	CONNECTOR- BRUSH MOTOR 1	CONN. MOTORE SPAZZOLA -1
C2	CONNECTOR- THERMIC SW. BRUSH MOTOR 1	CONN. TERMICA MOTORE SPAZZOLA -1
C3	CONNECTOR- BRUSH MOTOR 2	CONN. MOTORE SPAZZOLA -2
C4	CONNECTOR- THERMIC SW. BRUSH MOTOR 2	CONN. TERMICA MOTORE SPAZZOLA -2
C5	CONNECTOR- VACUUM MOTOR	CONN. MOTORE ASPIRAZIONE
C6	CONNECTOR- "CHEM DOSE" ACCESSORY	CONN. CHEM-DOS
C7	CONNECTOR THERMIC SWITCH-TRACTION MOTOR	CONN. TERMICA MOTORE TRAZIONE
C8	CONNECTOR- PRESSURE BOARD	CONN. POSITIVO SCHEDA PRESSIONE
C9	CONNECTOR- BATTERY RECHARGE SAFETY	CONN.SICUREZZA RICARICA BATTERIE
C10	CONNECTOR- BOARD/ ELECTROVALVE	CONN. E.V. H2O DA SCHEDA ELETTRONICA
C11	CONNECTOR- HAND LEVER	CONN. LEVA TRAZIONE
C12	CONNECTOR- RECOVERY TANK LEVEL (MAX)	CONN. LIVELLO TROPPO PIENO
C13	CONNECTOR- SOLUTION TANK LEVEL ( MIN )	CONN. LIVELLO MINIMO
C14	CONNECTOR- FORWARD / REWARD	CONN. SELETORE MARCIA
C15	CONNECTOR- EXTERNAL BATT.CHARGER	CONN. MICRO C.B. ESTERNO
C16	CONNECTOR- TRACTION MOTOR	CONN. MOTORE TRAZIONE
C17	CONNECTOR- TRACTION MOTOR	CONN. MOTORE TRAZIONE
C19	CONNECTOR- BATTERY RECHARGE	SPINA ANDERSON RICARICA BATTERIE
C20	RING TERMINAL Ø8	CAPICORDA CON OCCHIELLO Ø8
CN1	CONNECTOR- CONTROL PANEL BOARD	CONN. 1 SCHEDA PLANCIA
CN2	CONNECTOR- CONTROL PANEL BOARD	CONN. 2 SCHEDA PLANCIA
CN3	CONNECTOR- CONTROL PANEL BOARD	CONN. 3 SCHEDA PLANCIA
CN4	CONNECTOR- CONTROL PANEL BOARD	CONN. 4 SCHEDA PLANCIA

PLDC01888\_1

Ref.	K	Part N.	Customer Part N.	Description	Qty	Validity:		Price
						From	To	
EV1		MEEV00036		SOLENOID VALVE HOLE 8mm CLEANTIME	1,00			--
F01		MEVR02061		FUSE 80A	1,00			--
F02		MEVR02060		FUSE 40A	1,00			--
F03		MEVR02061		FUSE 80A	1,00			--
F04		MEVR02060		FUSE 40A	1,00			--
F05		MEVR01428		FUSE A LAMA 2 A. UNIVAL	1,00			--

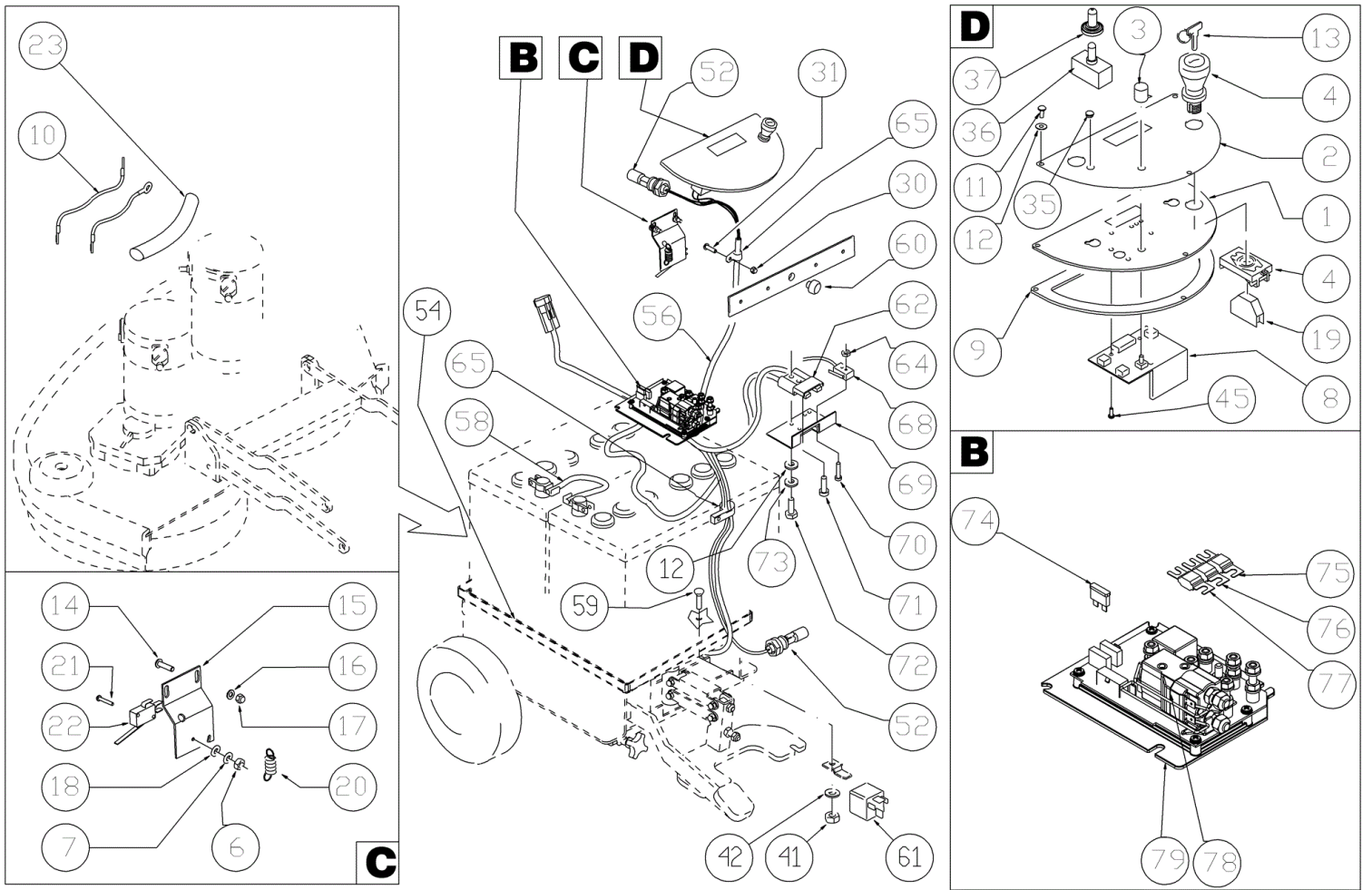


Ref. K	Part N.	Customer Part N.	Description	Qty	Validity:		Price
					From	To	
0001	GUGO00267		GASKET FILTRO	1,00			--
0002	FTAC00040		FILTER -	1,00			--
0003	LAFN07800		SHEET METAL PA.-	2,00			--
0004	MPVR48695		PIN SHK.BK	2,00			--
0006	MPVR08003		CAP	1,00			--
0007	LAFN06489		PLATE	1,00			--
0008	VTRS15144		WASHER D. 6 INX GRW UNI 1751	1,00			--
0009	VTVT01303		SCREW TE M6-10 INOX	1,00			--
0010	VTVR48693		INSERT M6 D.9	2,00			--
0012	VTRS13945		WASHER D. 6X18 INX UNI 6593	2,00			--
0013	VTRS15144		WASHER D. 6 INX GRW UNI 1751	2,00			--
0014	VTVT15143		SCREW TE 6X16 UNI5739	2,00			--
0015	MPVR02933		DUCT LOCK D.9,5	2,00			--
0017	VTVT48694		SCREW TCB TC 5 X12 UNI 9707 TZ	2,00			--
0019	VTVT15961		SCREW M 5X 16 TCB TC UNI 7687	1,00			--
0020	PMVR02028		RUBBER GRUPPO MONTAGGIO	2,00			--
0029	VTVT15916		SCREW TE M 8X 16 UNI 5739 A2	4,00			--
0030	VTRS00269		WASHER D. 8 DIN 6798-A INX A2	4,00			--
0031	VTRS13947		WASHER D. 8 INX UNI 6592	4,00			--

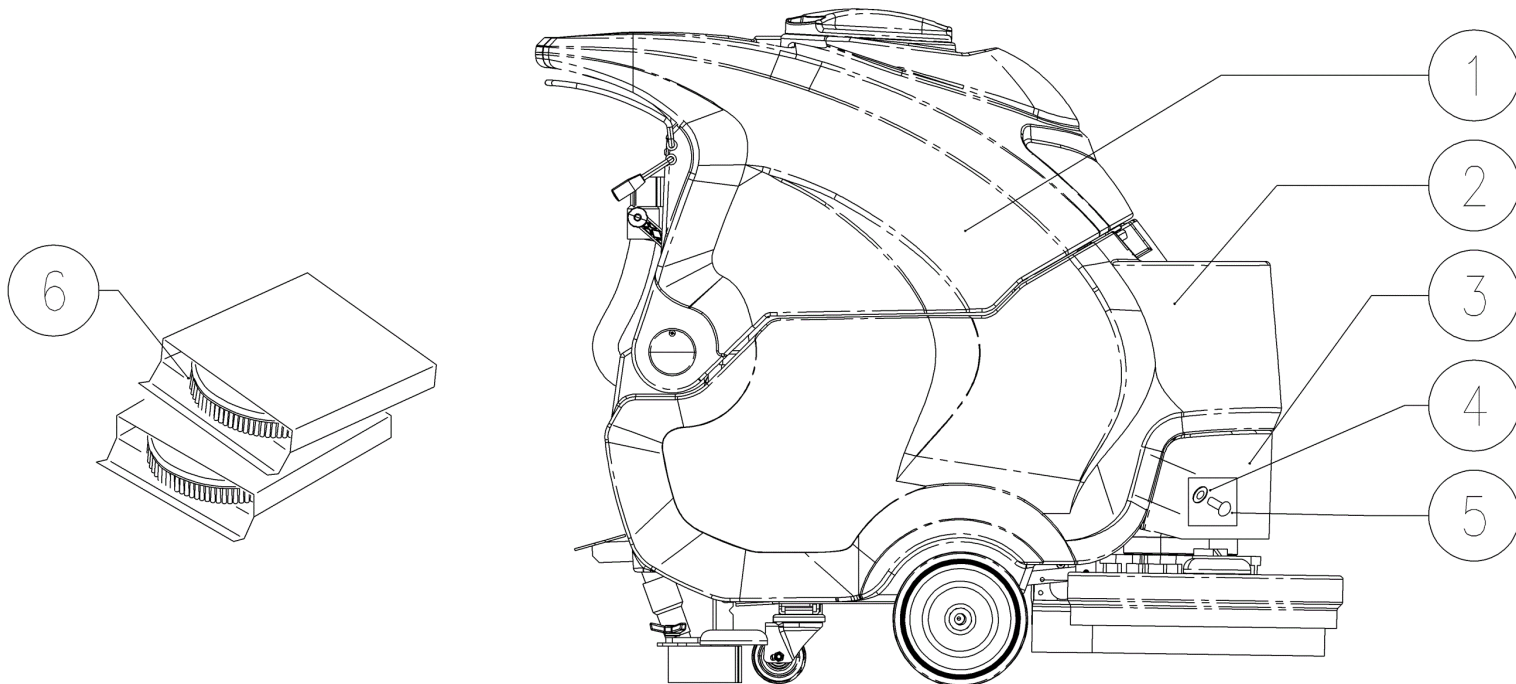


Ref.	K	Part N.	Customer Part N.	Description	Qty	Validity:		Price
						From	To	
0001	LAFN08989			SUPPORT -	1,00			--
0002	ETET01717			LABEL -	1,00			--
0003	MEVR01666			KNOB POTENTIOMETER	1,00			--
0004	MECI00402			BUTTON A FUNGO	1,00			--
0006	VTDD21115			NUT M 3 INOX	2,00			--
0007	VTRS00268			WASHER D.3	2,00			--
0008	MECB01329			BOARD BT CT70 H2O - NEW	1,00	04/2013		--
0008	MECE00474			BOARD CT70 EV	1,00		04/2013	--
0009	GUGO38417			GASKET PANN.COM.EXTREME	1,00			--
0011	VTVT37012			SCREW M 4X 10 TCB-TC INX	3,00			--
0012	VTRS00515			WASHER D. 4 INX	9,00			--
0013	CHVR00051			DIASSASS.SPANNERPULSANTE FUNGO	1,00			--
0014	VTVT07725			SCREW TE 5X16 UNI5739 INX	2,00			--
0015	LAFN05904			PLATE MICRO LEVA	1,00			--
0016	VTRS00516			WASHER D. 5 INX	2,00			--
0017	VTDD01693			NUT M 5 INX	4,00			--
0018	VTRS21116			WASHER D. 3 INX	2,00			--
0019	MECI00403			CONTACT -	1,00			--
0020	MLML34726			SPRING TR E350 N	1,00			--
0021	VTVT01316			SCREW TC+ M3-16	2,00			--
0022	MECI36393			MICROSWITCH TRZ. DRW	1,00			--
0030	VTDD15925			NUT M 4 INX	4,00			--
0031	VTVT00704			SCREW TE M 4X 16 UNI5739 INOX	6,00			--
0035	RCVR00164			CARRYNG BAG	1,00			--
0036	MECI30499			SWITCH 10A - 250VAC	1,00			--
0037	MEVR01975			RUBBER DEVIATORE	1,00			--
0041	VTDD01694			NUT M6 INOX	1,00			--
0042	VTRS00245			WASHER D.6 UNI 6592 INOX	1,00			--
0045	VTVT00722			SCREW	3,00			--
0052	MECI00516			SENSOR DI LIVELLO ORIZZONTALE	2,00			--
0054	LAFN35588			BATTERY SUPPORTLAV. BT	1,00			--
0056	MECB01302			WIRING CT40-70 BT	1,00		04/2013	--
0056	MECB01334			WIRING CT40-55-70 BT	1,00	04/2013		--
0058	MEVR34820			WIRING B 450 BT	1,00			--
0059	VTVT01676			SCREW TSTC UNI 7688 M6X16	1,00			--
0060	MPVR00043			CAP CHIUS.FORO PORTAFUS.L 15	1,00			--
0061	MECI00005			RELAY 24V 10/20A	1,00			--
0062	MEVR01707			CONNECTOR -	1,00			--
0064	VTDD08634			NUT M2	2,00			--



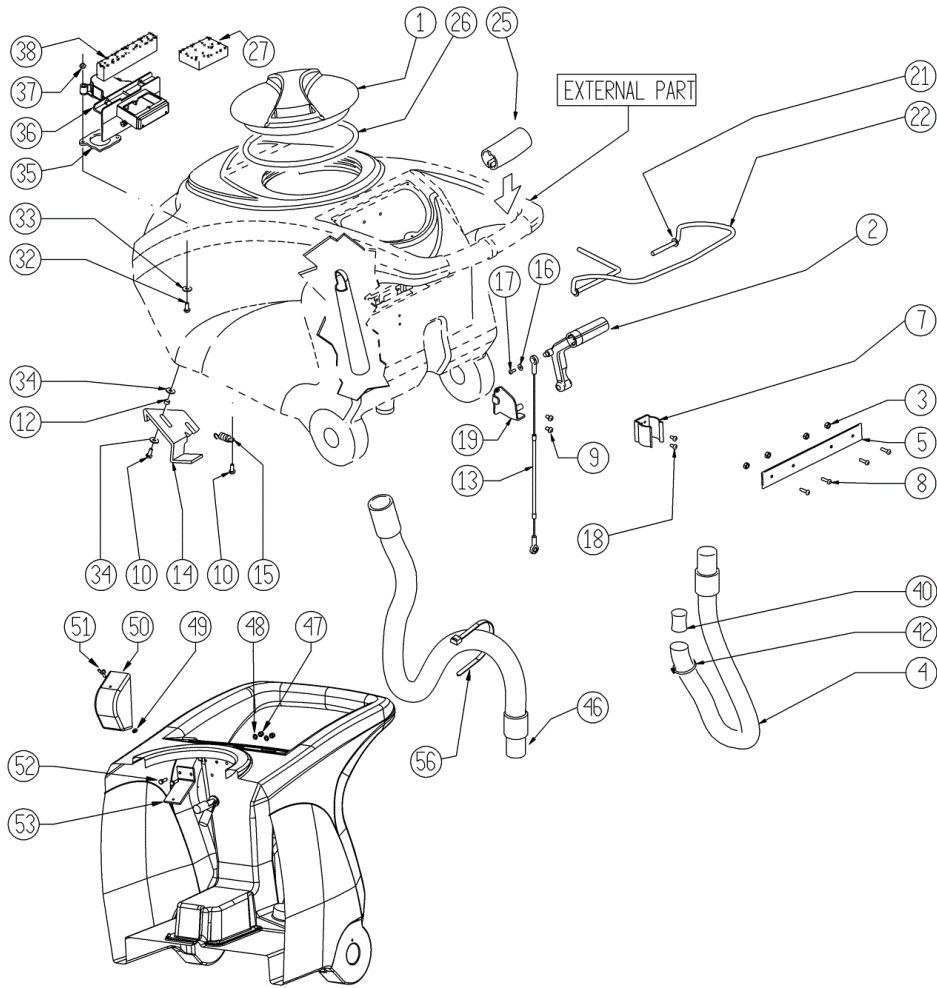


Ref.	K	Part N.	Customer Part N.	Description	Qty	Validity:		Price
						From	To	
0065		FSVR00099		CLAMP FERMATUBO	2,00			--
0068		MECI00334		MICROSWITCH V4	1,00			--
0069		LAFN06409		SUPPORT -	1,00			--
0070		VTVT00671		SCREW TC- M.2-16 OTTONE	2,00			--
0071		VTVT00872		SCREW TSP+ 2.9X13 AUTOFIL. INOX	1,00			--
0072		VTVT00814		SCREW TE M.4-25	2,00			--
0073		VTRS15913		WASHER D. 4 GROVER A2 UNI1751	2,00			--
0074		MEVR01428		FUSE A LAMA 2 A. UNIVAL	1,00			--
0075		MEVR02060		FUSE 40A	1,00			--
0076		MEVR02060		FUSE 40A	1,00			--
0077		MEVR02061		FUSE 80A	1,00			--
0078		METT00085		CONTACTOR 100A	1,00			--
0079		MECE00574		BOARD CT40-70-90	1,00			--

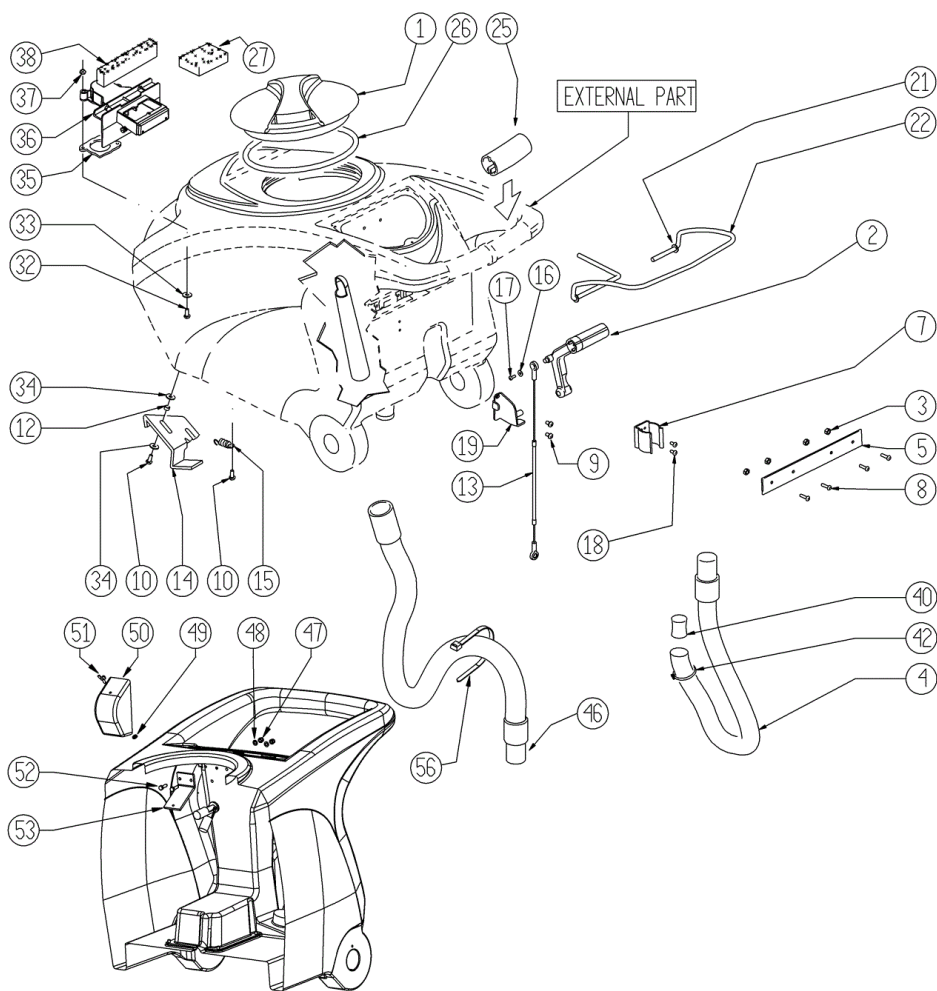


Ref.	K	Part N.	Customer Part N.	Description	Qty	Validity:		Price
						From	To	
0001		MPVR05929		TANK SOLUZIONE CT75	1,00			--
0002		MPVR05559		TANK SOLUTION CT70	1,00			--
0003		MPVR05356		COVER 60/70	1,00			--
0004		VTRS00516		WASHER D. 5 INX	4,00			--
0005		VTVT15961		SCREW M 5X 16 TCB TC UNI 7687	4,00			--
0006		SPPV47749		BRUSH NYLON 0.8 D.340 BT 7000	2,00			--





Ref. K	Part N.	Customer Part N.	Description	Qty	Validity:		Price
					From	To	
0001	MPVR04051		TANK CAP	1,00			--
0002	MPVR49942		LEVER SHK PP	1,00			--
0003	VTDD15518		NUT M 6 INX	4,00			--
0004	TBFX00348		TUBE CT40-70-90 HOSE DRAIN	1,00		04/2013	--
0004	TBFX00358		TUBE PU CT40/70/90	1,00	04/2013		--
0005	LAFN05865		PLATE COPRILEVA CONSENSO	1,00			--
0007	MPVR46988		CLIP LAV. SHK	1,00			--
0008	VTVT00651		SCREW TBEI M. 5x16 INOX	4,00			--
0009	VTVT15906		SCREW TE 6X 12 A2 UNI 5739	2,00			--
0010	VTVT15143		SCREW TE 6X16 UNI5739	3,00			--
0012	LAFN03626		SPACER	2,00			--
0013	CMCV00361		CABLE -	1,00			--
0014	LAFN06849		HANDLE CT 70	1,00			--
0015	MLML00203		SPRING	1,00			--
0016	VTRS00251		WASHER 4-16 INOX A2	1,00			--
0017	VTVT00800		SCREW TC 4X12 ZN	1,00			--
0018	VTVT21096		SCREW TE M 4X 10 INX	2,00			--
0019	LAFN05870		BRACKET LEVA SOLLEVAM. SQUEEGEE	1,00			--
0021	VTRS13947		WASHER D. 8 INX UNI 6592	2,00			--
0022	LAFN05861		LEVER CONSENSO SPAZZOLE	1,00			--
0025	MPVR05215		KNOB -	2,00			--
0026	GUGO00263		GASKET CIRCOLARE TAPPO	1,00			--
0027	FTDP00133		FILTER	1,00			--
0032	VTVT01139		SCREW TE M.4-25	2,00			--
0033	VTRS00515		WASHER D. 4 INX	2,00			--
0034	VTRS00274		WASHER NYLON 66 D.8,4-17-2 UNI	4,00			--
0035	GUGO00417		GASKET SCATOLA ASPIRAZIONE	1,00			--
0036	MPVR05482		BOX -	1,00			--
0037	VTDD15925		NUT M 4 INX	2,00			--
0038	GUGO00418		GASKET CONDOTTO ASPIRAZIONE	1,00			--
0040	GUGO00245		GASKET	1,00			--
0042	FSVR43136		CLAMP D. 35-40 DF.	1,00			--
0046	TBFX00353		TUBE PU CT70-CT90	1,00			--
0047	VTDD01693		NUT M 5 INX	2,00			--
0048	VTRS00516		WASHER D. 5 INX	2,00			--
0049	VTVR01038		WASHER -	1,00			--
0050	MPVR05596		PROTECTION -	1,00			--
0051	VTVT01150		SCREW 4x10	1,00			--
0052	VTVT07725		SCREW TE 5X16 UNI5739 INX	2,00			--



Ref.	K	Part N.	Customer Part N.	Description	Qty	Validity:		Price
						From	To	
0053		LAFN07631		BRACKET -	1,00			--
0056		FSVR00248		CLAMP -	1,00			--